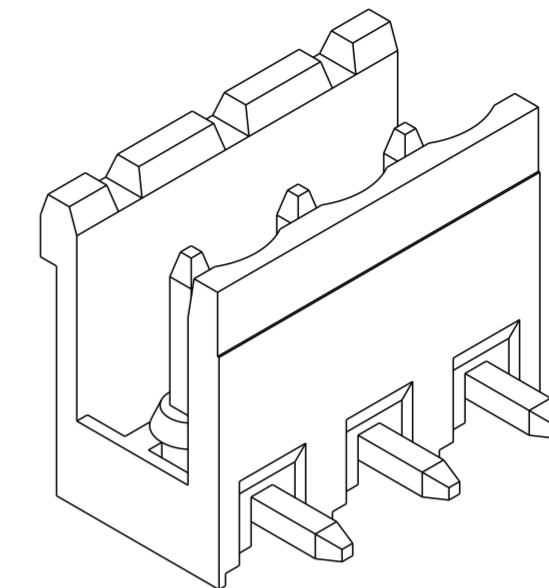
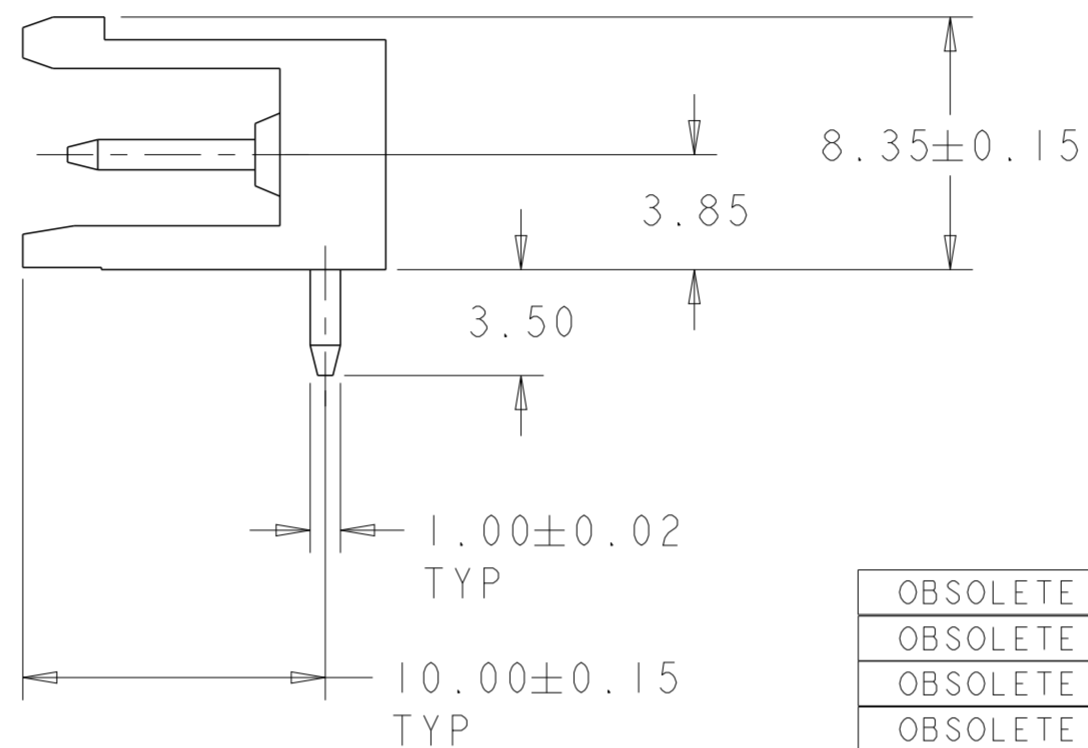
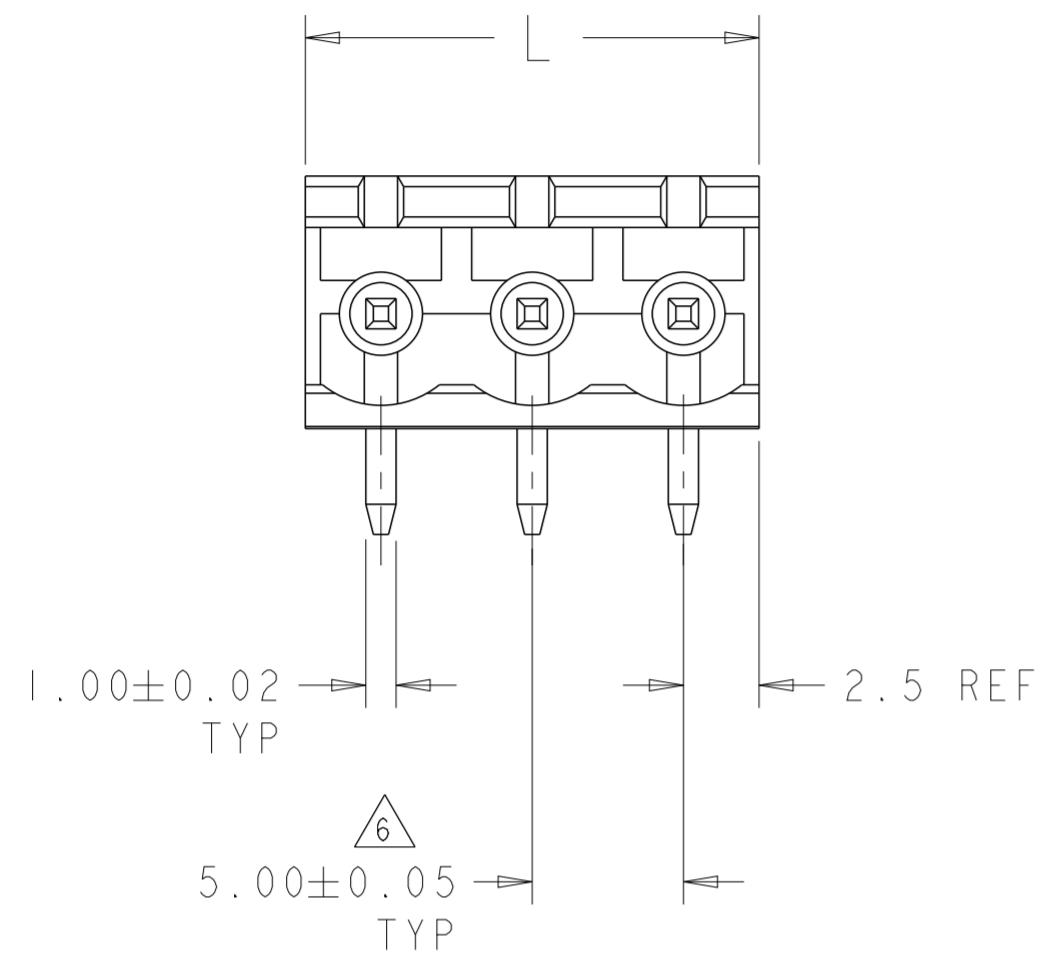


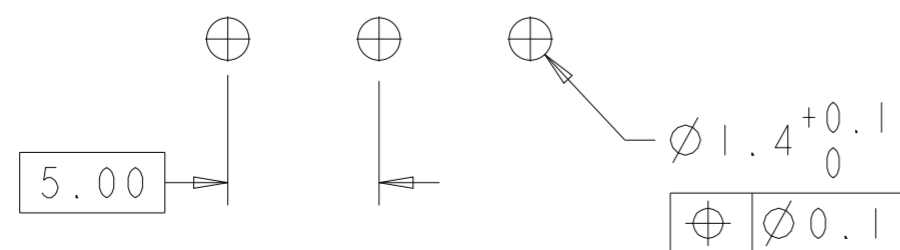
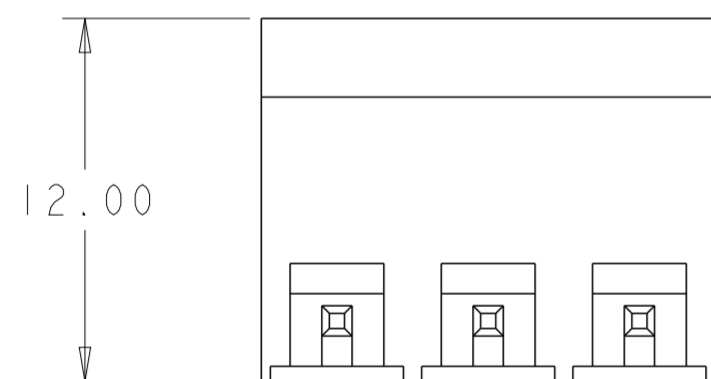
P	LTR	DESCRIPTION	DATE	DWN	APVD
D4		REVISED PER ECO-12-007964	02MAY2012	KH	MS
D5		3-7 AND 3-3 PART OBSOLETE	29AUG2020	DV	PS



282812-3 AS SHOWN

OBSOLETE	COLOR	PLATING	SPECIAL	NO OF POSN	PART NUMBER	
OBSOLETE	GREEN	MATTE TIN	-	15.0	3	<del>3-282812-7</del>
OBSOLETE	ORANGE	TIN	-	75.0	15	3-282812-6
OBSOLETE	ORANGE	TIN	-	65.0	13	3-282812-5
OBSOLETE	ORANGE	TIN	-	15.0	3	3-282812-4
OBSOLETE	GREEN	0.76um GOLD	-	15.0	3	<del>3-282812-3</del>
OBSOLETE	GREEN	TIN	SEE DETAIL M	55.0	11	<del>3-282812-1</del>
	GREEN	TIN	-	125.0	25	2-282812-5
	GREEN	TIN	-	120.0	24	2-282812-4
	GREEN	TIN	-	115.0	23	2-282812-3
	GREEN	TIN	-	110.0	22	2-282812-2
	GREEN	TIN	-	105.0	21	2-282812-1
	GREEN	TIN	-	100.0	20	2-282812-0
	GREEN	TIN	-	95.0	19	1-282812-9
	GREEN	TIN	-	90.0	18	1-282812-8
	GREEN	TIN	-	85.0	17	1-282812-7
	GREEN	TIN	-	80.0	16	1-282812-6
	GREEN	TIN	-	75.0	15	1-282812-5
	GREEN	TIN	-	70.0	14	1-282812-4
	GREEN	TIN	-	65.0	13	1-282812-3
	GREEN	TIN	-	60.0	12	1-282812-2
	GREEN	TIN	-	55.0	11	1-282812-1
	GREEN	TIN	-	50.0	10	1-282812-0
	GREEN	TIN	-	45.0	9	282812-9
	GREEN	TIN	-	40.0	8	282812-8
	GREEN	TIN	-	35.0	7	282812-7
	GREEN	TIN	-	30.0	6	282812-6
	GREEN	TIN	-	25.0	5	282812-5
	GREEN	TIN	-	20.0	4	282812-4
	GREEN	TIN	-	15.0	3	282812-3
	GREEN	TIN	-	10.0	2	282812-2
	COLOR	PLATING	SPECIAL	L	NO OF POSN	PART NUMBER

- 1. MATERIALS AND FINISH  
HOUSING: PA 6-6, UL 94-V0, COLOR: SEE TABLE.  
TERMINAL: COPPER ALLOY, SEE TABLE.
- 2. SUITABLE FOR 1,6-2,4mm PC BOARD THICKNESS.
- 3. END-TO-END STACKABLE WITHOUT LOSS OF CENTERLINE SPACING.
- 4. RECOGNIZED UNDER THE COMPONENT PROGRAM OF UNDERWRITERS LABORATORIES INC. FILE N° E60677.
- 5. IMO CERTIFICATE WITH SURVEILLANCE IN CONFORMITY WITH IEC 998-1/998-2-1.
- 6. NOT CUMULATIVE TOLERANCE.
- 7. BUCHANAN LOGO TO APPEAR ON HOUSING, LOCATION OPTIONAL WHERE SPACE PERMITS.
- 8. SELECTIVELY LOADED IN POSITIONS 1, 4, 5, 8 & 11.



RECOMMENDED PC BOARD LAYOUT

THIS DRAWING IS A CONTROLLED DOCUMENT.

DIMENSIONS: mm	TOLERANCES UNLESS OTHERWISE SPECIFIED:	DWN S. WELDON 12SEP2002	TE Connectivity NAME: TERMINAL BLOCK HEADER ASSEMBLY 90 DEGREE, OPEN ENDS, STACKING 5.00mm PITCH
		CHK C. RICHARD 12SEP2002	
		APVD C. RICHARD 12SEP2002	
		PRODUCT SPEC 108-20166	
MATERIAL	FINISH	APPLICATION SPEC 114-20079	SIZE: A2
		WEIGHT -	CAGE CODE: 00779
		CUSTOMER DRAWING	DRAWING NO: C-282812

RESTRICTED TO: SCALE 4:1 SHEET 1 OF 2 REV D5

4

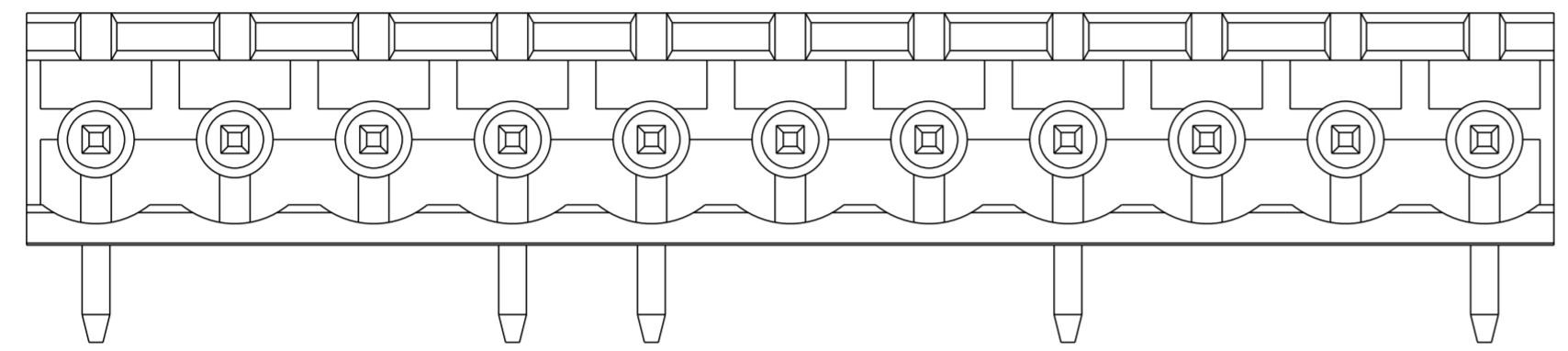
3

2

1

© 2020 TE Connectivity. All Rights Reserved.

REVISIONS				
P	LTR	DESCRIPTION	DATE	APVD
-		SEE SHEET 1	-	-



△  
DETAIL M

THIS DRAWING IS A CONTROLLED DOCUMENT.		DWN S. WELDON 12SEP2002		
DIMENSIONS: mm		CHK C. RICHARD 12SEP2002		
TOLERANCES UNLESS OTHERWISE SPECIFIED:		APVD C. RICHARD 12SEP2002	NAME TERMINAL BLOCK HEADER ASSEMBLY 90 DEGREE, OPEN ENDS, STACKING 5.00mm PITCH	
0 PLC ±- 1 PLC ±.2 2 PLC ±.25 3 PLC ±- 4 PLC ±- ANGLES ±2 FINISH		PRODUCT SPEC 108-20166	SIZE A2	CAGE CODE 00779
MATERIAL		APPLICATION SPEC 114-20079	DRAWING NO C-282812	RESTRICTED TO
		WEIGHT -	SCALE 3:1 SHEET 2 OF 2 REV D5	
		CUSTOMER DRAWING		

## X-ON Electronics

Largest Supplier of Electrical and Electronic Components

*Click to view similar products for [Pluggable Terminal Blocks](#) category:*

*Click to view products by [TE Connectivity](#) manufacturer:*

Other Similar products are found below :

[57.510.0053](#) [MC 1.5/ 6-ST-3.5 GY AU](#) [ET02015000J0G](#) [734-104](#) [734-302](#) [8-141-P](#) [8426620000](#) [860505](#) [860516](#) [860810](#) [GBPACX-12](#)  
[93.731.4953.0](#) [PV05-5,08-K](#) [PVP02-5,00](#) [PVP03-3,50](#) [PVP04-3,50](#) [PVS02-5,00](#) [1-1986160-3](#) [1377680000](#) [1531000000](#) [1546228-5](#)  
[ELFH16150](#) [ELFP03110](#) [ELFP10210](#) [ELFT06250](#) [ELVP03100](#) [1700101](#) [1700410](#) [1700425](#) [1702246](#) [1705229](#) [1710175](#) [1714537](#) [1717806](#)  
[1719600](#) [1728941](#) [1734692](#) [1734795](#) [1736036](#) [1740194](#) [1740291](#) [1740628](#) [1740990](#) [1746952](#) [1750207](#) [1752441](#) [1752865](#) [1754115](#)  
[1754144](#) [1756913](#)