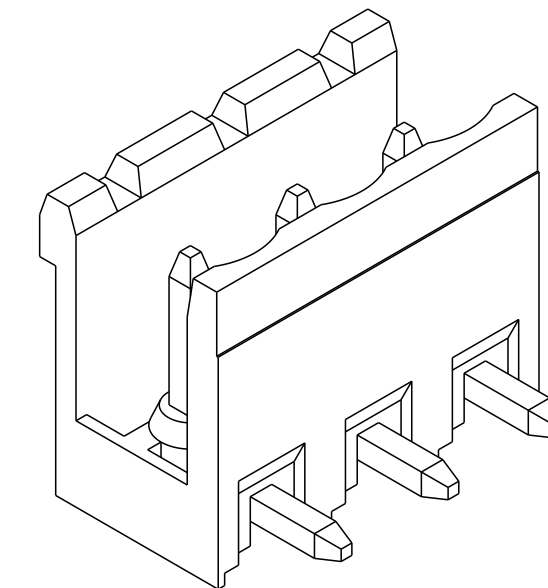
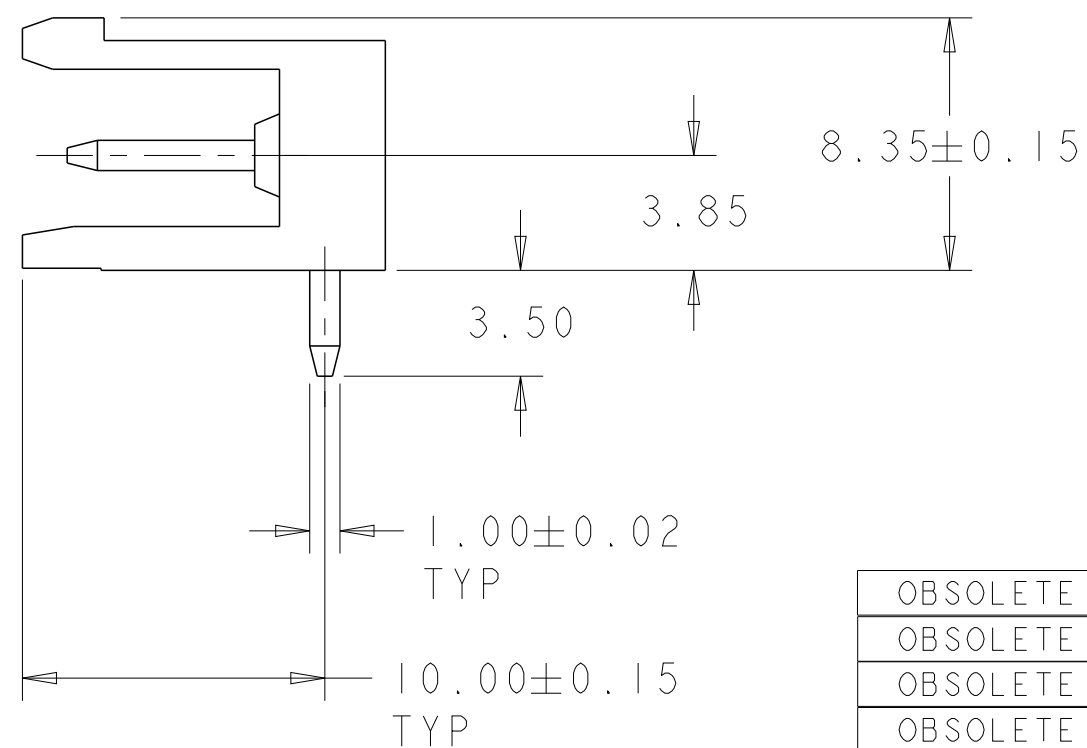
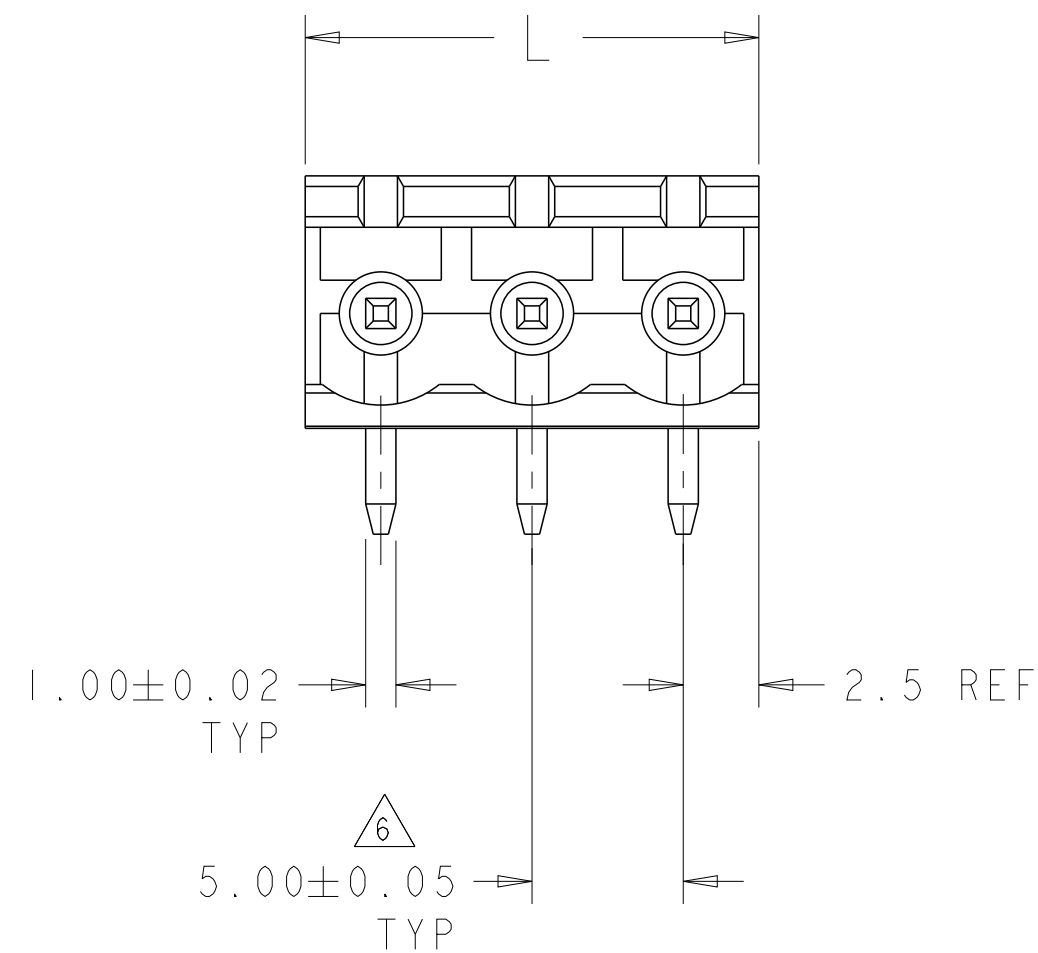
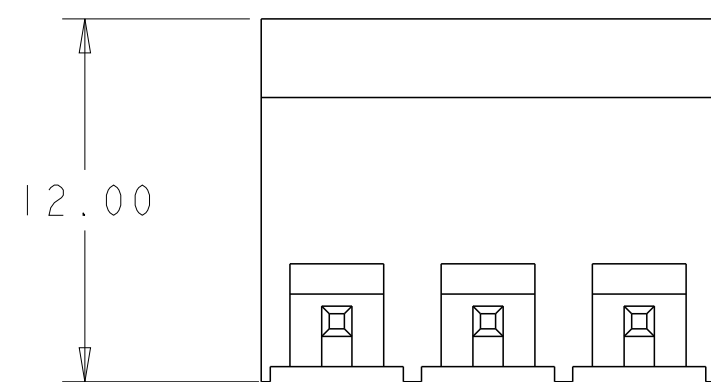


| REVISIONS | | | | | |
|-----------|-----|---------------------------|-----------|-----|------|
| P | LTR | DESCRIPTION | DATE | DWN | APVD |
| D4 | | REVISED PER ECO-12-007964 | 02MAY2012 | KH | MS |
| D5 | | 3-7 AND 3-3 PART OBSOLETE | 29AUG2020 | DV | PS |

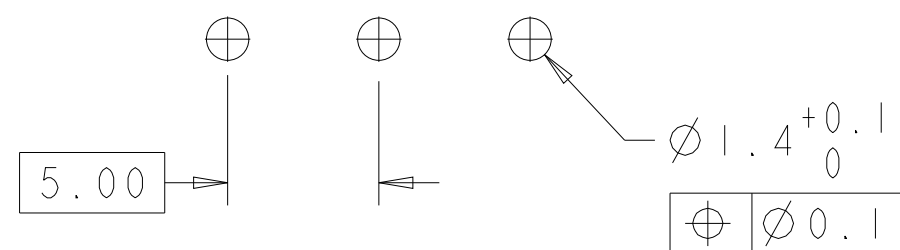


282812-3 AS SHOWN

| OBSOLETE | COLOR | PLATING | SPECIAL | NO OF POSN | PART NUMBER | |
|----------|--------|-------------|--------------|------------|-------------|-----------------------|
| OBSOLETE | GREEN | MATTE TIN | - | 15.0 | 3 | 3-282812-7 |
| OBSOLETE | ORANGE | TIN | - | 75.0 | 15 | 3-282812-6 |
| OBSOLETE | ORANGE | TIN | - | 65.0 | 13 | 3-282812-5 |
| OBSOLETE | ORANGE | TIN | - | 15.0 | 3 | 3-282812-4 |
| OBSOLETE | GREEN | 0.76um GOLD | - | 15.0 | 3 | 3-282812-3 |
| OBSOLETE | GREEN | TIN | SEE DETAIL M | 55.0 | 11 | 3-282812-1 |
| | GREEN | TIN | - | 125.0 | 25 | 2-282812-5 |
| | GREEN | TIN | - | 120.0 | 24 | 2-282812-4 |
| | GREEN | TIN | - | 115.0 | 23 | 2-282812-3 |
| | GREEN | TIN | - | 110.0 | 22 | 2-282812-2 |
| | GREEN | TIN | - | 105.0 | 21 | 2-282812-1 |
| | GREEN | TIN | - | 100.0 | 20 | 2-282812-0 |
| | GREEN | TIN | - | 95.0 | 19 | 1-282812-9 |
| | GREEN | TIN | - | 90.0 | 18 | 1-282812-8 |
| | GREEN | TIN | - | 85.0 | 17 | 1-282812-7 |
| | GREEN | TIN | - | 80.0 | 16 | 1-282812-6 |
| | GREEN | TIN | - | 75.0 | 15 | 1-282812-5 |
| | GREEN | TIN | - | 70.0 | 14 | 1-282812-4 |
| | GREEN | TIN | - | 65.0 | 13 | 1-282812-3 |
| | GREEN | TIN | - | 60.0 | 12 | 1-282812-2 |
| | GREEN | TIN | - | 55.0 | 11 | 1-282812-1 |
| | GREEN | TIN | - | 50.0 | 10 | 1-282812-0 |
| | GREEN | TIN | - | 45.0 | 9 | 282812-9 |
| | GREEN | TIN | - | 40.0 | 8 | 282812-8 |
| | GREEN | TIN | - | 35.0 | 7 | 282812-7 |
| | GREEN | TIN | - | 30.0 | 6 | 282812-6 |
| | GREEN | TIN | - | 25.0 | 5 | 282812-5 |
| | GREEN | TIN | - | 20.0 | 4 | 282812-4 |
| | GREEN | TIN | - | 15.0 | 3 | 282812-3 |
| | GREEN | TIN | - | 10.0 | 2 | 282812-2 |
| | COLOR | PLATING | SPECIAL | L | NO OF POSN | PART NUMBER |



- 1. MATERIALS AND FINISH
HOUSING: PA 6-6, UL 94-V0, COLOR: SEE TABLE.
TERMINAL: COPPER ALLOY, SEE TABLE.
- 2. SUITABLE FOR 1,6-2,4mm PC BOARD THICKNESS.
- 3. END-TO-END STACKABLE WITHOUT LOSS OF CENTERLINE SPACING.
- 4. RECOGNIZED UNDER THE COMPONENT PROGRAM OF UNDERWRITERS LABORATORIES INC. FILE N° E60677.
- 5. IMO CERTIFICATE WITH SURVEILLANCE IN CONFORMITY WITH IEC 998-1/998-2-1.
- 6. NOT CUMULATIVE TOLERANCE.
- 7. BUCHANAN LOGO TO APPEAR ON HOUSING, LOCATION OPTIONAL WHERE SPACE PERMITS.
- 8. SELECTIVELY LOADED IN POSITIONS 1, 4, 5, 8 & 11.



RECOMMENDED PC BOARD LAYOUT

| | | | |
|---|--|---|--|
| THIS DRAWING IS A CONTROLLED DOCUMENT. | | DWN S. WELDON 12SEP2002 | TE Connectivity |
| DIMENSIONS: mm | | CHK C. RICHARD 12SEP2002 | |
| TOLERANCES UNLESS OTHERWISE SPECIFIED: | | APVD C. RICHARD 12SEP2002 | |
| 0 PLC ±.2 1 PLC ±.2 2 PLC ±.25 3 PLC ±. 4 PLC ±. ANGLES ±2 FINISH | | NAME: TERMINAL BLOCK HEADER ASSEMBLY 90 DEGREE, OPEN ENDS, STACKING 5.00mm PITCH PRODUCT SPEC: 108-20166 APPLICATION SPEC: 114-20079 WEIGHT: - | |
| MATERIAL | | CUSTOMER DRAWING | SIZE: A2 CAGE CODE: 00779 DRAWING NO: C-282812 RESTRICTED TO: |
| SCALE: 4:1 | | | SHEET: 1 OF 2 |
| | | | REV: D5 |

4

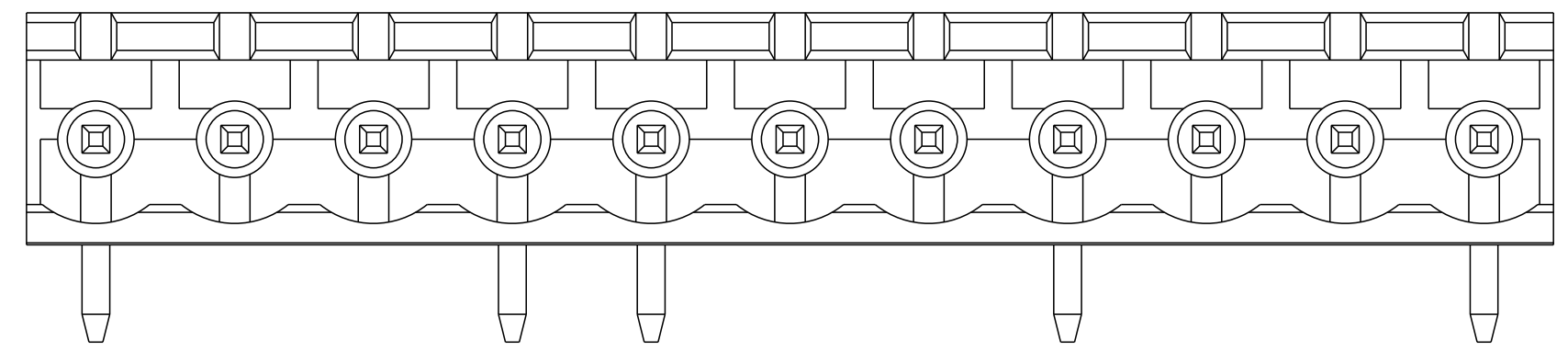
3

2

1

© 2020 TE Connectivity. All Rights Reserved.

| REVISIONS | | | | |
|-----------|-----|-------------|------|------|
| P | LTR | DESCRIPTION | DATE | APVD |
| - | | SEE SHEET 1 | - | - |
| | | | | |
| | | | | |
| | | | | |



△ 8
DETAIL M

| | | | | |
|--|--|---------------------------------|--|--------------------|
| THIS DRAWING IS A CONTROLLED DOCUMENT. | | DWN S. WELDON 12SEP2002 | | |
| DIMENSIONS: mm | | CHK C. RICHARD 12SEP2002 | | |
| TOLERANCES UNLESS OTHERWISE SPECIFIED: | | APVD C. RICHARD 12SEP2002 | NAME TERMINAL BLOCK HEADER ASSEMBLY 90 DEGREE, OPEN ENDS, STACKING 5.00mm PITCH | |
| 0 PLC ±- 1 PLC ±.2 2 PLC ±.25 3 PLC ±- 4 PLC ±- ANGLES ±2 FINISH | | PRODUCT SPEC 108-20166 | SIZE A2 | CAGE CODE 00779 |
| MATERIAL | | APPLICATION SPEC 114-20079 | DRAWING NO C-282812 | RESTRICTED TO |
| | | WEIGHT - | SCALE 3:1 SHEET 2 OF 2 REV D5 | |
| | | CUSTOMER DRAWING | | |

X-ON Electronics

Largest Supplier of Electrical and Electronic Components

Click to view similar products for [Pluggable Terminal Blocks](#) category:

Click to view products by [TE Connectivity](#) manufacturer:

Other Similar products are found below :

[57.510.0053](#) [MC 1.5/ 6-ST-3.5 GY AU](#) [734-104](#) [734-302](#) [8-141-P](#) [8426620000](#) [860505](#) [860516](#) [860810](#) [GBPACX-12](#) [93.731.4953.0](#) [PV05-5,08-K](#) [PVP02-5,00](#) [PVP03-3,50](#) [PVP04-3,50](#) [PVS02-5,00](#) [1-1986160-3](#) [1377680000](#) [1531000000](#) [1546228-5](#) [ELFH16150](#) [ELFP03110](#) [ELFP10210](#) [ELFT06250](#) [ELVP03100](#) [1700101](#) [1700410](#) [1700425](#) [1702246](#) [1705229](#) [1710175](#) [1714537](#) [1717806](#) [1719600](#) [1728941](#) [1734692](#) [1734795](#) [1736036](#) [1740194](#) [1740291](#) [1740628](#) [1740990](#) [1746952](#) [1750207](#) [1752441](#) [1752865](#) [1754115](#) [1754144](#) [1756913](#) [1760051](#)