

THIS DRAWING IS UNPUBLISHED.

RELEASED FOR PUBLICATION

20

LOC

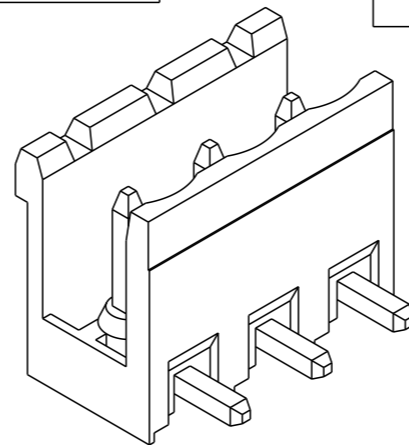
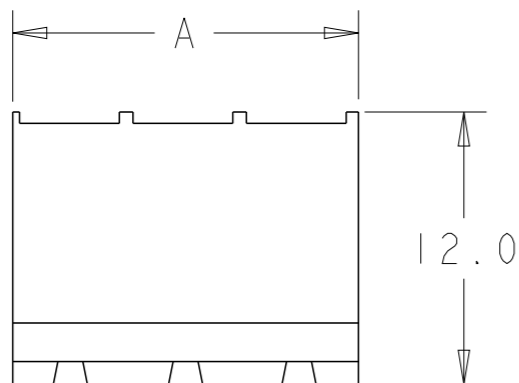
DIST

REVISIONS

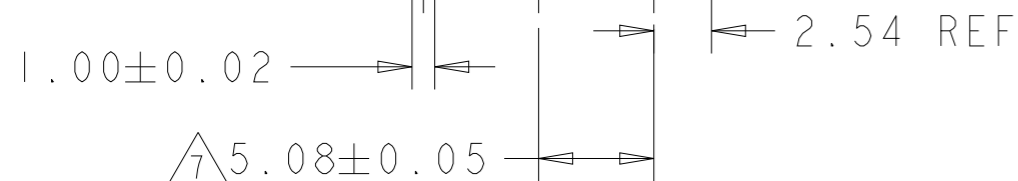
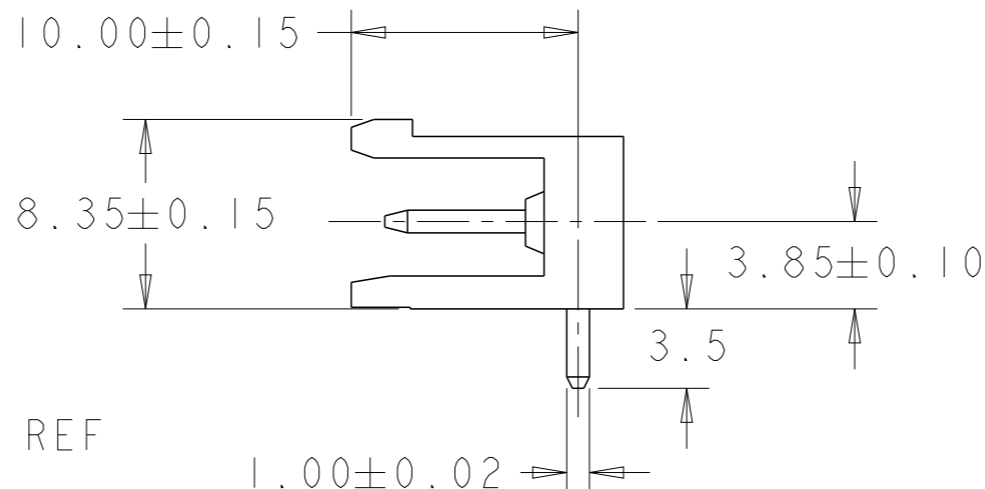
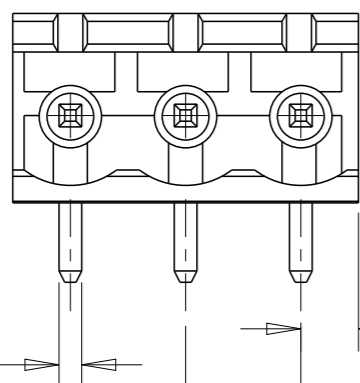
© COPYRIGHT 20 Tyco Electronics AMP GmbH

ALL RIGHTS RESERVED.

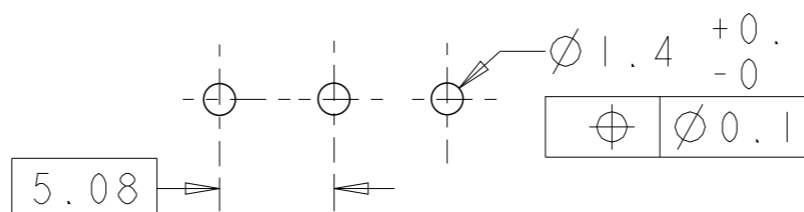
P	LTR	DESCRIPTION	DATE	DWN	APVD
	C3	PN 2-282815-6 ADDED	26MAR2018	RK	PS



282815-3 AS SHOWN



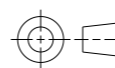
RECOMMENDED PC BOARD LAYOUT



OBSOLETE	ORANGE	15.24	3	2-282815-6
	GREEN	127.00	25	<del>2-282815-5</del>
	GREEN	121.92	24	<del>2-282815-4</del>
	GREEN	116.84	23	<del>2-282815-3</del>
	GREEN	111.76	22	<del>2-282815-2</del>
	GREEN	106.68	21	<del>2-282815-1</del>
	GREEN	101.60	20	<del>2-282815-0</del>
	GREEN	96.52	19	<del>1-282815-9</del>
	GREEN	91.44	18	<del>1-282815-8</del>
	OBSOLETE	GREEN	86.36	17
GREEN		81.28	16	<del>1-282815-6</del>
GREEN		76.20	15	<del>1-282815-5</del>
GREEN		71.12	14	<del>1-282815-4</del>
GREEN		66.04	13	<del>1-282815-3</del>
GREEN		60.96	12	<del>1-282815-2</del>
GREEN		55.88	11	<del>1-282815-1</del>
GREEN		50.80	10	<del>1-282815-0</del>
GREEN		45.72	9	282815-9
GREEN		40.64	8	282815-8
GREEN	35.56	7	282815-7	
GREEN	30.48	6	282815-6	
GREEN	25.40	5	282815-5	
GREEN	20.32	4	282815-4	
GREEN	15.24	3	282815-3	
GREEN	10.16	2	282815-2	
COLOR	DIM. A	NO OF POS.	PART NUMBER	

THIS DRAWING IS A CONTROLLED DOCUMENT.

DIMENSIONS:  
mm



TOLERANCES UNLESS OTHERWISE SPECIFIED:

- 0 PLC ±-
- 1 PLC ±0.3
- 2 PLC ±0.25
- 3 PLC ±-
- 4 PLC ±-
- ANGLES ±2

MATERIAL  
SEE NOTES

FINISH  
SEE NOTES

DWN 25 JUL 2001

E. ZANOLINI

CHK 25 JUL 2001

D. BIEVENOUR

APVD 25 JUL 2001

D. BIEVENOUR

PRODUCT SPEC

108-20166

APPLICATION SPEC

114-20079

WEIGHT -

CUSTOMER DRAWING

**STE** TE Connectivity

NAME  
 TERMINAL BLOCK HEADER ASSEMBLY  
 90 DEGREE OPEN ENDS, STACKING  
 5.08mm PITCH

SIZE	CAGE CODE	DRAWING NO	RESTRICTED TO
A3	00779	C-282815	


SCALE	SHEET	OF	REV
3:1	1	2	C3


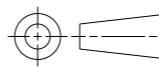
THIS DRAWING IS UNPUBLISHED.      RELEASED FOR PUBLICATION      20

© COPYRIGHT 20      Tyco Electronics AMP GmbH      ALL RIGHTS RESERVED.

LOC	DIST	REVISIONS					
		P	LTR	DESCRIPTION	DATE	DWN	APVD
		-		SEE SHEET 1	-	-	-

NOTES:

- MATERIALS AND FINISH  
HOUSING: PA 6-6, UL 94-V0.  
TERMINAL: BRASS, TIN PLATED.
  - MECHANICAL  
MAX. INSERTION FORCE PER POLE : 3.0 N  
MIN. WITHDRAWAL FORCE PER POLE : 1.5 N  
MIN. PC BOARD HOLES DIAMETER : 1.4 mm  
MAX. PC BOARD THICKNESS : 2.4 mm
  - ELECTRICAL  
WIRE RANGE : 12-30 AWG  
MAX. VOLTAGE : 300 V  
MAX CURRENT : 15 A  
CONTACT RESISTANCE : <15 m Ohm  
INSULATION RESISTANCE : >1000 M Ohm (500V DC)
  - END-TO-END STACKABLE WITHOUT LOSS OF CENTERLINE SPACING.
  - RECOGNIZED UNDER THE COMPONENT PROGRAM OF UNDERWRITERS LABORATORIES INC. FILE NO E60677.
  - OPERATING TEMPERATURE RANGE: -40°C TO +110°C
-  NOT CUMULATIVE TOLERANCE.

THIS DRAWING IS A CONTROLLED DOCUMENT.		DWN E. ZANOLINI 25 JUL 2001	 TE Connectivity	
DIMENSIONS: mm		CHK D. BIEVENOUR 25 JUL 2001		
TOLERANCES UNLESS OTHERWISE SPECIFIED:		APVD D. BIEVENOUR 25 JUL 2001	NAME TERMINAL BLOCK HEADER ASSEMBLY 90 DEGREE OPEN ENDS, STACKING 5.08mm PITCH	
		PRODUCT SPEC 108-20166	RESTRICTED TO	
MATERIAL SEE NOTES		APPLICATION SPEC 114-20079	SIZE A3	CAGE CODE 00779
FINISH SEE NOTES		WEIGHT -	DRAWING NO C-282815	
		CUSTOMER DRAWING	SCALE 3:1	SHEET 2 OF 2
				REV C3

## X-ON Electronics

Largest Supplier of Electrical and Electronic Components

*Click to view similar products for [Pluggable Terminal Blocks](#) category:*

*Click to view products by [TE Connectivity](#) manufacturer:*

Other Similar products are found below :

[57.510.0053](#) [MC 1.5/ 6-ST-3.5 GY AU](#) [ET02015000J0G](#) [734-104](#) [734-302](#) [8-141-P](#) [8426620000](#) [860505](#) [860516](#) [860810](#) [GBPACX-12](#)  
[93.731.4953.0](#) [PV05-5,08-K](#) [PVP03-3,50](#) [PVP04-3,50](#) [PVS02-5,00](#) [1-1986160-3](#) [1377680000](#) [1531000000](#) [1546228-5](#) [ELFH16150](#)  
[ELFP03110](#) [ELFP10210](#) [ELFT06250](#) [ELVP03100](#) [1700101](#) [1700410](#) [1700425](#) [1702246](#) [1705229](#) [1710175](#) [1714537](#) [1717806](#) [1719600](#)  
[1728941](#) [1734692](#) [1734795](#) [1736036](#) [1740194](#) [1740628](#) [1740990](#) [1746952](#) [1750207](#) [1752441](#) [1752865](#) [1754115](#) [1754144](#) [1756913](#)  
[1760051](#) [1760336](#)