

THIS DRAWING IS UNPUBLISHED.

RELEASED FOR PUBLICATION

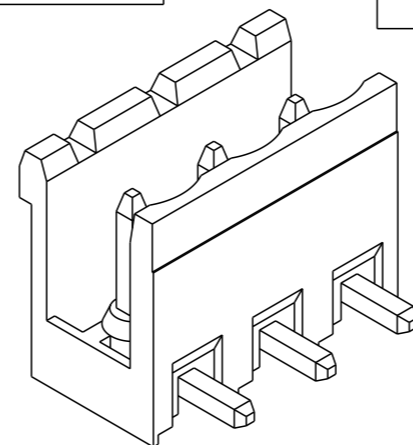
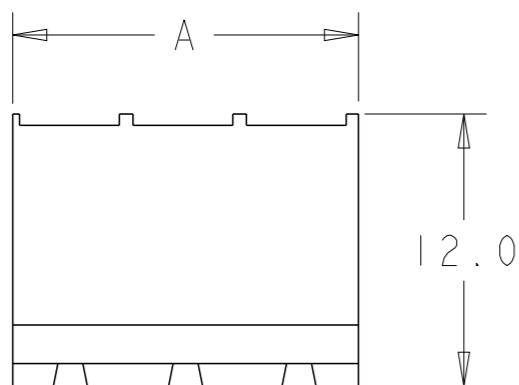
20

LOC DIST

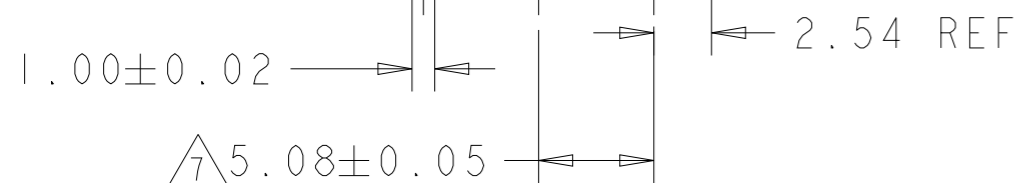
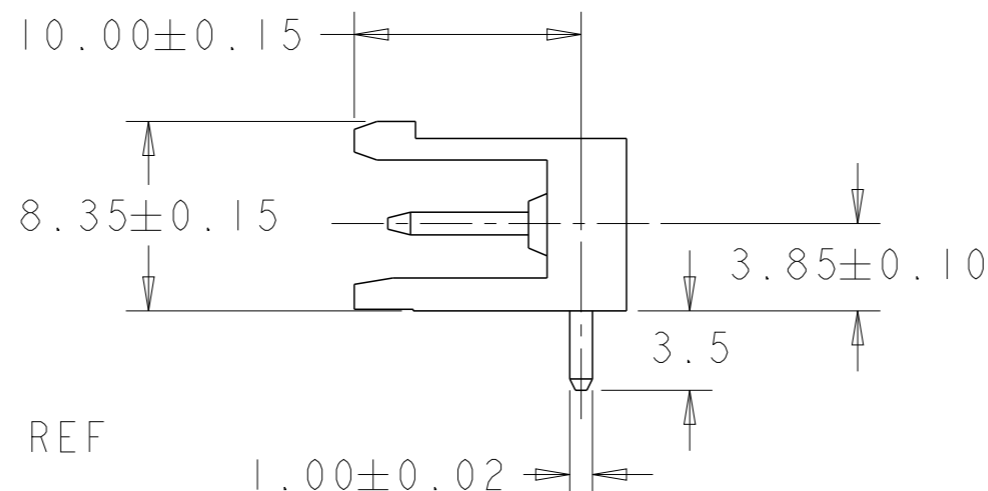
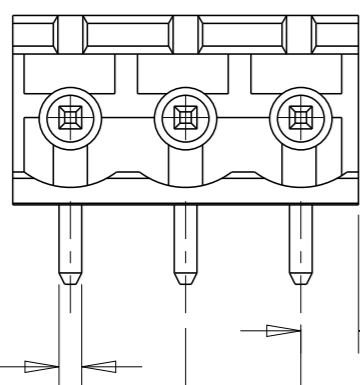
REVISIONS

© COPYRIGHT 20 Tyco Electronics AMP GmbH ALL RIGHTS RESERVED.

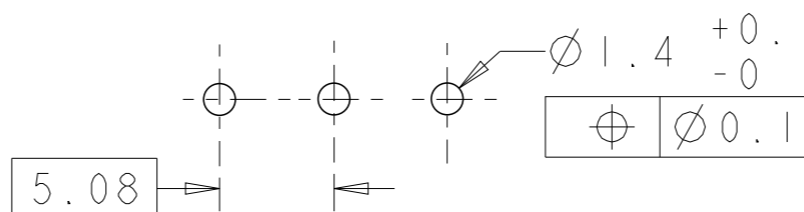
P	LTR	DESCRIPTION	DATE	DWN	APVD
	C3	PN 2-282815-6 ADDED	26MAR2018	RK	PS



282815-3 AS SHOWN



RECOMMENDED PC BOARD LAYOUT



COLOR	DIM. A	NO OF POS.	PART NUMBER
ORANGE	15.24	3	2-282815-6
GREEN	127.00	25	2-282815-5
GREEN	121.92	24	2-282815-4
GREEN	116.84	23	2-282815-3
GREEN	111.76	22	2-282815-2
GREEN	106.68	21	2-282815-1
GREEN	101.60	20	2-282815-0
GREEN	96.52	19	1-282815-9
GREEN	91.44	18	1-282815-8
GREEN	86.36	17	1-282815-7
GREEN	81.28	16	1-282815-6
GREEN	76.20	15	1-282815-5
GREEN	71.12	14	1-282815-4
GREEN	66.04	13	1-282815-3
GREEN	60.96	12	1-282815-2
GREEN	55.88	11	1-282815-1
GREEN	50.80	10	1-282815-0
GREEN	45.72	9	282815-9
GREEN	40.64	8	282815-8
GREEN	35.56	7	282815-7
GREEN	30.48	6	282815-6
GREEN	25.40	5	282815-5
GREEN	20.32	4	282815-4
GREEN	15.24	3	282815-3
GREEN	10.16	2	282815-2

OBSOLETE

OBSOLETE


THIS DRAWING IS A CONTROLLED DOCUMENT.		DWN 25 JUL 2001 E. ZANOLINI
DIMENSIONS: mm		CHK 25 JUL 2001 D. BIEVENOUR
TOLERANCES UNLESS OTHERWISE SPECIFIED:		APVD 25 JUL 2001 D. BIEVENOUR
0 PLC ±-	1 PLC ±0.3	PRODUCT SPEC 108-20166
2 PLC ±0.25	3 PLC ±-	APPLICATION SPEC 114-20079
4 PLC ±-	ANGLES ±2	WEIGHT -
MATERIAL SEE NOTES	FINISH SEE NOTES	CUSTOMER DRAWING


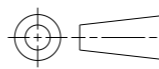
STE TE Connectivity			
NAME TERMINAL BLOCK HEADER ASSEMBLY 90 DEGREE OPEN ENDS, STACKING 5.08mm PITCH			
SIZE	CAGE CODE	DRAWING NO	RESTRICTED TO
A3	00779	C-282815	
SCALE 3:1		SHEET 1 OF 2	REV C3

THIS DRAWING IS UNPUBLISHED. RELEASED FOR PUBLICATION 20
 © COPYRIGHT 20 Tyco Electronics AMP GmbH ALL RIGHTS RESERVED.

LOC	DIST	REVISIONS					
		P	LTR	DESCRIPTION	DATE	DWN	APVD
		-		SEE SHEET 1	-	-	-

NOTES:

- MATERIALS AND FINISH
HOUSING: PA 6-6, UL 94-V0.
TERMINAL: BRASS, TIN PLATED.
 - MECHANICAL
MAX. INSERTION FORCE PER POLE : 3.0 N
MIN. WITHDRAWAL FORCE PER POLE : 1.5 N
MIN. PC BOARD HOLES DIAMETER : 1.4 mm
MAX. PC BOARD THICKNESS : 2.4 mm
 - ELECTRICAL
WIRE RANGE : 12-30 AWG
MAX. VOLTAGE : 300 V
MAX CURRENT : 15 A
CONTACT RESISTANCE : <15 m Ohm
INSULATION RESISTANCE : >1000 M Ohm (500V DC)
 - END-TO-END STACKABLE WITHOUT LOSS OF CENTERLINE SPACING.
 - RECOGNIZED UNDER THE COMPONENT PROGRAM OF UNDERWRITERS LABORATORIES INC. FILE NO E60677.
 - OPERATING TEMPERATURE RANGE: -40°C TO +110°C
-  NOT CUMULATIVE TOLERANCE.

THIS DRAWING IS A CONTROLLED DOCUMENT.		DWN E. ZANOLINI 25 JUL 2001	 TE Connectivity	
DIMENSIONS: mm		CHK D. BIEVENOUR 25 JUL 2001		
TOLERANCES UNLESS OTHERWISE SPECIFIED:		APVD D. BIEVENOUR 25 JUL 2001	NAME TERMINAL BLOCK HEADER ASSEMBLY 90 DEGREE OPEN ENDS, STACKING 5.08mm PITCH	
		PRODUCT SPEC 108-20166	RESTRICTED TO	
MATERIAL SEE NOTES		APPLICATION SPEC 114-20079	SIZE A3	CAGE CODE 00779
FINISH SEE NOTES		WEIGHT -	DRAWING NO C-282815	
		CUSTOMER DRAWING	SCALE 3:1	SHEET 2 OF 2
				REV C3

X-ON Electronics

Largest Supplier of Electrical and Electronic Components

Click to view similar products for [Pluggable Terminal Blocks](#) category:

Click to view products by [TE Connectivity](#) manufacturer:

Other Similar products are found below :

[57.510.0053](#) [MC 1.5/ 6-ST-3.5 GY AU](#) [734-104](#) [734-302](#) [8-141-P](#) [8426620000](#) [860505](#) [860516](#) [860810](#) [GBPACX-12](#) [93.731.4953.0](#) [PV05-5,08-K](#) [PVP02-5,00](#) [PVP03-3,50](#) [PVP04-3,50](#) [PVS02-5,00](#) [1-1986160-3](#) [1377680000](#) [1531000000](#) [1546228-5](#) [ELFH16150](#) [ELFP03110](#) [ELFP10210](#) [ELFT06250](#) [ELVP03100](#) [1700101](#) [1700410](#) [1700425](#) [1702246](#) [1705229](#) [1710175](#) [1714537](#) [1717806](#) [1719600](#) [1728941](#) [1734692](#) [1734795](#) [1736036](#) [1740194](#) [1740291](#) [1740628](#) [1740990](#) [1746952](#) [1750207](#) [1752441](#) [1752865](#) [1754115](#) [1754144](#) [1756913](#) [1760051](#)