

4

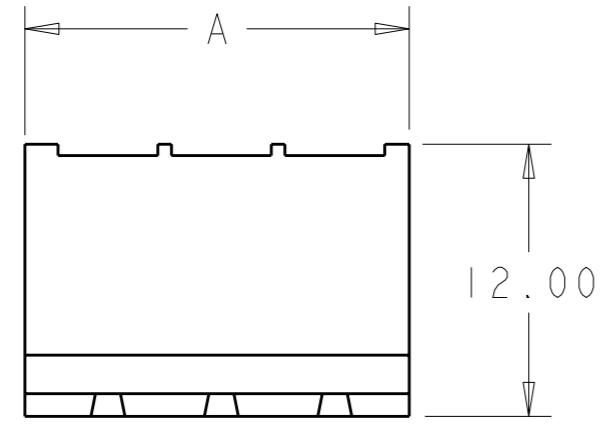
3

2

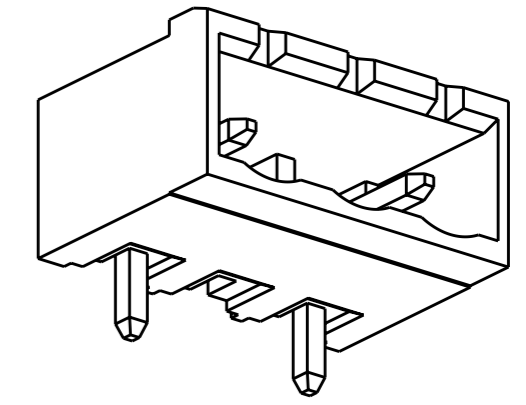
1

THIS DRAWING IS UNPUBLISHED. RELEASED FOR PUBLICATION 20  
 © COPYRIGHT 20 Y ALL RIGHTS RESERVED.

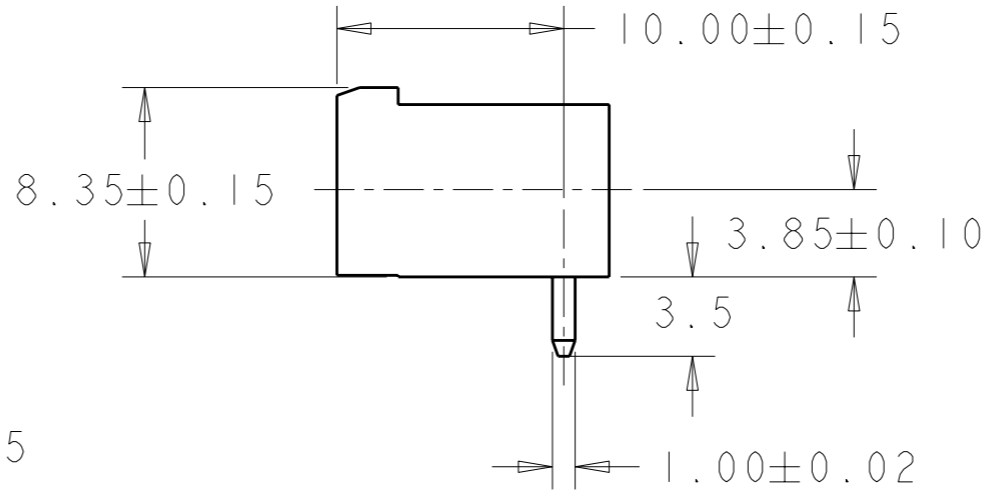
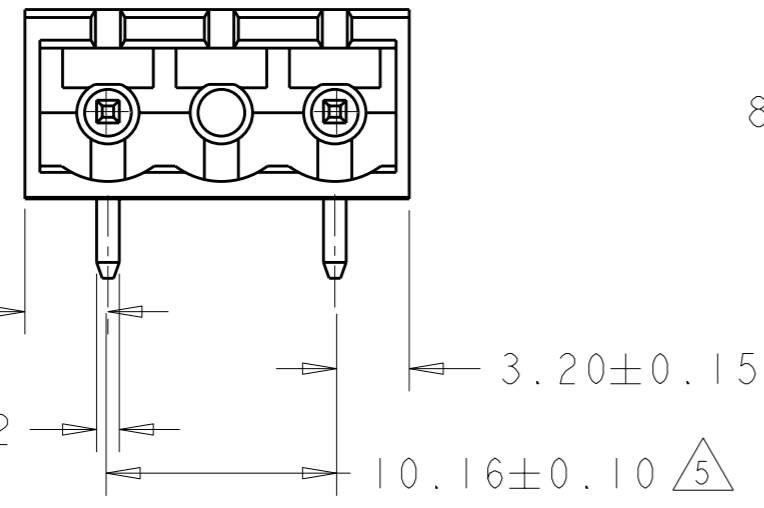
LOC	DIST	REVISIONS			
P	LTR	DESCRIPTION	DATE	DWN	APVD
FT	0	E	REVISED PER ECO-12-007964	02MAY2012	KH MS



- 1 MATERIALS AND FINISH  
HOUSING: PA 6-6, UL 94-V0, COLOR GREEN.  
TERMINAL: COPPER ALLOY, TIN PLATED.
- 2 SUITABLE FOR 1,6-2,4mm PC BOARD THICKNESS.  
OBSOLETE
- 3 RECOGNIZED UNDER THE COMPONENT PROGRAM OF  
UNDERWRITERS LABORATORIES INC. FILE N° E60677.
- 4 IMQ CERTIFICATE WITH SURVEILLANCE IN CONFORMITY  
WITH IEC 998-1/998-2-1.
- 5 NOT CUMULATIVE TOLERANCE.

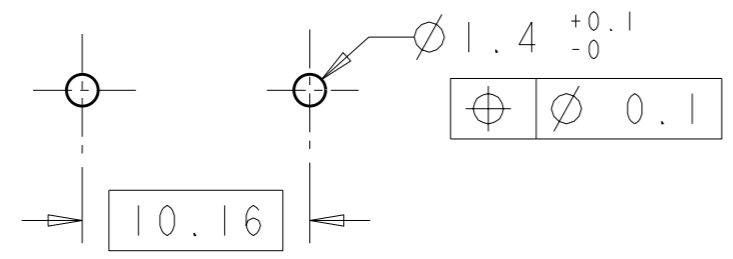


282818-2 AS SHOWN



DIM. A	N° OF POS.	PART NUMBER	
OBSOLETE	128.82 <sup>+0.40</sup> <sub>-0.25</sub>	13	1-282818-3
	118.66 <sup>+0.40</sup> <sub>-0.25</sub>	12	1-282818-2
OBSOLETE	108.50 <sup>+0.40</sup> <sub>-0.25</sub>	11	1-282818-1
OBSOLETE	98.34 <sup>+0.40</sup> <sub>-0.25</sub>	10	1-282818-0
	88.18 <sup>+0.35</sup> <sub>-0.25</sub>	9	282818-9
	78.02 <sup>+0.35</sup> <sub>-0.25</sub>	8	282818-8
OBSOLETE	67.86 <sup>+0.35</sup> <sub>-0.20</sub>	7	282818-7
	57.70 <sup>+0.30</sup> <sub>-0.20</sub>	6	282818-6
	47.54 <sup>+0.30</sup> <sub>-0.20</sub>	5	282818-5
	37.38 <sup>+0.25</sup> <sub>-0.10</sub>	4	282818-4
	27.22 <sup>+0.25</sup> <sub>-0.10</sub>	3	282818-3
	17.06 <sup>+0.20</sup> <sub>-0.10</sub>	2	282818-2

RECOMMENDED PC BOARD LAYOUT



THIS DRAWING IS A CONTROLLED DOCUMENT.		DWN E. ZANOLINI 26 JUL 2001	TE Connectivity	
DIMENSIONS: mm		CHK D. BIEVENOUR 26 JUL 2001		
TOLERANCES UNLESS OTHERWISE SPECIFIED:		APVD D. BIEVENOUR 26 JUL 2001	NAME	
0 PLC ±- 1 PLC ±.2 2 PLC ±.25 3 PLC ±- 4 PLC ±- ANGLES ±2		PRODUCT SPEC 108-20166	TERMINAL BLOCK HEADER ASSEMBLY 90 DEG CLOSED ENDS 10.16mm PITCH	
MATERIAL		APPLICATION SPEC 114-20079	SIZE A3	CAGE CODE 00779
FINISH		WEIGHT -	DRAWING NO C-282818	RESTRICTED TO -
		CUSTOMER DRAWING	SCALE 3:1	SHEET 1 OF 1 REV E

## X-ON Electronics

Largest Supplier of Electrical and Electronic Components

*Click to view similar products for [Pluggable Terminal Blocks](#) category:*

*Click to view products by [TE Connectivity](#) manufacturer:*

Other Similar products are found below :

[57.510.0053](#) [MC 1.5/ 6-ST-3.5 GY AU](#) [734-104](#) [734-302](#) [8-141-P](#) [8426620000](#) [860505](#) [860516](#) [860810](#) [GBPACX-12](#) [93.731.4953.0](#) [PV05-5,08-K](#) [PVP03-3,50](#) [PVP04-3,50](#) [PVS02-5,00](#) [1-1986160-3](#) [1377680000](#) [1531000000](#) [1546228-5](#) [ELFH16150](#) [ELFP03110](#) [ELFP10210](#) [ELFT06250](#) [ELVP03100](#) [1700101](#) [1700410](#) [1700425](#) [1702246](#) [1705229](#) [1710175](#) [1714537](#) [1717806](#) [1719600](#) [1728941](#) [1734692](#) [1734795](#) [1736036](#) [1740194](#) [1740291](#) [1740628](#) [1740990](#) [1746952](#) [1750207](#) [1752441](#) [1752865](#) [1754115](#) [1754144](#) [1756913](#) [1760051](#) [1760336](#)