

4

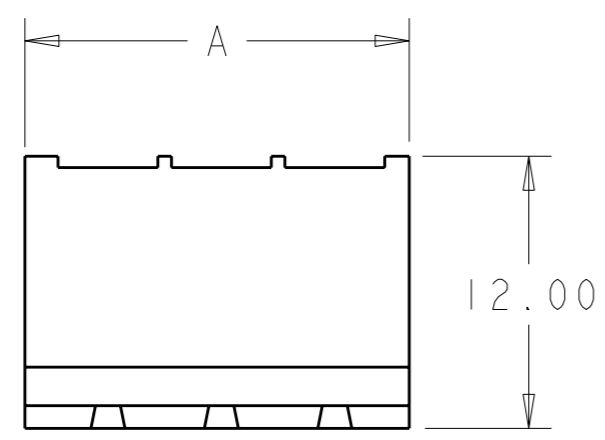
3

2

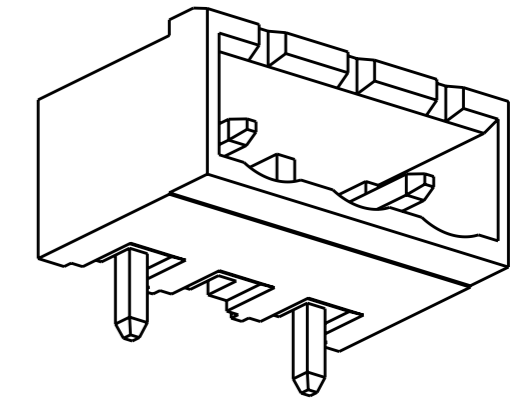
1

THIS DRAWING IS UNPUBLISHED. RELEASED FOR PUBLICATION 20
 © COPYRIGHT 20 Y ALL RIGHTS RESERVED.

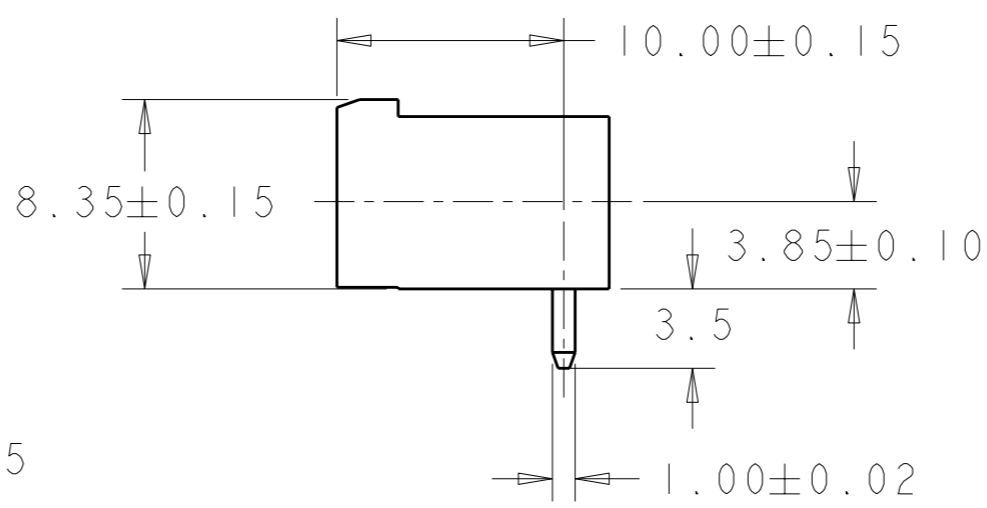
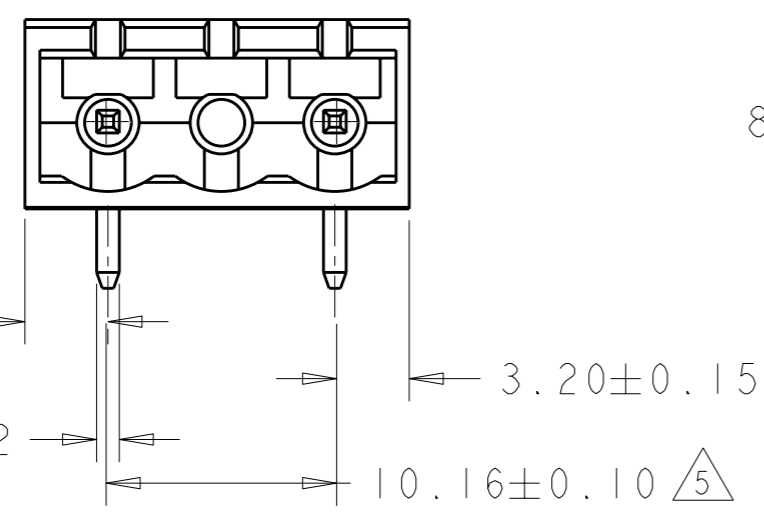
LOC	DIST	REVISIONS			
P	LTR	DESCRIPTION	DATE	DWN	APVD
FT	0	E	REVISED PER ECO-12-007964	02MAY2012	KH MS



- 1 MATERIALS AND FINISH
HOUSING: PA 6-6, UL 94-V0, COLOR GREEN.
TERMINAL: COPPER ALLOY, TIN PLATED.
- 2 SUITABLE FOR 1,6-2,4mm PC BOARD THICKNESS.
OBSOLETE
- 3 RECOGNIZED UNDER THE COMPONENT PROGRAM OF
UNDERWRITERS LABORATORIES INC. FILE N° E60677.
- 4 IMQ CERTIFICATE WITH SURVEILLANCE IN CONFORMITY
WITH IEC 998-1/998-2-1.
- 5 NOT CUMULATIVE TOLERANCE.

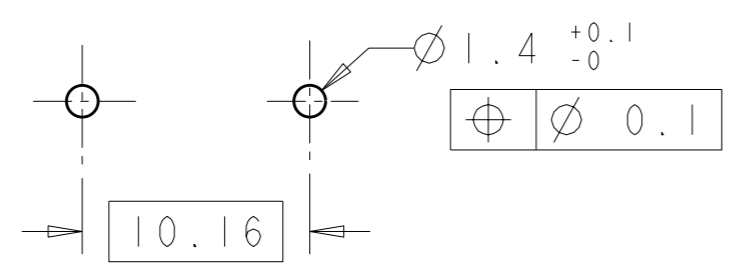


282818-2 AS SHOWN



DIM. A	N° OF POS.	PART NUMBER	
OBSOLETE	128.82 ^{+0.40} _{-0.25}	13	1-282818-3
	118.66 ^{+0.40} _{-0.25}	12	1-282818-2
OBSOLETE	108.50 ^{+0.40} _{-0.25}	11	1-282818-1
OBSOLETE	98.34 ^{+0.40} _{-0.25}	10	1-282818-0
	88.18 ^{+0.35} _{-0.25}	9	282818-9
	78.02 ^{+0.35} _{-0.25}	8	282818-8
OBSOLETE	67.86 ^{+0.35} _{-0.20}	7	282818-7
	57.70 ^{+0.30} _{-0.20}	6	282818-6
	47.54 ^{+0.30} _{-0.20}	5	282818-5
	37.38 ^{+0.25} _{-0.10}	4	282818-4
	27.22 ^{+0.25} _{-0.10}	3	282818-3
	17.06 ^{+0.20} _{-0.10}	2	282818-2

RECOMMENDED PC BOARD LAYOUT



THIS DRAWING IS A CONTROLLED DOCUMENT.		DWN E. ZANOLINI 26 JUL 2001		TE Connectivity	
DIMENSIONS: mm		CHK D. BIEVENOUR 26 JUL 2001			
TOLERANCES UNLESS OTHERWISE SPECIFIED:		APVD D. BIEVENOUR 26 JUL 2001		NAME	
0 PLC ±- 1 PLC ±.2 2 PLC ±.25 3 PLC ±- 4 PLC ±- ANGLES ±2		PRODUCT SPEC 108-20166		TERMINAL BLOCK HEADER ASSEMBLY 90 DEG CLOSED ENDS 10.16mm PITCH	
MATERIAL		APPLICATION SPEC 114-20079		SIZE	
FINISH		WEIGHT -		CAGE CODE	
		CUSTOMER DRAWING		DRAWING NO	
				RESTRICTED TO	
				SCALE 3:1	
				SHEET 1 OF 1	
				REV E	

X-ON Electronics

Largest Supplier of Electrical and Electronic Components

Click to view similar products for [TE Connectivity](#) manufacturer:

Other Similar products are found below :

[D38999/24FJ4AN](#) [570416-000](#) [CLTEQ-M81CE-SSRELAY-4-20V](#) [4-1195131-0](#) [650069-000](#) [SMD100-2](#) [358838-000](#) [CB-1022B-78](#)
[RM707012](#) [RP410012](#) [MMS42](#) [1-640426-8](#) [2EDL4CM](#) [DTS20W19-11PD-3028-LC](#) [RM202615](#) [NC6-P104-06](#) [MSPS103B](#) [DTS26F21-](#)
[41HE-LC](#) [DTS26F21-41AE](#) [DTS26F21-41PE-LC](#) [DTS26F21-11SE-3028-LC](#) [30DCB6](#) [1932144-1](#) [293545-4](#) [LVR125S](#) [MS27466T25F4PB](#)
[CKB-38-78010](#) [TR04AI-TINELLOCKRING](#) [1206SFF150F/63-2](#) [D38999/20JB35HA](#) [TE1500A2R2J](#) [D38999/20WC8BB](#) [DTS24F19-11SC-](#)
[3028-LC](#) [D38999/24WG11HA](#) [D38999/24WG11HN](#) [MS27467T21F11H](#) [DJT16E21-11HA](#) [MS27467T21F35J](#) [MS27467T21F11J](#)
[MS27467T21F16H-LC](#) [MS27467T21F35H](#) [MS27467T21F41H-LC](#) [1206SFH150F/24-2](#) [RP330024](#) [DJT16E21-11PA-LC](#) [DJT16E21-11HA-](#)
[LC](#) [DJT16E21-11AA](#) [MS27467T21B11JA](#) [DJT16E21-11JA](#) [MS27467T21B11JA-LC](#)