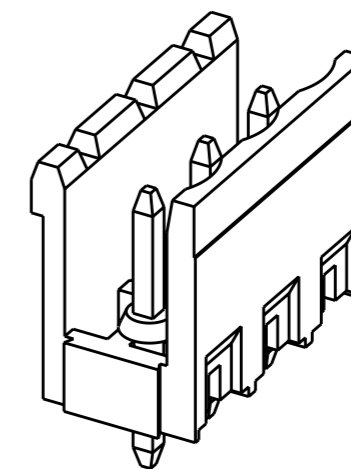
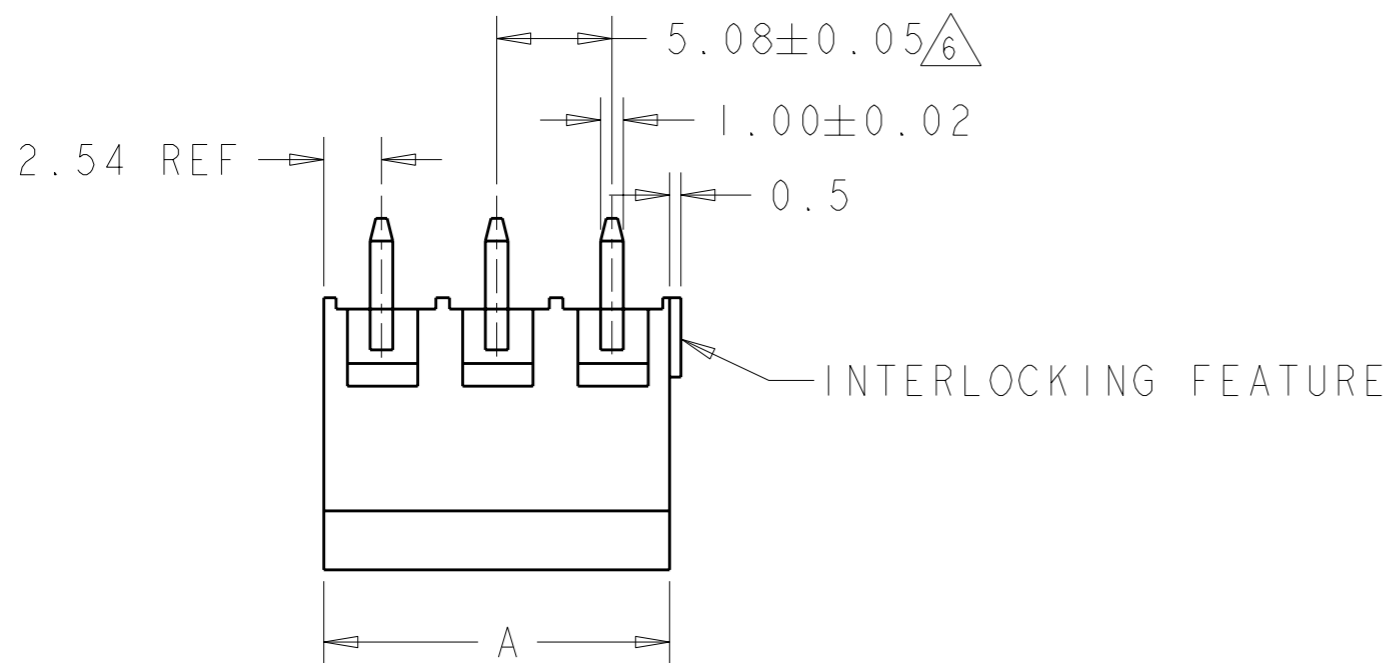


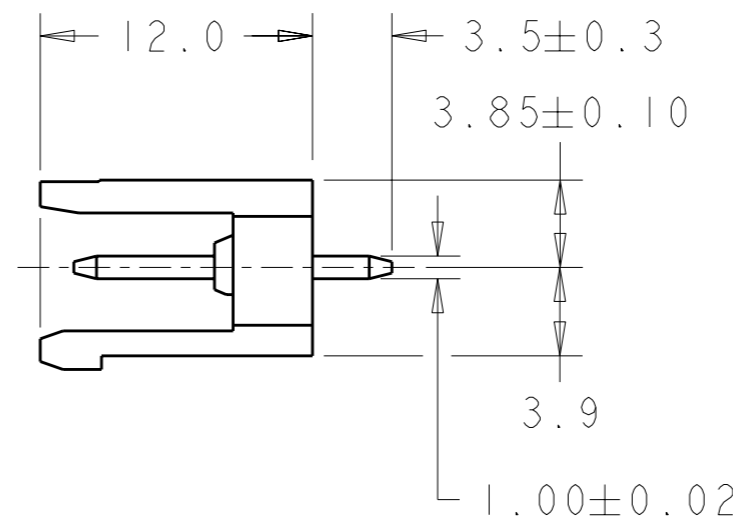
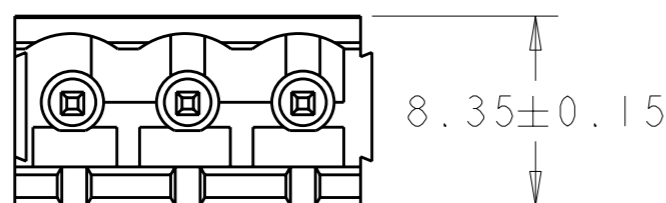
THIS DRAWING IS UNPUBLISHED. RELEASED FOR PUBLICATION 20

© COPYRIGHT 20 Tyco Electronics AMP GmbH ALL RIGHTS RESERVED.

LOC	DIST	REVISIONS			
P	LTR	DESCRIPTION	DATE	DWN	APVD
FT	0	C1	REVISED PER ECO-12-007964	02MAY2012	KH MS



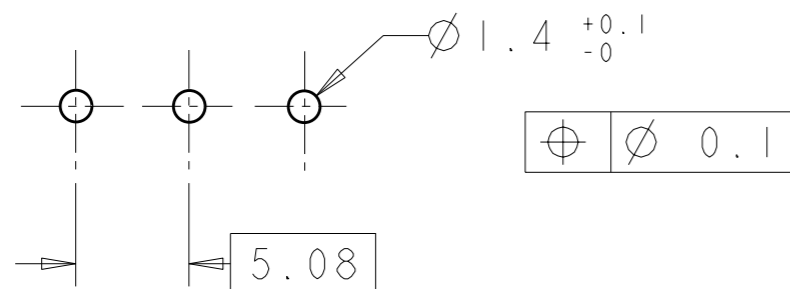
282824-3 AS SHOWN



- 1 MATERIALS AND FINISH  
HOUSING: PA 6-6, UL 94-V0, COLOR GREEN.  
TERMINAL: COPPER ALLOY, TIN PLATED.
- 2 SUITABLE FOR 1,6-2,4mm PC BOARD THICKNESS.
- 3 END-TO-END STACKABLE W/INTERLOCK WITHOUT LOSS OF CENTERLINE SPACING.
- 4 RECOGNIZED UNDER THE COMPONENT PROGRAM OF UNDERWRITERS LABORATORIES INC. FILE N° E60677.
- 5 IMQ CERTIFICATE WITH SURVEILLANCE IN CONFORMITY WITH IEC 998-1/998-2-1.
- 6 NOT CUMULATIVE TOLERANCE.

20.32	4	282824-4
15.24	3	282824-3
10.16	2	282824-2
DIM. A	N° OF POS.	PART NUMBER

RECOMMENDED PC BOARD LAYOUT



THIS DRAWING IS A CONTROLLED DOCUMENT.		DWN E. ZANOLINI 30 JUL 2001		TE Connectivity	
DIMENSIONS: mm		CHK D. BIEVENOUR 30 JUL 2001			
TOLERANCES UNLESS OTHERWISE SPECIFIED:		APVD D. BIEVENOUR 30 JUL 2001		NAME	
0 PLC ±-		PRODUCT SPEC 108-20166		TERMINAL BLOCK HEADER ASSEMBLY	
1 PLC ±.3		APPLICATION SPEC 114-20079		180 DEGREE STACKING W/INTERLOCK	
2 PLC ±.25		WEIGHT -		5.08mm PITCH	
3 PLC ±-		SIZE A3		CAGE CODE 00779	
4 PLC ±-		DRAWING NO C-282824		RESTRICTED TO -	
ANGLES ±2		CUSTOMER DRAWING		SCALE 3:1	
MATERIAL		FINISH		SHEET 1 OF 1	
				REV C1	

## X-ON Electronics

Largest Supplier of Electrical and Electronic Components

*Click to view similar products for [Pluggable Terminal Blocks](#) category:*

*Click to view products by [TE Connectivity](#) manufacturer:*

Other Similar products are found below :

[57.510.0053](#) [MC 1.5/ 6-ST-3.5 GY AU](#) [ET02015000J0G](#) [734-104](#) [734-302](#) [8-141-P](#) [8426620000](#) [860505](#) [860516](#) [860810](#) [GBPACX-12](#)  
[93.731.4953.0](#) [PV05-5,08-K](#) [PVP03-3,50](#) [PVP04-3,50](#) [PVS02-5,00](#) [1-1986160-3](#) [1377680000](#) [1531000000](#) [1546228-5](#) [ELFH16150](#)  
[ELFP03110](#) [ELFP10210](#) [ELFT06250](#) [ELVP03100](#) [1700101](#) [1700410](#) [1700425](#) [1702246](#) [1705229](#) [1710175](#) [1714537](#) [1717806](#) [1719600](#)  
[1728941](#) [1734692](#) [1734795](#) [1736036](#) [1740194](#) [1740628](#) [1740990](#) [1746952](#) [1750207](#) [1752441](#) [1752865](#) [1754115](#) [1754144](#) [1756913](#)  
[1760051](#) [1760336](#)