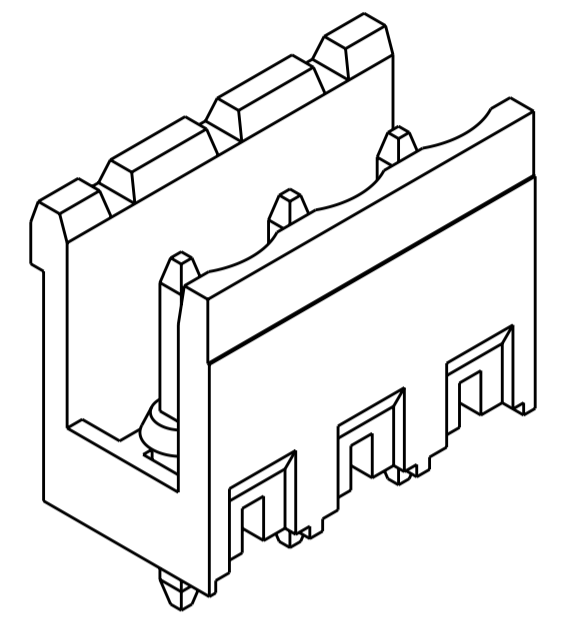
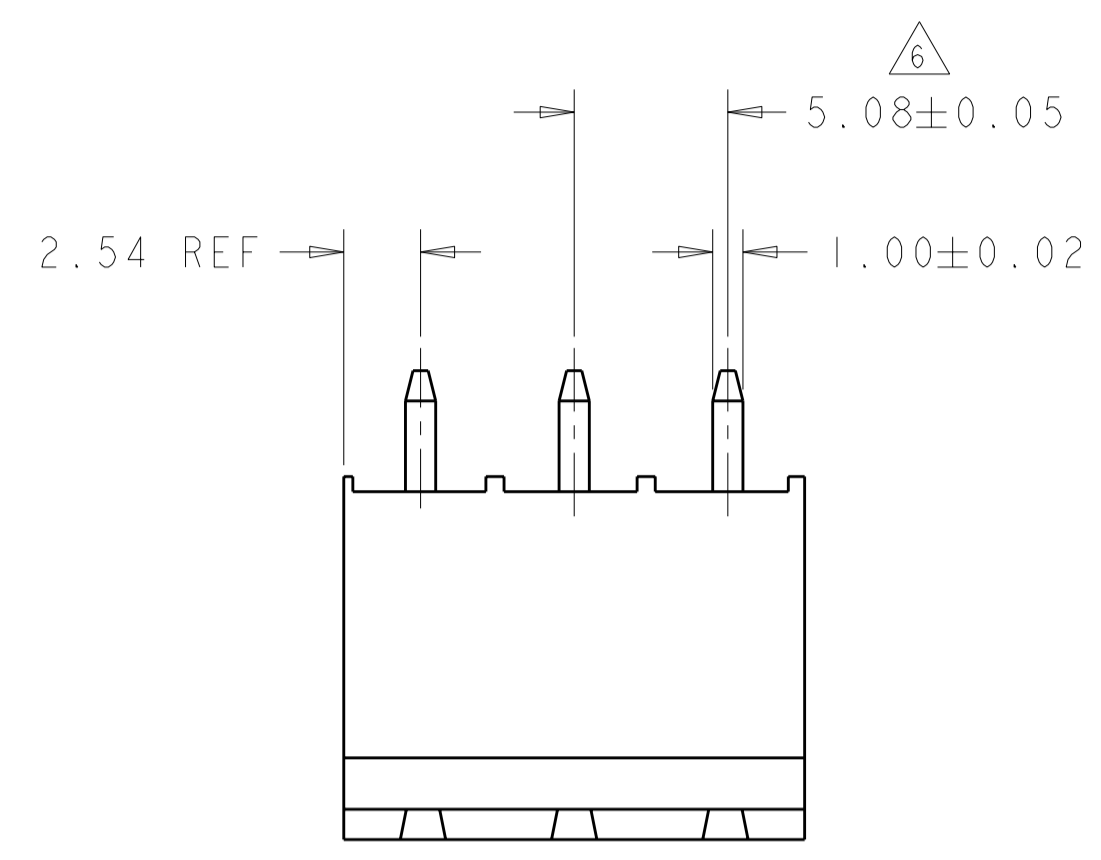


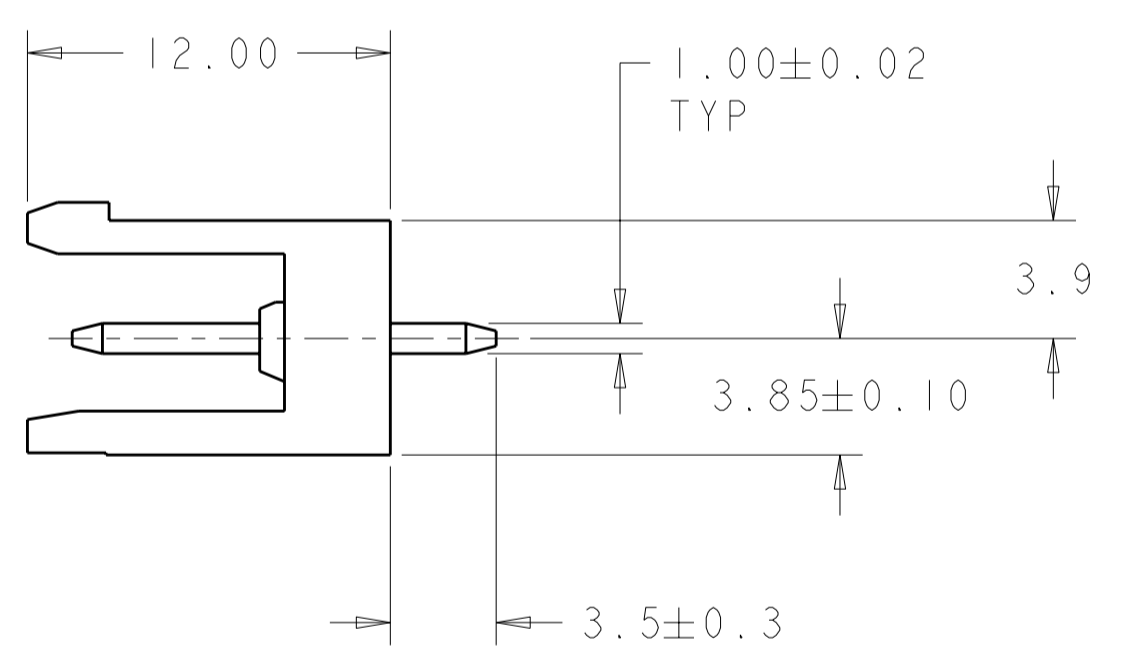
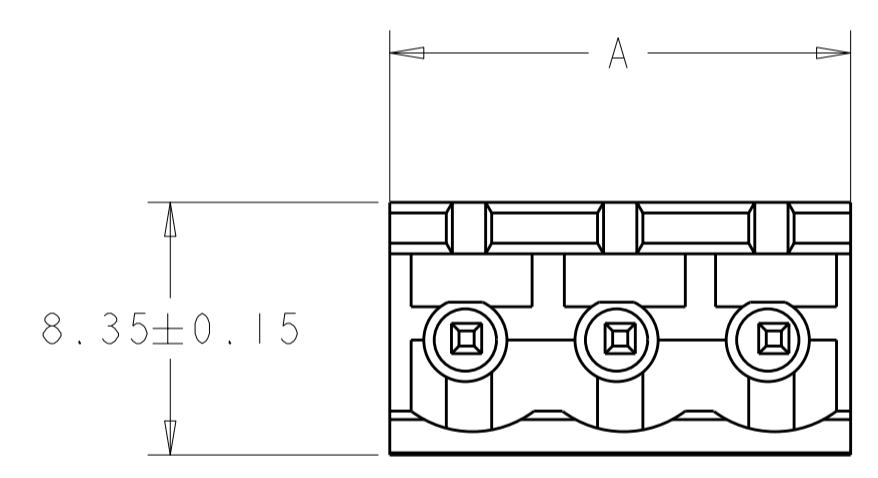
THIS DRAWING IS UNPUBLISHED. RELEASED FOR PUBLICATION 20
 © COPYRIGHT 20 ALL RIGHTS RESERVED.

LOC		DIST		REVISIONS			
P	LTR	DESCRIPTION	DATE	DWN	APVD		
FT	0	D2	REVISÉ PER ECO-12-007964	02MAY2012	KH	MS	

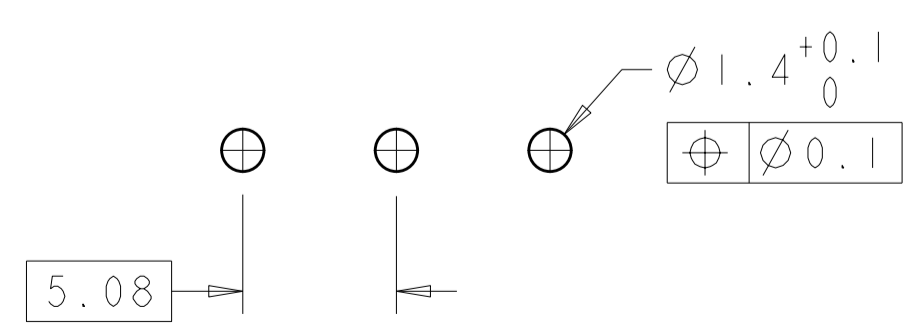


282825-3 AS SHOWN

- △ MATERIALS AND FINISH)
 HOUSING: PA 6-6, UL 94-V0, COLOR GREEN.
 TERMINAL: COPPER ALLOY, FINISH: SEE TABLE.
- SUITABLE FOR 1,6-2,4mm PC BOARD THICKNESS.
 - END-TO-END STACKABLE WITHOUT LOSS OF CENTERLINE SPACING.
 - RECOGNIZED UNDER THE COMPONENT PROGRAM OF UNDERWRITERS LABORATORIES INC. FILE N°E60677.
 - IMQ CERTIFICATE WITH SURVEILLANCE IN CONFORMITY WITH IEC 998-1/998-2-1.
- △ NOT CUMULATIVE TOLERANCE.



.000008 GOLD OVER NICKEL	10.16	2	2-282825-6
TIN PLATED	127.00	25	2-282825-5
TIN PLATED	121.92	24	2-282825-4
TIN PLATED	116.84	23	2-282825-3
TIN PLATED	111.76	22	2-282825-2
TIN PLATED	106.68	21	2-282825-1
TIN PLATED	101.60	20	2-282825-0
TIN PLATED	96.52	19	1-282825-9
TIN PLATED	91.44	18	1-282825-8
TIN PLATED	86.36	17	1-282825-7
TIN PLATED	81.28	16	1-282825-6
TIN PLATED	76.20	15	1-282825-5
TIN PLATED	71.12	14	1-282825-4
TIN PLATED	66.04	13	1-282825-3
TIN PLATED	60.96	12	1-282825-2
TIN PLATED	55.88	11	1-282825-1
TIN PLATED	50.80	10	1-282825-0
TIN PLATED	45.72	9	282825-9
TIN PLATED	40.64	8	282825-8
TIN PLATED	35.56	7	282825-7
TIN PLATED	30.48	6	282825-6
TIN PLATED	25.40	5	282825-5
TIN PLATED	20.32	4	282825-4
TIN PLATED	15.24	3	282825-3
TIN PLATED	10.16	2	282825-2
TERMINAL FINISH	A	NO OF POSN	PART NUMBER



RECOMMENDED PC BOARD LAYOUT

THIS DRAWING IS A CONTROLLED DOCUMENT.

DWN: E. ZANOLINI 30 JUL 2001
 CHK: D. BIEVENOUR 30 JUL 2001
 APVD: D. BIEVENOUR 30 JUL 2001

PRODUCT SPEC: 108-20166
 APPLICATION SPEC: 114-20079

MATERIAL: △
 TOLERANCES UNLESS OTHERWISE SPECIFIED:
 0 PLC ±
 1 PLC ±.3
 2 PLC ±.25
 3 PLC ±
 4 PLC ±
 ANGLES ±2
 FINISH △

SCALE: 3:1 SHEET 1 OF 1 REV D2

STE TE Connectivity
 NAME: TERMINAL BLOCK HEADER ASSEMBLY
 180 DEG OPEN ENDS, STACKING
 5.08mm PITCH

SIZE: A2 CAGE CODE: 00779 DRAWING NO: 282825 RESTRICTED TO: -

CUSTOMER DRAWING

X-ON Electronics

Largest Supplier of Electrical and Electronic Components

Click to view similar products for [Pluggable Terminal Blocks](#) category:

Click to view products by [TE Connectivity](#) manufacturer:

Other Similar products are found below :

[57.510.0053](#) [MC 1.5/ 6-ST-3.5 GY AU](#) [ET02015000J0G](#) [734-104](#) [734-302](#) [8-141-P](#) [8426620000](#) [860505](#) [860516](#) [860810](#) [GBPACX-12](#)
[PV05-5,08-K](#) [PVP02-5,00](#) [PVP03-3,50](#) [PVP04-3,50](#) [PVS02-5,00](#) [1-1986160-3](#) [1377680000](#) [1531000000](#) [1546228-5](#) [ELFH16150](#)
[ELFP03110](#) [ELFP10210](#) [ELFT06250](#) [ELVP03100](#) [1700101](#) [1700410](#) [1700425](#) [1702246](#) [1705229](#) [1710175](#) [1714537](#) [1717806](#) [1719600](#)
[1728941](#) [1734692](#) [1734795](#) [1736036](#) [1740194](#) [1740628](#) [1740990](#) [1746952](#) [1750207](#) [1752441](#) [1752865](#) [1754115](#) [1754144](#) [1756913](#)
[1760051](#) [1760336](#)