

THIS DRAWING IS UNPUBLISHED.

RELEASED FOR PUBLICATION

20

© COPYRIGHT 20

Tyco Electronics AMP GmbH

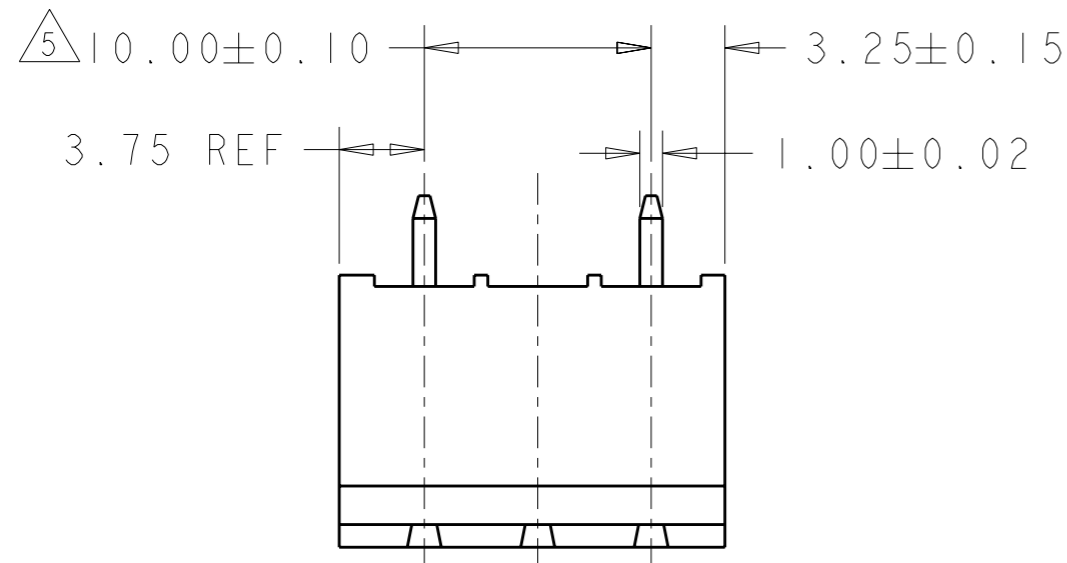
ALL RIGHTS RESERVED.

LOC
FT

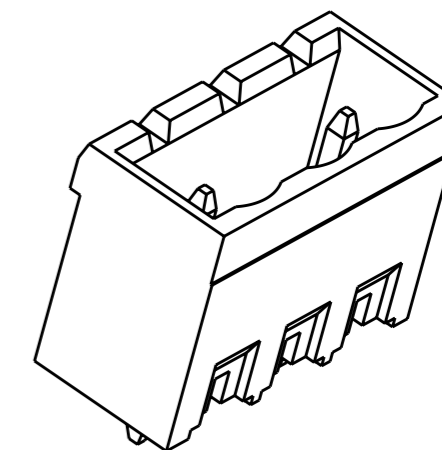
DIST
0

REVISIONS

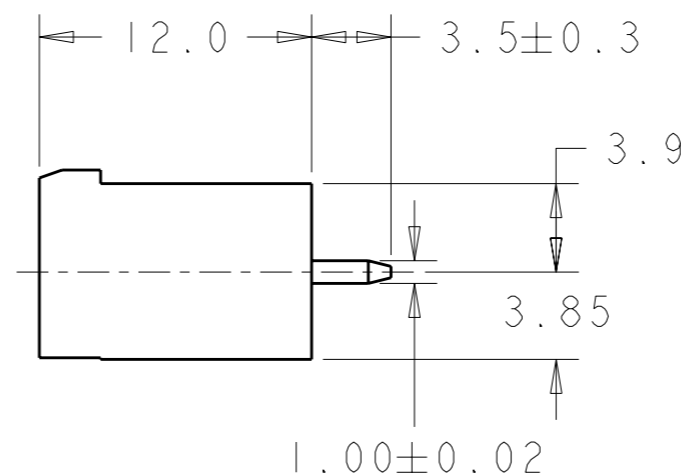
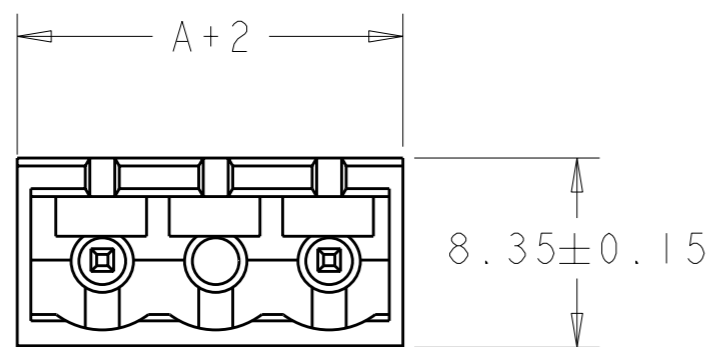
P	LTR	DESCRIPTION	DATE	DWN	APVD
	CI	REVISED PER ECO-12-007964	02MAY2012	KH	MS



- 1 MATERIALS AND FINISH
HOUSING: PA 6-6, UL 94-V0, COLOR GREEN.
TERMINAL: COPPER ALLOY, TIN PLATED.
- 2 SUITABLE FOR 1,6-2,4mm PC BOARD THICKNESS.
- 3 RECOGNIZED UNDER THE COMPONENT PROGRAM OF UNDERWRITERS LABORATORIES INC. FILE N° E60677.
- 4 IMQ CERTIFICATE WITH SURVEILLANCE IN CONFORMITY WITH IEC 998-1/998-2-1.
- 5 NOT CUMULATIVE TOLERANCE.

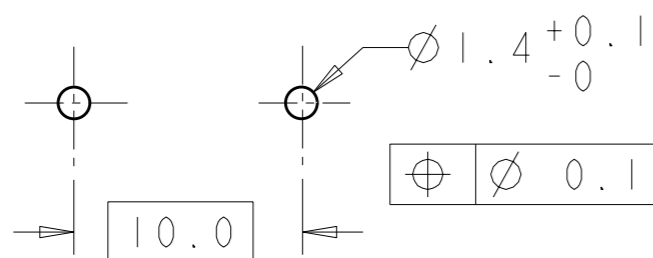


282826-2 AS SHOWN



125	13	1-282826-3
115	12	1-282826-2
105	11	1-282826-1
95	10	1-282826-0
85	9	282826-9
75	8	282826-8
65	7	282826-7
55	6	282826-6
45	5	282826-5
35	4	282826-4
25	3	282826-3
15	2	282826-2
DIM. A	N° OF POS.	PART NUMBER

RECOMMENDED PC BOARD LAYOUT



THIS DRAWING IS A CONTROLLED DOCUMENT.		DWN E. ZANOLINI 31 JUL 2001		TE Connectivity	
DIMENSIONS: mm		CHK D. BIEVENOUR 31 JUL 2001			
TOLERANCES UNLESS OTHERWISE SPECIFIED:		APVD D. BIEVENOUR 31 JUL 2001		NAME	
0 PLC ±.3		PRODUCT SPEC 108-20166		TERMINAL BLOCK HEADER ASSEMBLY	
1 PLC ±.25		APPLICATION SPEC 114-20079		180 DEGREE CLOSED ENDS	
2 PLC ±.25		WEIGHT -		10mm PITCH	
3 PLC ±.		SIZE A3		CAGE CODE 00779	
4 PLC ±.		DRAWING NO C-282826		RESTRICTED TO -	
ANGLES ±2		CUSTOMER DRAWING		SCALE 3:1	
FINISH		SHEET 1 OF 1		REV CI	

X-ON Electronics

Largest Supplier of Electrical and Electronic Components

Click to view similar products for [Pluggable Terminal Blocks](#) category:

Click to view products by [TE Connectivity](#) manufacturer:

Other Similar products are found below :

[57.510.0053](#) [MC 1.5/ 6-ST-3.5 GY AU](#) [ET02015000J0G](#) [734-104](#) [734-302](#) [8-141-P](#) [8426620000](#) [860505](#) [860516](#) [860810](#) [GBPACX-12](#)
[93.731.4953.0](#) [PV05-5,08-K](#) [PVP03-3,50](#) [PVP04-3,50](#) [PVS02-5,00](#) [1-1986160-3](#) [1377680000](#) [1531000000](#) [1546228-5](#) [ELFH16150](#)
[ELFP03110](#) [ELFP10210](#) [ELFT06250](#) [ELVP03100](#) [1700101](#) [1700410](#) [1700425](#) [1702246](#) [1705229](#) [1710175](#) [1714537](#) [1717806](#) [1719600](#)
[1728941](#) [1734692](#) [1734795](#) [1736036](#) [1740194](#) [1740628](#) [1740990](#) [1746952](#) [1750207](#) [1752441](#) [1752865](#) [1754115](#) [1754144](#) [1756913](#)
[1760051](#) [1760336](#)