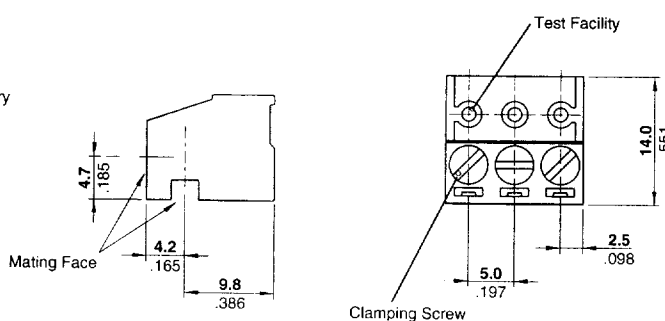
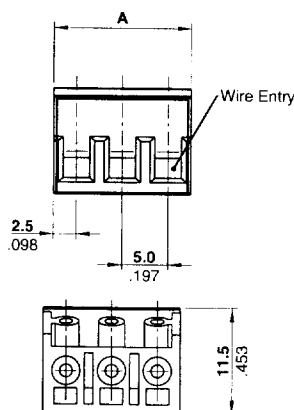
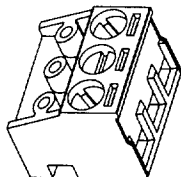


Special Plug Headers

**Special 90°/180°
Plug Connectors,
1.5 mm² Solid Wire,
5.0 mm Centerline
Color – Gray**

**UL Rating – 300 V, 12 A
14-30 AWG**



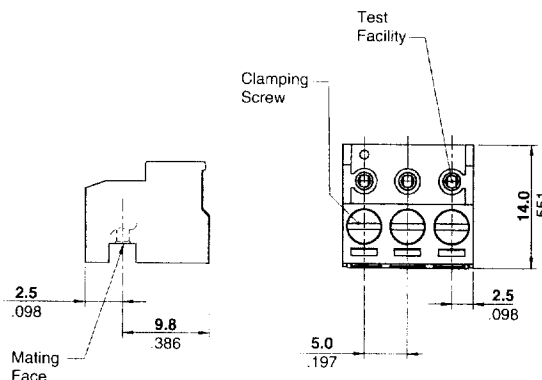
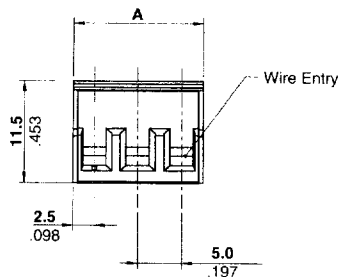
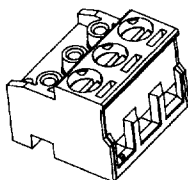
No. of Positions	Dim. A	Part Number
2	10.0 [0.394]	282830-2
3	15.0 [0.591]	282830-3
4	20.0 [0.787]	282830-4
5	25.0 [0.984]	282830-5
6	30.0 [1.181]	282830-6
7	35.0 [1.378]	282830-7
8	40.0 [1.575]	282830-8
9	45.0 [1.772]	282830-9
10	50.0 [1.968]	1-282830-0
11	55.0 [2.165]	1-282830-1
12	60.0 [2.362]	1-282830-2
13	65.0 [2.559]	1-282830-4

No. of Positions	Dim. A	Part Number
14	70.0 [0.591]	1-282830-5
15	75.0 [0.787]	1-282830-6
16	80.0 [0.984]	1-282830-7
17	85.0 [1.181]	1-282830-8
18	90.0 [1.378]	1-282830-9
19	95.0 [1.575]	2-282830-0
20	100.0 [1.772]	2-282830-1
21	105.0 [1.968]	2-282830-2
22	110.0 [2.165]	2-282830-3
23	115.0 [2.362]	2-282830-4
24	120.0 [2.362]	2-282830-5
25	125.0 [2.362]	2-282830-6

Note: Mates only with 282832-xx headers.

**Special 90°/270°
Plug Connectors
1.5 mm² Solid Wire
5.0 mm Centerline
Color – Gray**

**UL Rating – 300 V, 12 A
12-30 AWG**



No. of Positions	Dim. A	Part Number
2	10.0 [0.394]	284393-2
3	15.0 [0.591]	284393-3
4	20.0 [0.787]	284393-4
5	25.0 [0.984]	284393-5
6	30.0 [1.181]	284393-6
7	35.0 [1.378]	284393-7
8	40.0 [1.575]	284393-8
9	45.0 [1.772]	2849393-9
10	50.0 [1.968]	1-284393-0
11	55.0 [2.165]	1-284393-1
12	60.0 [2.362]	1-284393-2
13	65.0 [2.559]	1-284393-3

No. of Positions	Dim. A	Part Number
14	70.0 [0.591]	1-284393-4
15	75.0 [0.787]	1-284393-5
16	80.0 [0.984]	1-284393-6
17	85.0 [1.181]	1-284393-7
18	90.0 [1.378]	1-284393-8
19	95.0 [1.575]	1-284393-9
20	100.0 [1.772]	2-284393-0
21	105.0 [1.968]	2-284393-1
22	110.0 [2.165]	2-284393-2
23	115.0 [2.362]	2-284393-3
24	120.0 [2.362]	2-284393-4
25	125.0 [2.362]	2-284393-5

Note: Mates only with 282832-xx headers.

X-ON Electronics

Largest Supplier of Electrical and Electronic Components

Click to view similar products for [Pluggable Terminal Blocks](#) category:

Click to view products by [TE Connectivity](#) manufacturer:

Other Similar products are found below :

[57.510.0053](#) [MC 1.5/ 6-ST-3.5 GY AU](#) [734-104](#) [734-302](#) [8-141-P](#) [8426620000](#) [860505](#) [860516](#) [860810](#) [GBPACX-12](#) [93.731.4953.0](#) [PV05-5,08-K](#) [PVP03-3,50](#) [PVP04-3,50](#) [PVS02-5,00](#) [1-1986160-3](#) [1377680000](#) [1531000000](#) [1546228-5](#) [ELFH16150](#) [ELFP03110](#) [ELFP10210](#) [ELFT06250](#) [ELVP03100](#) [1700101](#) [1700410](#) [1700425](#) [1702246](#) [1705229](#) [1710175](#) [1714537](#) [1717806](#) [1719600](#) [1728941](#) [1734692](#) [1734795](#) [1736036](#) [1740194](#) [1740291](#) [1740628](#) [1740990](#) [1746952](#) [1750207](#) [1752441](#) [1752865](#) [1754115](#) [1754144](#) [1756913](#) [1760051](#) [1760336](#)