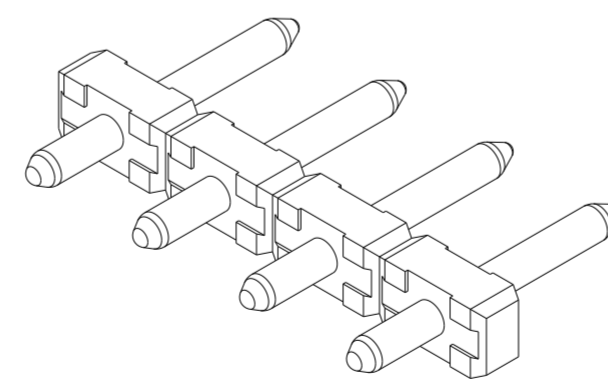
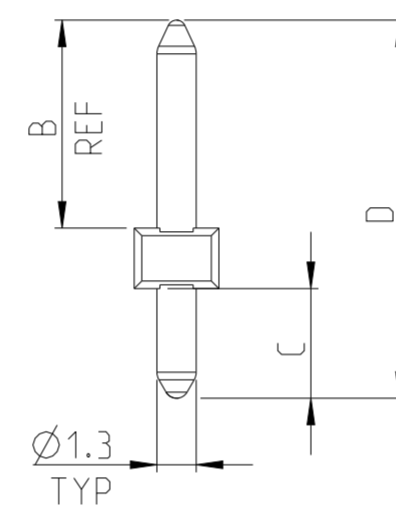
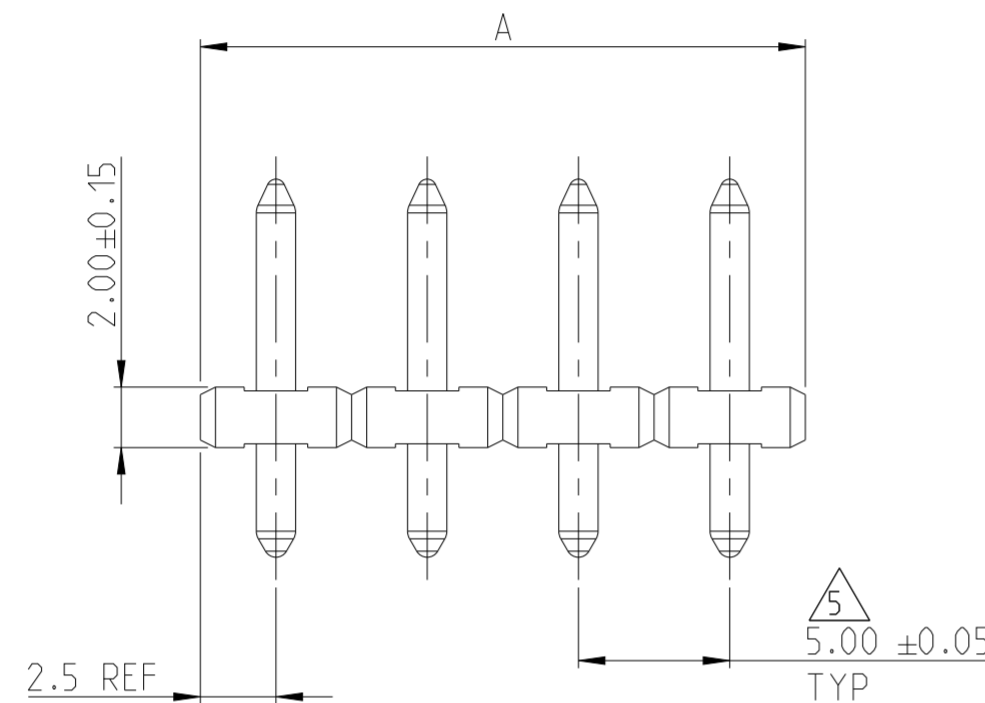
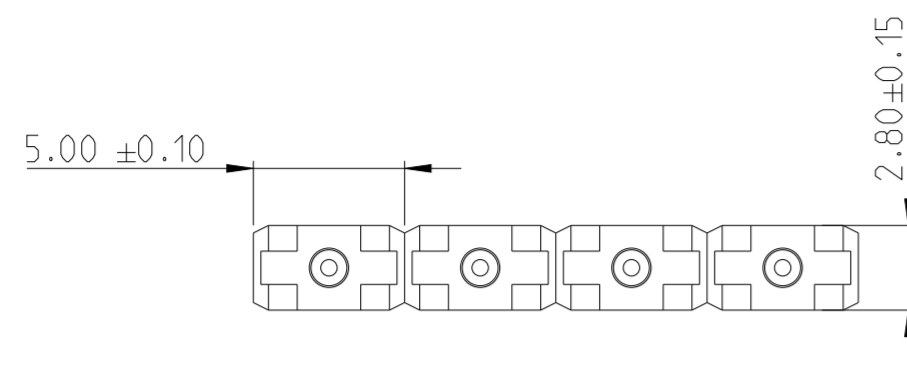
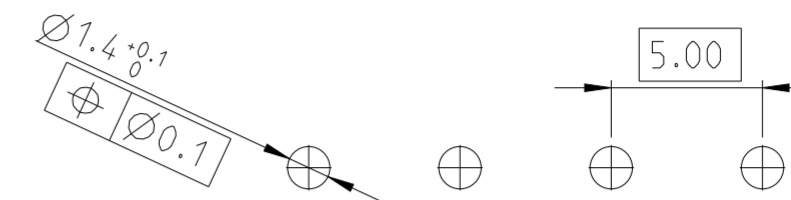


| P | LTR | DESCRIPTION | DATE | DWN | APVD |
|----|-----|--|-----------|-----|------|
| H8 | | PN 3-282832-9 IS RELEASED FOR PRODUCTION | 01JUL2019 | RK | PS |
| H9 | | PART STATUS UPDATED | 07JUL2021 | SB | SS |



282832-4 AS SHOWN



RECOMMENDED PC BOARD LAYOUT

| TERMINAL PLATING | D | C | B | A | NO OF POSN | PART NUMBER | |
|------------------|------|------|-----|------|------------|-------------|-----------------------|
| OBSOLETE | TIN | 20.5 | 3.5 | 15.0 | 45.0 | 9 | 4-282832-1 |
| | TIN | 20.5 | 4.5 | 14.0 | 30.0 | 6 | 4-282832-0 |
| OBSOLETE | TIN | 20.5 | 3.5 | 15.0 | 20.0 | 4 | 3-282832-9 |
| | TIN | 20.5 | 3.5 | 15.0 | 15.0 | 3 | 3-282832-8 |
| | | 16.5 | 3.5 | 11.0 | 20.0 | 4 | 3-282832-7 |
| | | 20.5 | 4.5 | 14.0 | 15.0 | 3 | 3-282832-6 |
| OBSOLETE | TIN | 21.1 | | 15.6 | 20.0 | 4 | 3-282832-5 |
| | | | | | 15.0 | 3 | 3-282832-4 |
| | | 16.5 | | 11.0 | 15.0 | 3 | 3-282832-3 |
| OBSOLETE | GOLD | | | | 10.0 | 2 | 3-282832-2 |
| | | | | | 15.0 | 3 | 2-282832-7 |
| | | | | | 125.0 | 25 | 2-282832-6 |
| | | | | | 120.0 | 24 | 2-282832-5 |
| | | | | | 115.0 | 23 | 2-282832-4 |
| | | | | | 110.0 | 22 | 2-282832-3 |
| OBSOLETE | | 12.5 | 3.5 | | 105.0 | 21 | 2-282832-2 |
| | | | | | 100.0 | 20 | 2-282832-1 |
| | | | | | 95.0 | 19 | 2-282832-0 |
| | | | | | 90.0 | 18 | 1-282832-9 |
| | | | | | 85.0 | 17 | 1-282832-8 |
| | | | | | 80.0 | 16 | 1-282832-7 |
| | | | | | 75.0 | 15 | 1-282832-6 |
| | | | | | 70.0 | 14 | 1-282832-5 |
| OBSOLETE | TIN | | | | 65.0 | 13 | 1-282832-4 |
| | | 16.5 | 3.5 | 11.0 | 40.0 | 8 | 1-282832-3 |
| | | | | | 60.0 | 12 | 1-282832-2 |
| | | | | | 55.0 | 11 | 1-282832-1 |
| | | | | | 50.0 | 10 | 1-282832-0 |
| | | | | | 45.0 | 9 | 282832-9 |
| | | | | | 40.0 | 8 | 282832-8 |
| | | | | | 35.0 | 7 | 282832-7 |
| | | | | | 30.0 | 6 | 282832-6 |
| | | | | | 25.0 | 5 | 282832-5 |
| | | | | | 20.0 | 4 | 282832-4 |
| | | | | | 15.0 | 3 | 282832-3 |
| | | | | | 10.0 | 2 | 282832-2 |

- NOTES:
- MATERIALS AND FINISH:
HOUSING: PA 4T, UL 94-V0, COLOR GREEN
TERMINAL: COPPER ALLOY, PLATING: SEE TABLE.
 - MECHANICAL
MIN. PC BOARD HOLES DIAMETER : 1.4mm
MAX. PC BOARD THICKNESS : 2.4mm
 - ELECTRICAL
MAX. VOLTAGE : 300 V
MAX CURRENT : 12 A
CONTACT RESISTANCE : < 15 m Ohm
INSULATION RESISTANCE : > 1000 M Ohm (500V DC)
 - OPERATING TEMPERATURE RANGE: -40°C TO +105°C
 - TOLERANCE NOT CUMULATIVE.
 - END-TO-END STACKABLE WITHOUT LOSS OF CENTERLINE SPACING.
 - RECOGNIZED UNDER THE COMPONENT PROGRAM OF UNDERWRITERS LABORATORIES INC. FILE NO E60677.

THIS DRAWING IS A CONTROLLED DOCUMENT.

DIMENSIONS: mm

TOLERANCES UNLESS OTHERWISE SPECIFIED:

| | | |
|--------|-------|-----|
| 0 PLC | ± | |
| 1 PLC | ±0.3 | |
| 2 PLC | ±0.25 | |
| 3 PLC | ± | |
| 4 PLC | ± | |
| ANGLES | | ±2° |
| FINISH | | |

MATERIAL: SEE NOTES

FINISH: SEE NOTES

APPROVALS:

| | | |
|------|--------------|-------------|
| DWN | E. ZANDLIN | 14 AUG 2001 |
| CHK | D. BIEVENOUR | 14 AUG 2001 |
| APVD | D. BIEVENOUR | 14 AUG 2001 |

NAME: D. BIEVENOUR

PRODUCT SPEC: -

APPLICATION SPEC: -

WEIGHT: -

CUSTOMER DRAWING

SCALE: 4:1

SHEET: 1 OF 1

REV: H9

TE Connectivity

TERMINAL BLOCK PIN HEADER
UNSHROUDED
5.0 mm PITCH

SIZE: A2

CAGE CODE: 100779

DRAWING NO: C-282832

RESTRICTED TO: -

X-ON Electronics

Largest Supplier of Electrical and Electronic Components

Click to view similar products for [Pluggable Terminal Blocks](#) category:

Click to view products by [TE Connectivity](#) manufacturer:

Other Similar products are found below :

[57.510.0053](#) [MC 1.5/ 6-ST-3.5 GY AU](#) [ET02015000J0G](#) [734-104](#) [734-302](#) [8-141-P](#) [8426620000](#) [860505](#) [860516](#) [860810](#) [GBPACX-12](#)
[PV05-5,08-K](#) [PVP02-5,00](#) [PVP03-3,50](#) [PVP04-3,50](#) [PVS02-5,00](#) [1-1986160-3](#) [1377680000](#) [1531000000](#) [1546228-5](#) [ELFH16150](#)
[ELFP03110](#) [ELFP10210](#) [ELFT06250](#) [ELVP03100](#) [1700101](#) [1700410](#) [1700425](#) [1702246](#) [1705229](#) [1710175](#) [1714537](#) [1717806](#) [1719600](#)
[1728941](#) [1734692](#) [1734795](#) [1736036](#) [1740194](#) [1740628](#) [1740990](#) [1746952](#) [1750207](#) [1752441](#) [1752865](#) [1754115](#) [1754144](#) [1756913](#)
[1760051](#) [1760336](#)