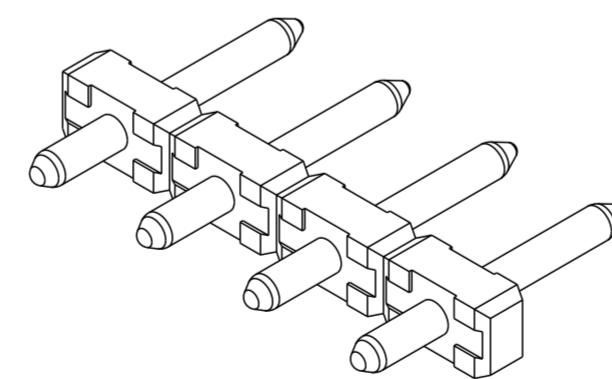
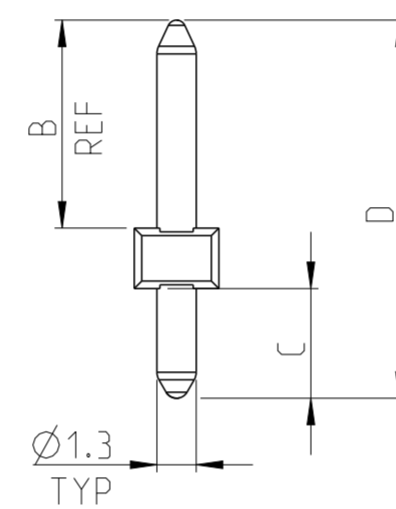
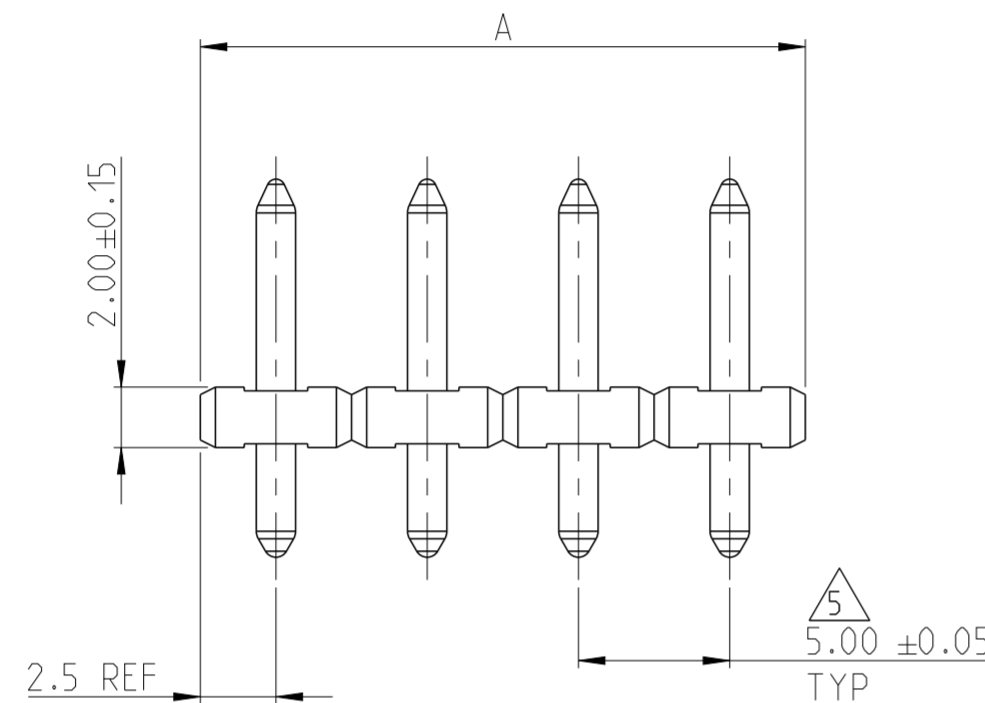
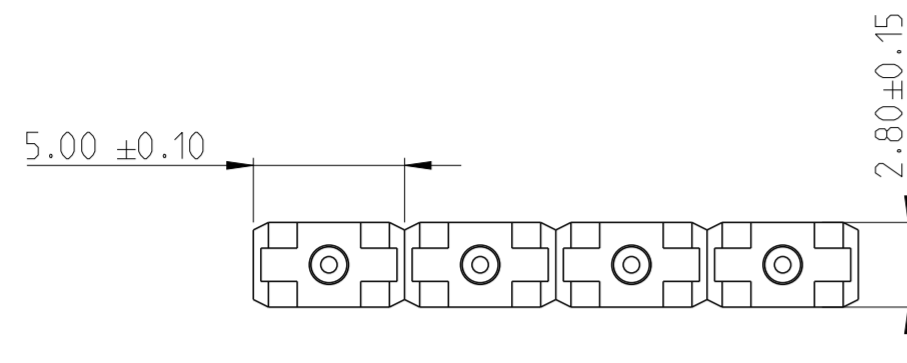
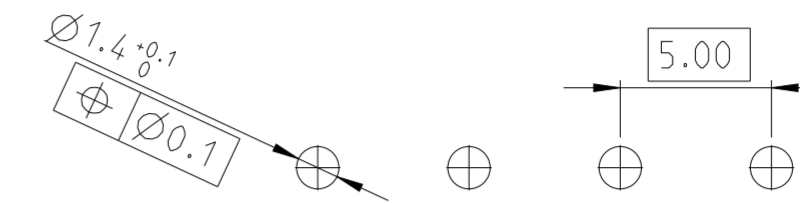


REVISIONS					
P	LTR	DESCRIPTION	DATE	DWN	APVD
	H8	PN 3-282832-9 IS RELEASED FOR PRODUCTION	01JUL2019	RK	PS



282832-4 AS SHOWN



RECOMMENDED PC BOARD LAYOUT

PRELIMINARY	TIN	20.5	3.5	15.0	45.0	9	4-282832-1
	TIN	20.5	4.5	14.0	30.0	6	4-282832-0
	TIN	20.5	3.5	15.0	20.0	4	3-282832-9
PRELIMINARY	TIN	20.5	3.5	15.0	15.0	3	3-282832-8
		16.5	3.5	11.0	20.0	4	3-282832-7
		20.5	4.5	14.0	15.0	3	3-282832-6
OBSOLETE	TIN	21.1		15.6	20.0	4	3-282832-5
					15.0	3	3-282832-4
OBSOLETE	GOLD	16.5		11.0	15.0	3	3-282832-3
					10.0	2	3-282832-2
OBSOLETE		12.5	3.5	7.0	15.0	3	2-282832-7
					125.0	25	2-282832-6
					120.0	24	2-282832-5
					115.0	23	2-282832-4
					110.0	22	2-282832-3
					105.0	21	2-282832-2
					100.0	20	2-282832-1
					95.0	19	2-282832-0
					90.0	18	1-282832-9
					85.0	17	1-282832-8
					80.0	16	1-282832-7
					75.0	15	1-282832-6
					70.0	14	1-282832-5
OBSOLETE	TIN	16.5	3.5	11.0	65.0	13	1-282832-4
					40.0	8	1-282832-3
					60.0	12	1-282832-2
					55.0	11	1-282832-1
					50.0	10	1-282832-0
					45.0	9	282832-9
					40.0	8	282832-8
					35.0	7	282832-7
					30.0	6	282832-6
					25.0	5	282832-5
					20.0	4	282832-4
					15.0	3	282832-3
					10.0	2	282832-2
TERMINAL PLATING		D	C	B	A	NO OF POSN	PART NUMBER

- NOTES:
- MATERIALS AND FINISH:
HOUSING: PA 4T, UL 94-V0, COLOR GREEN
TERMINAL: COPPER ALLOY, PLATING: SEE TABLE.
 - MECHANICAL
MIN. PC BOARD HOLES DIAMETER : 1.4mm
MAX. PC BOARD THICKNESS : 2.4mm
 - ELECTRICAL
MAX. VOLTAGE : 300 V
MAX CURRENT : 12 A
CONTACT RESISTANCE : < 15 m Ohm
INSULATION RESISTANCE : > 1000 M Ohm (500V DC)
 - OPERATING TEMPERATURE RANGE: -40°C TO +105°C
 - TOLERANCE NOT CUMULATIVE.
 - END-TO-END STACKABLE WITHOUT LOSS OF CENTERLINE SPACING.
 - RECOGNIZED UNDER THE COMPONENT PROGRAM OF UNDERWRITERS LABORATORIES INC. FILE NO E60677.

THIS DRAWING IS A CONTROLLED DOCUMENT.

DIMENSIONS: mm	TOLERANCES UNLESS OTHERWISE SPECIFIED:	DWN E. ZANDLIN 14 AUG 2001	 TE Connectivity
		CHK D. BIEVENOUR 14 AUG 2001	
		APVD D. BIEVENOUR 14 AUG 2001	
		NAME	
MATERIAL SEE NOTES	FINISH SEE NOTES	PRODUCT SPEC	TERMINAL BLOCK PIN HEADER UNSHROUDED 5.0 mm PITCH
		APPLICATION SPEC	SIZE CAGE CODE DRAWING NO RESTRICTED TO
		WEIGHT	A2 100779 C-282832
		CUSTOMER DRAWING	SCALE 4:1 SHEET 1 OF 1 REV H8

X-ON Electronics

Largest Supplier of Electrical and Electronic Components

Click to view similar products for [Pluggable Terminal Blocks](#) category:

Click to view products by [TE Connectivity](#) manufacturer:

Other Similar products are found below :

[57.510.0053](#) [MC 1.5/ 6-ST-3.5 GY AU](#) [ET02015000J0G](#) [734-104](#) [734-302](#) [8-141-P](#) [8426620000](#) [860505](#) [860516](#) [860810](#) [GBPACX-12](#)
[93.731.4953.0](#) [PV05-5,08-K](#) [PVP03-3,50](#) [PVP04-3,50](#) [PVS02-5,00](#) [1-1986160-3](#) [1377680000](#) [1531000000](#) [1546228-5](#) [ELFH16150](#)
[ELFP03110](#) [ELFP10210](#) [ELFT06250](#) [ELVP03100](#) [1700101](#) [1700410](#) [1700425](#) [1702246](#) [1705229](#) [1710175](#) [1714537](#) [1717806](#) [1719600](#)
[1728941](#) [1734692](#) [1734795](#) [1736036](#) [1740194](#) [1740628](#) [1740990](#) [1746952](#) [1750207](#) [1752441](#) [1752865](#) [1754115](#) [1754144](#) [1756913](#)
[1760051](#) [1760336](#)