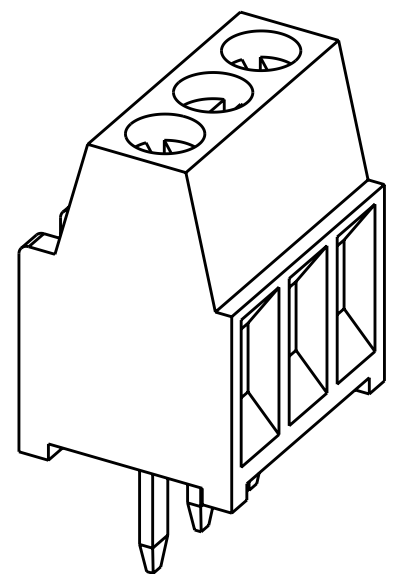
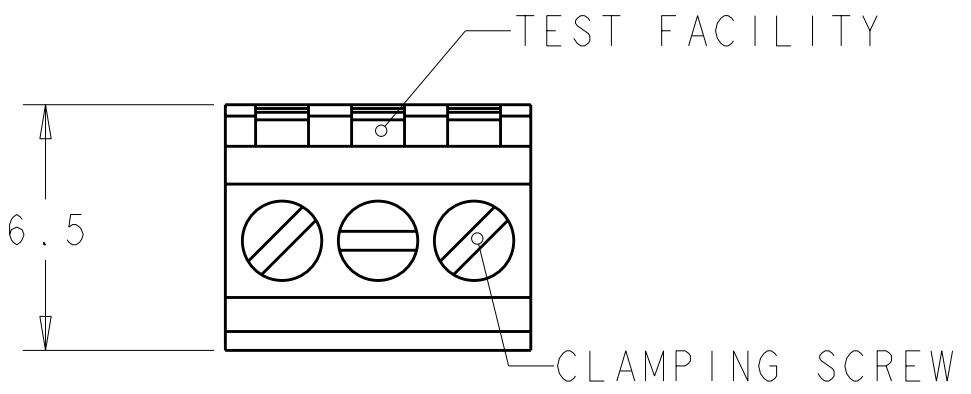


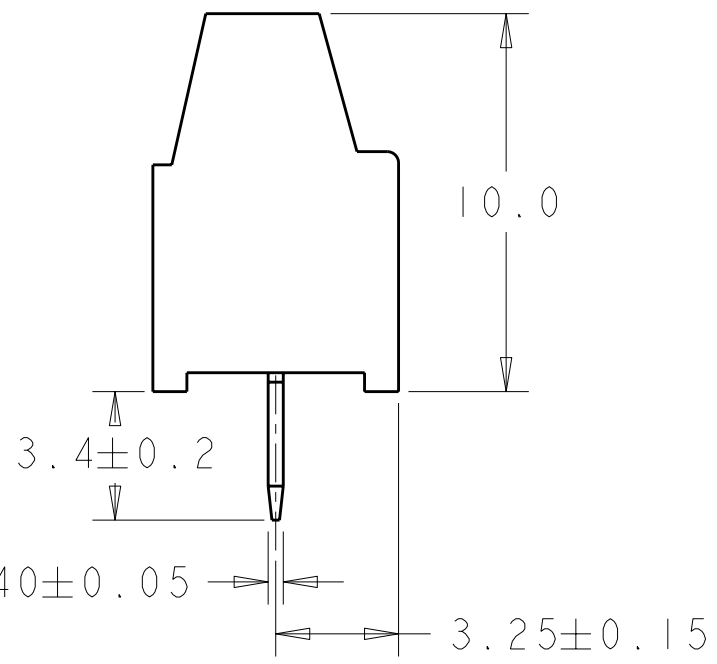
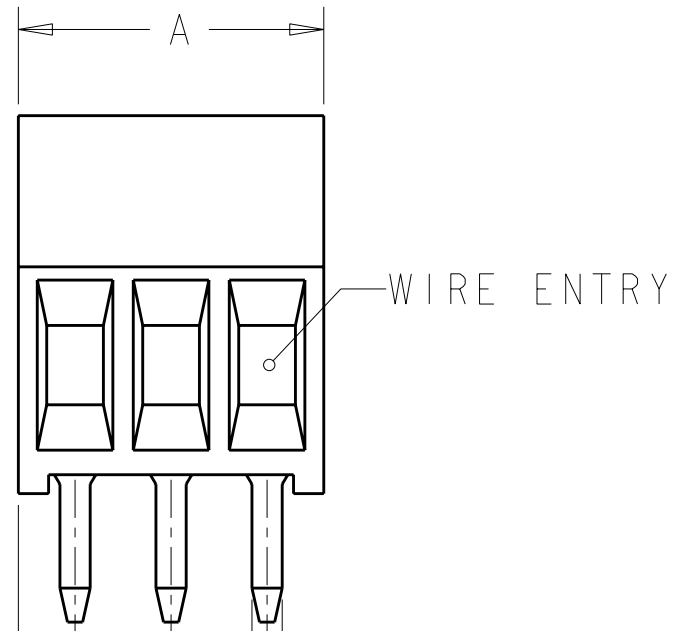
THIS DRAWING IS UNPUBLISHED. RELEASED FOR PUBLICATION 20
 © COPYRIGHT 20 ALL RIGHTS RESERVED.

LOC	DIST	REVISIONS			
P	LTR	DESCRIPTION	DATE	DWN	APVD
FT	0	C1	REVISED PER ECO-11-007905	15APR2011	HMR CR



282834-3 AS SHOWN

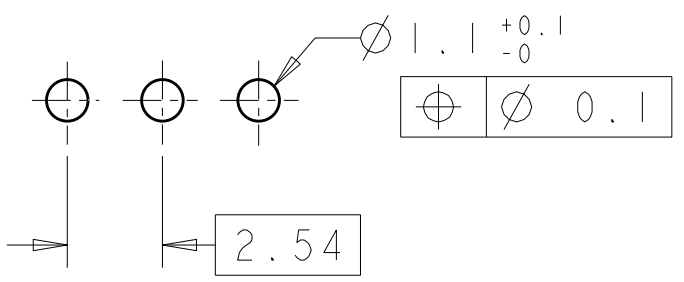
- 1 MATERIALS AND FINISH
 HOUSING: PA 6-6, UL 94-V0, COLOR GREEN.
 CLAMP: BRASS, NICKEL PLATED.
 TERMINAL: BRASS, TIN PLATED.
 CLAMPING SCREW: M1.6, STAINLESS STEEL.
- 2 SUITABLE FOR 1,6-2,4mm PC BOARD THICKNESS.
- 3 CONNECTION POWER
 SOLID WIRE: 0,03-1mm (17AWG).
 STRANDED WIRE: 0,03-0,75mm (18AWG)₂
- 4 RECOGNIZED UNDER THE COMPONENT PROGRAM OF
 UNDERWRITERS LABORATORIES INC. FILE N° E60677.
- 5 POSSIBILITY TO PUT TWO OR THREE TERMINAL BLOCKS
 SIDE BY SIDE BY INCREASING THE DIAMETER OF THE
 PCB HOLES TO MINIMUM 1,3mm.
- 6 NOT CUMULATIVE TOLERANCE.
- 7 TORQUE: 1.73 in-lbs MAX



1.5 REF
 2.54 ± 0.05
 0.80 ± 0.05

DIM. A	N° OF POS.	PART NUMBER
30.94	12	1-282834-2
28.40	11	1-282834-1
25.86	10	1-282834-0
23.32	9	282834-9
20.78	8	282834-8
18.24	7	282834-7
15.70	6	282834-6
13.16	5	282834-5
10.62	4	282834-4
8.08	3	282834-3
5.54	2	282834-2

RECOMMENDED PC BOARD LAYOUT



THIS DRAWING IS A CONTROLLED DOCUMENT.		DWN E. ZANOLINI 15AUG2001		TE Connectivity	
DIMENSIONS: mm		CHK D. BIEVENOUR 15AUG2001			
TOLERANCES UNLESS OTHERWISE SPECIFIED:		APVD D. BIEVENOUR 15AUG2001		NAME	
0 PLC ±-		PRODUCT SPEC		TERMINAL BLOCK PCB MOUNT	
1 PLC ±.3		108-20166		SIDE WIRE ENTRY STACKING	
2 PLC ±.25		APPLICATION SPEC		2.54mm PITCH	
3 PLC ±-		114-20079		SIZE	
4 PLC ±-		WEIGHT -		CAGE CODE	
ANGLES ±2		CUSTOMER DRAWING		DRAWING NO	
MATERIAL		FINISH		RESTRICTED TO	
				A300779C-282834	
				SCALE 5:1	
				SHEET 1 OF 1	
				REV C1	

X-ON Electronics

Largest Supplier of Electrical and Electronic Components

Click to view similar products for [Fixed Terminal Blocks](#) category:

Click to view products by [TE Connectivity](#) manufacturer:

Other Similar products are found below :

[MBE-1512](#) [MBE-154](#) [MBE-156](#) [MBES-153](#) [MBES-156](#) [MH-2512](#) [MHE-132](#) [MHE-163](#) [MI-254 \(35\)](#) [MI-272](#) [880507](#) [MPT-275](#)
[15602-04-08-21](#) [ELM023100](#) [BA311TU](#) [BA411SU](#) [MV-152](#) [MV-252-D](#) [MV-253/NCNOC](#) [MV-254-D](#) [MV-255](#) [MV-462](#) [MV-493](#) [MVE-](#)
[252](#) [MVE-253](#) [MVE-273](#) [MVEB-153](#) [1700096](#) [1705142](#) [1712417](#) [1713020](#) [1713088](#) [1745195](#) [1760594](#) [1776118-2](#) [1790852](#) [1-796689-8](#)
[1-796692-6](#) [1800001](#) [1800114](#) [1995279](#) [20020314-C121B01LF](#) [CB2-12](#) [KP03215000J0G](#) [KP04215000J0G](#) [S451](#) [282802-2](#) [29.007](#) [29.116](#)
[30.103](#)