

THIS DRAWING IS UNPUBLISHED.

RELEASED FOR PUBLICATION

20

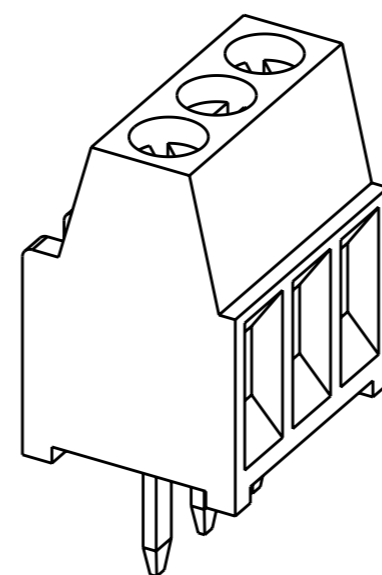
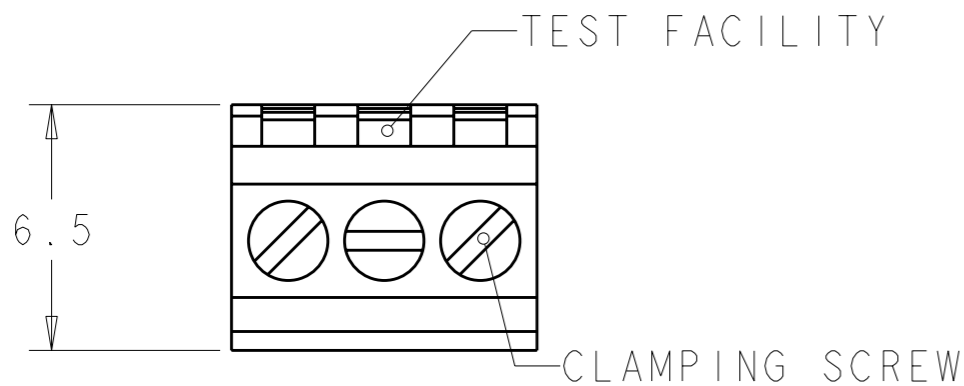
© COPYRIGHT 20

ALL RIGHTS RESERVED.

LOC FT DIST 0

REVISIONS

P	LTR	DESCRIPTION	DATE	DWN	APVD
	CI	REVISED PER ECO-11-007905	15APR2011	HMR	CR



282834-3 AS SHOWN

1 MATERIALS AND FINISH
 HOUSING: PA 6-6, UL 94-V0, COLOR GREEN.
 CLAMP: BRASS, NICKEL PLATED.
 TERMINAL: BRASS, TIN PLATED.
 CLAMPING SCREW: M1.6, STAINLESS STEEL.

2 SUITABLE FOR 1,6-2,4mm PC BOARD THICKNESS.

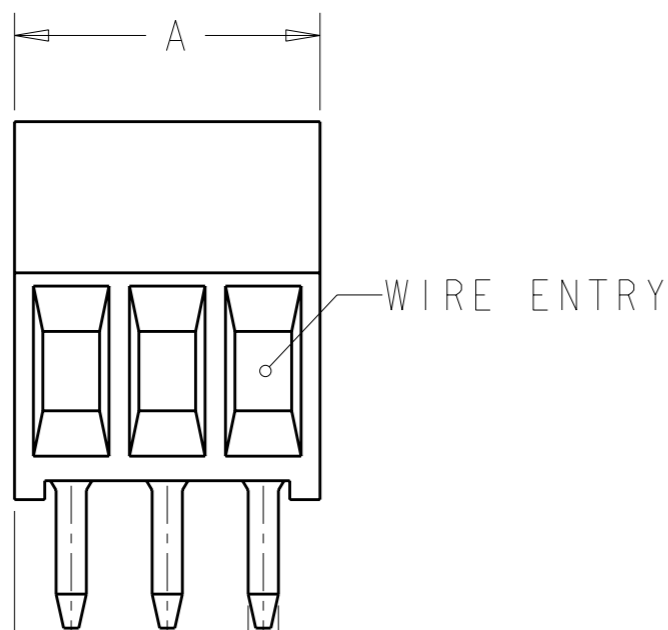
3 CONNECTION POWER
 SOLID WIRE: 0,03-1mm (17AWG).
 STRANDED WIRE: 0,03-0,75mm (18AWG)₂

4 RECOGNIZED UNDER THE COMPONENT PROGRAM OF UNDERWRITERS LABORATORIES INC. FILE N° E60677.

5 POSSIBILITY TO PUT TWO OR THREE TERMINAL BLOCKS SIDE BY SIDE BY INCREASING THE DIAMETER OF THE PCB HOLES TO MINIMUM 1,3mm.

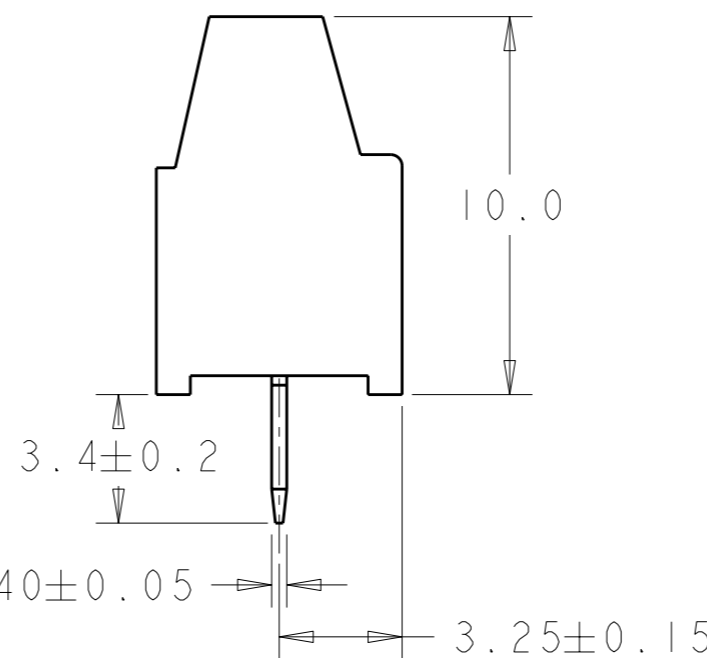
6 NOT CUMULATIVE TOLERANCE.

7 TORQUE: 1.73 in-lbs MAX



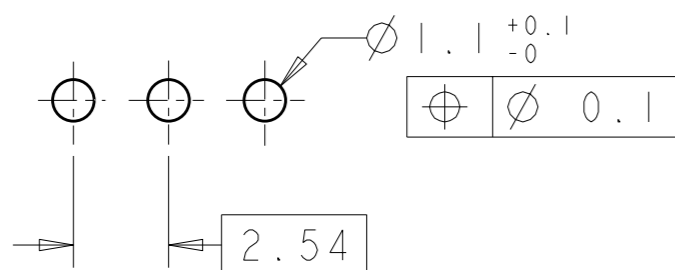
1.5 REF 0.80±0.05

6 2.54±0.05



30.94	12	1-282834-2
28.40	11	1-282834-1
25.86	10	1-282834-0
23.32	9	282834-9
20.78	8	282834-8
18.24	7	282834-7
15.70	6	282834-6
13.16	5	282834-5
10.62	4	282834-4
8.08	3	282834-3
5.54	2	282834-2
DIM. A	N° OF POS.	PART NUMBER

RECOMMENDED PC BOARD LAYOUT



THIS DRAWING IS A CONTROLLED DOCUMENT.		DWN E. ZANOLINI 15AUG2001	TE Connectivity		
DIMENSIONS: mm		CHK D. BIEVENOUR 15AUG2001			
TOLERANCES UNLESS OTHERWISE SPECIFIED:		APVD D. BIEVENOUR 15AUG2001			
0 PLC ±- 1 PLC ±.3 2 PLC ±.25 3 PLC ±- 4 PLC ±- ANGLES ±2		PRODUCT SPEC 108-20166			
MATERIAL	FINISH	APPLICATION SPEC 114-20079	NAME		
		WEIGHT -	TERMINAL BLOCK PCB MOUNT SIDE WIRE ENTRY STACKING 2.54mm PITCH		
CUSTOMER DRAWING		SIZE A3	CAGE CODE 00779	DRAWING NO C-282834	RESTRICTED TO -
		SCALE 5:1	SHEET 1	OF 1	REV CI

X-ON Electronics

Largest Supplier of Electrical and Electronic Components

Click to view similar products for [Fixed Terminal Blocks](#) category:

Click to view products by [TE Connectivity](#) manufacturer:

Other Similar products are found below :

[MBE-1512](#) [MBE-154](#) [MBE-156](#) [MBES-153](#) [MBES-156](#) [MH-2512](#) [MHE-132](#) [MHE-163](#) [MI-254 \(35\)](#) [MI-272](#) [880507](#) [MPT-275](#)
[15602-04-08-21](#) [ELM023100](#) [BA311TU](#) [BA411SU](#) [MV-152](#) [MV-252-D](#) [MV-253/NCNOC](#) [MV-254-D](#) [MV-255](#) [MV-462](#) [MV-493](#) [MVE-](#)
[252](#) [MVE-253](#) [MVE-273](#) [MVEB-153](#) [1700096](#) [1705142](#) [1712417](#) [1713020](#) [1713088](#) [1745195](#) [1760594](#) [1776118-2](#) [1790852](#) [1-796689-8](#)
[1-796692-6](#) [1800001](#) [1800114](#) [1995279](#) [20020314-C121B01LF](#) [CB2-12](#) [KP03215000J0G](#) [KP04215000J0G](#) [S451](#) [282802-2](#) [29.007](#) [29.116](#)
[30.103](#)