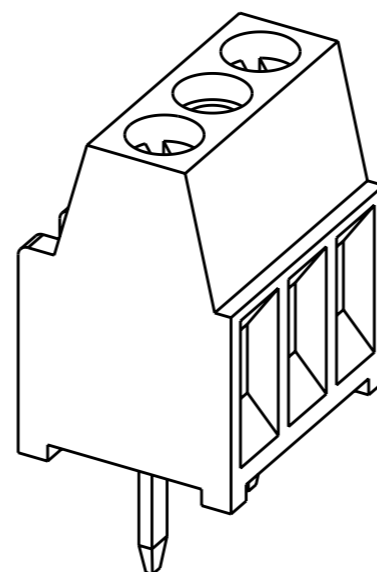
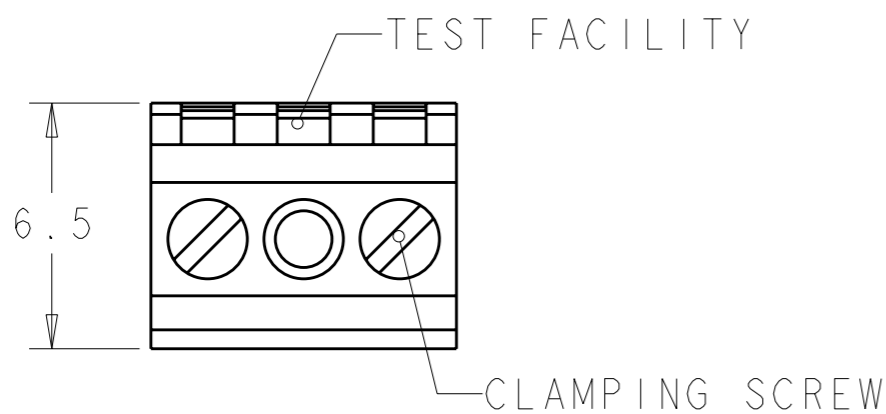


LOC
FT

DIST
0

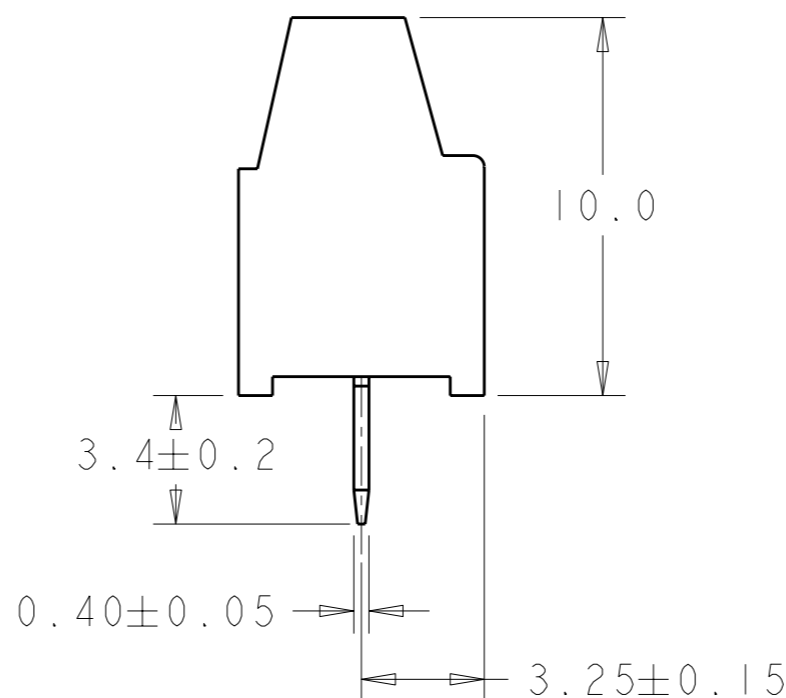
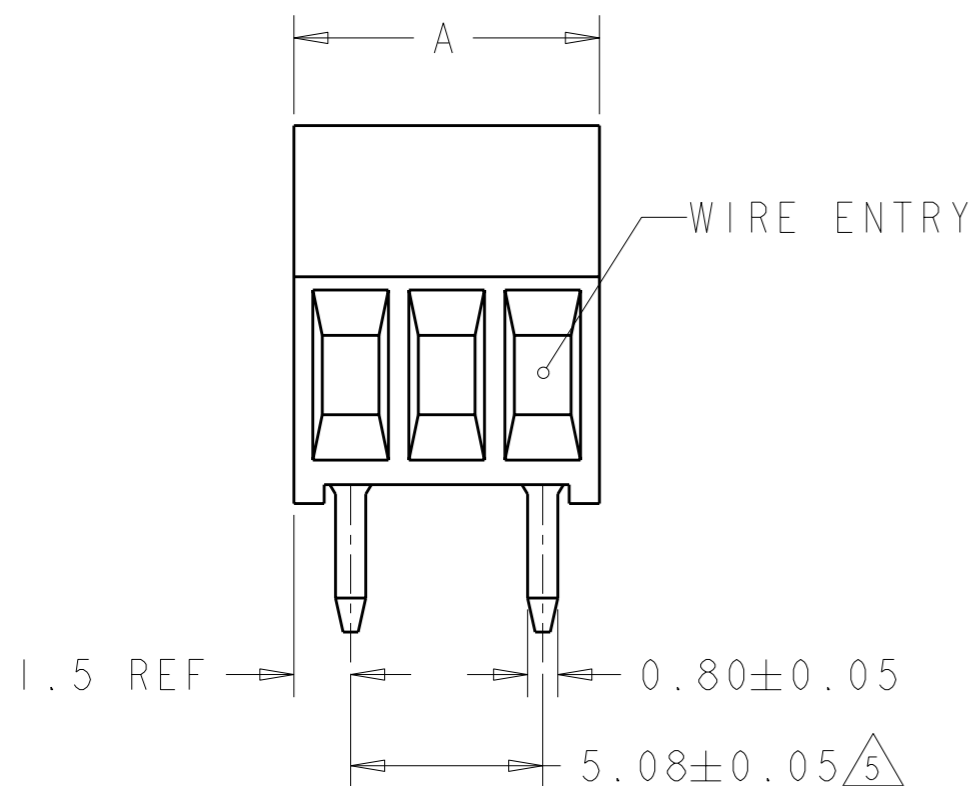
REVISIONS

P	LTR	DESCRIPTION	DATE	DWN	APVD
	CI	REVISED PER ECO-11-007905	15APR2011	HMR	CR



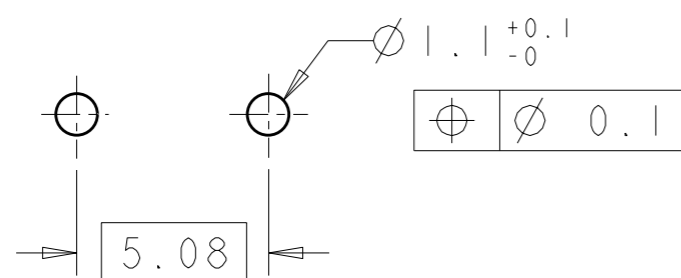
282835-2 AS SHOWN

- 1 MATERIALS AND FINISH
HOUSING: PA 6-6, UL 94-V0, COLOR GREEN.
CLAMP: BRASS, NICKEL PLATED.
TERMINAL: BRASS, TIN PLATED.
CLAMPING SCREW: M1.6, STAINLESS STEEL.
- 2 SUITABLE FOR 1,6-2,4mm PC BOARD THICKNESS.
- 3 CONNECTION POWER
SOLID WIRE: 0,03-1mm² (17AWG).
STRANDED WIRE: 0,03-0,75mm² (18AWG).
- 4 RECOGNIZED UNDER THE COMPONENT PROGRAM OF
UNDERWRITERS LABORATORIES INC. FILE N° E60677.
- 5 NOT CUMULATIVE TOLERANCE.
- 6 TORQUE: 1.73 in-lbs MAX



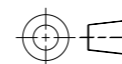
28.40	6	282835-6
23.32	5	282835-5
18.24	4	282835-4
13.16	3	282835-3
8.08	2	282835-2
DIM. A	N° OF POS.	PART NUMBER

RECOMMENDED PC BOARD LAYOUT



THIS DRAWING IS A CONTROLLED DOCUMENT.

DIMENSIONS:
mm



TOLERANCES UNLESS OTHERWISE SPECIFIED:

- 0 PLC ±-
- 1 PLC ±.3
- 2 PLC ±.25
- 3 PLC ±-
- 4 PLC ±-
- ANGLES ±2

MATERIAL



FINISH



DWN E. ZANOLINI 15AUG2001

CHK D. BIEVENOUR 15AUG2001

APVD D. BIEVENOUR 15AUG2001

PRODUCT SPEC

108-20166

APPLICATION SPEC

114-20079

WEIGHT -

CUSTOMER DRAWING



NAME
TERMINAL BLOCK PCB MOUNT
SIDE ENTRY WIRE
5.08mm PITCH

SIZE CAGE CODE DRAWING NO RESTRICTED TO

A300779 C-282835 -

SCALE 5:1 SHEET 1 OF 1 REV CI

X-ON Electronics

Largest Supplier of Electrical and Electronic Components

Click to view similar products for [Fixed Terminal Blocks](#) category:

Click to view products by [TE Connectivity](#) manufacturer:

Other Similar products are found below :

[MBE-1512](#) [MBE-154](#) [MBE-156](#) [MBES-153](#) [MBES-156](#) [MH-2512](#) [MHE-132](#) [MHE-163](#) [MI-254 \(35\)](#) [MI-272](#) [880507](#) [MPT-275](#)
[15602-04-08-21](#) [BA311TU](#) [BA411SU](#) [MV-152](#) [MV-252-D](#) [MV-253/NCNOC](#) [MV-254-D](#) [MV-255](#) [MV-462](#) [MV-493](#) [MVE-252](#) [MVE-253](#)
[MVE-273](#) [MVEB-153](#) [1700096](#) [1705142](#) [1712417](#) [1713020](#) [1713088](#) [1745195](#) [1760594](#) [1776118-2](#) [1790852](#) [1-796689-8](#) [1-796692-6](#)
[1800001](#) [1800114](#) [1995279](#) [20020314-C121B01LF](#) [20020316-G041B01LF](#) [CB2-12](#) [KP03215000J0G](#) [KP04215000J0G](#) [S451](#) [282802-2](#)
[29.007](#) [29.116](#) [30.103](#)