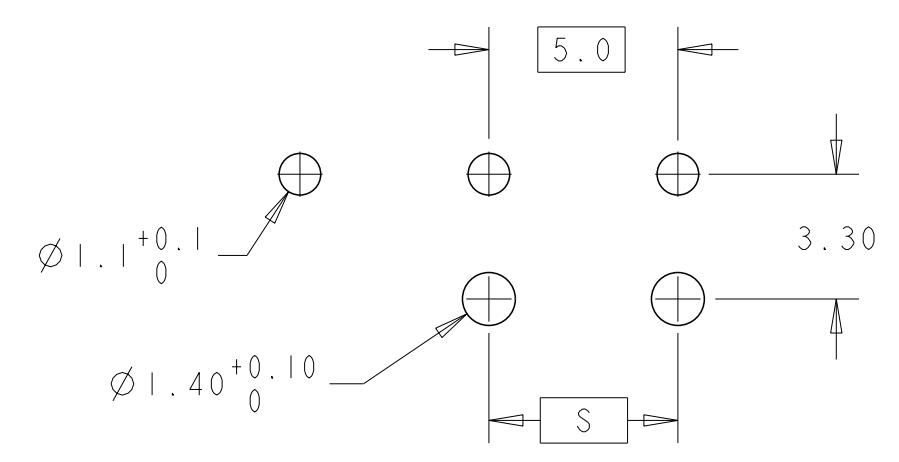
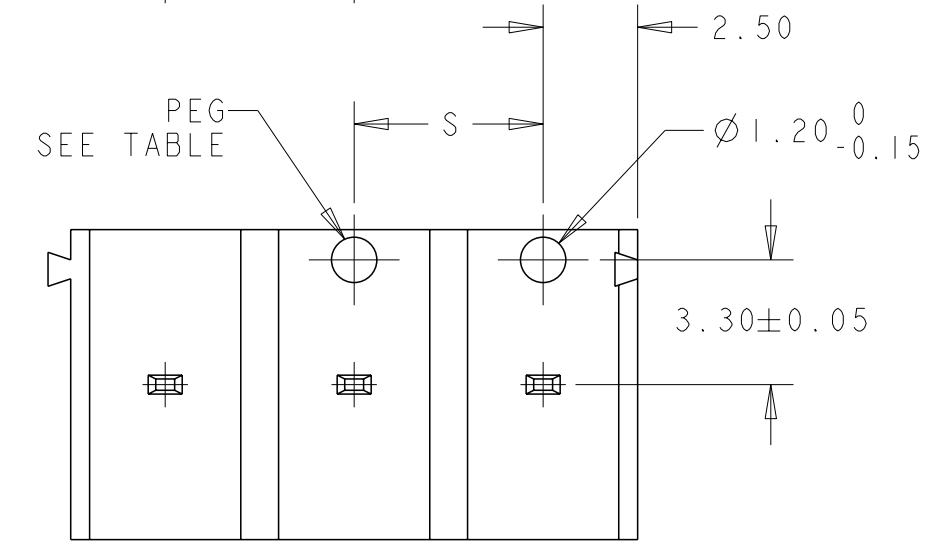
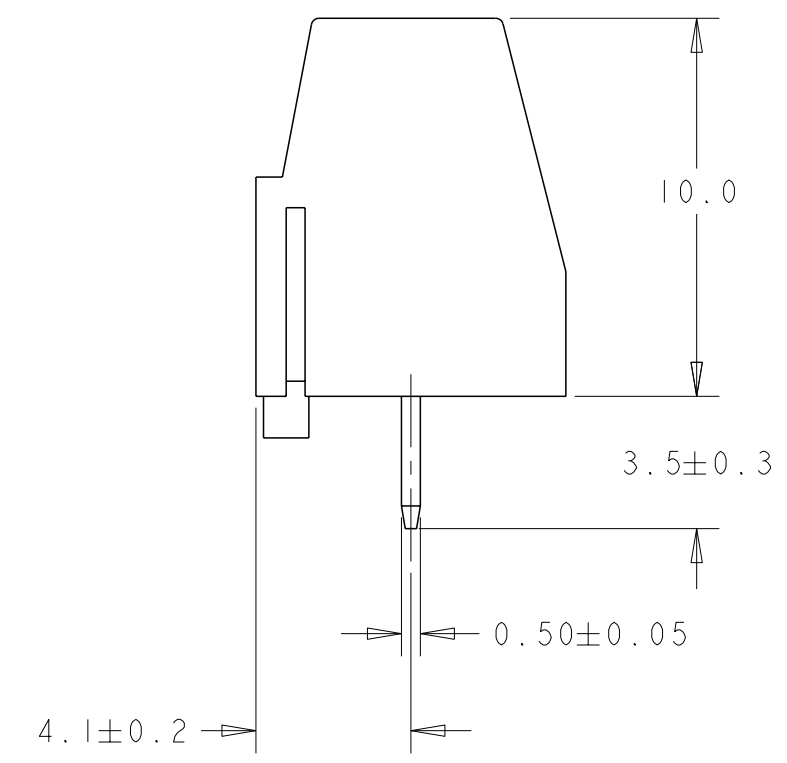
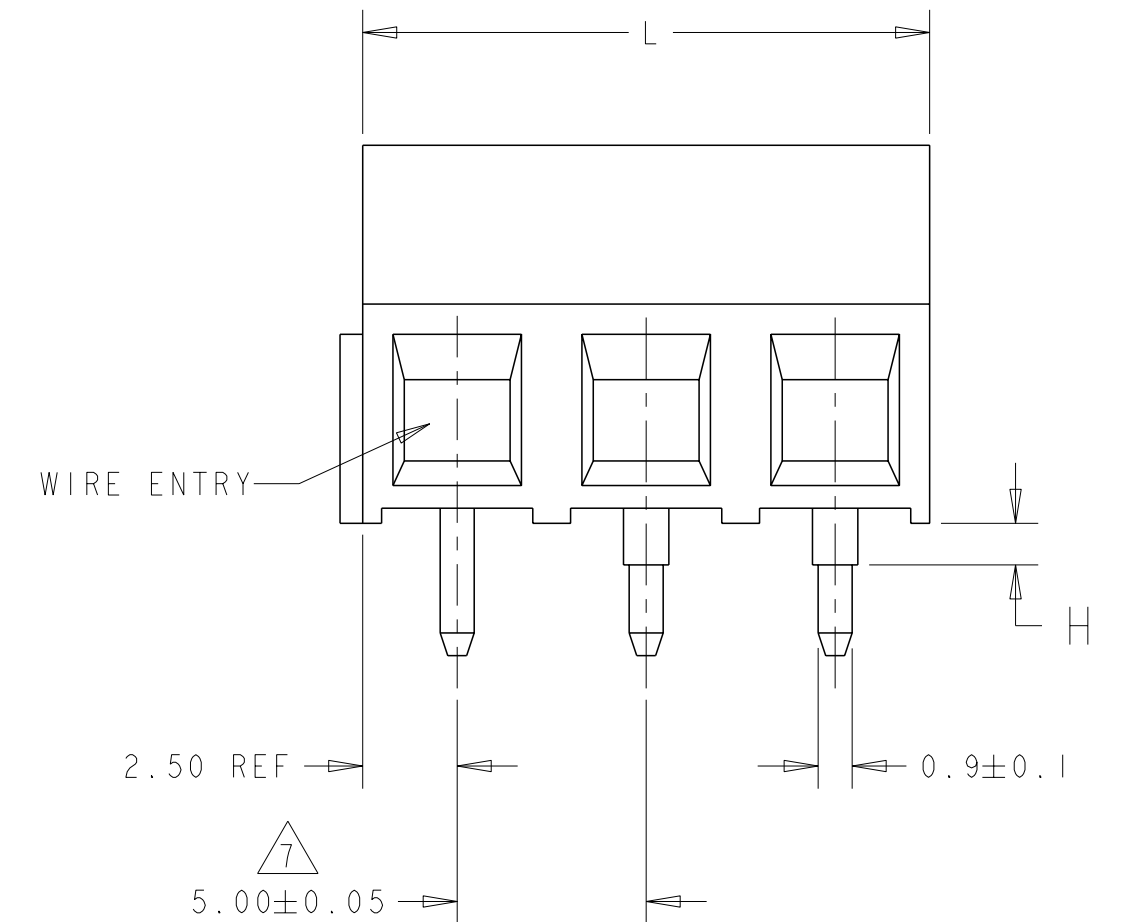
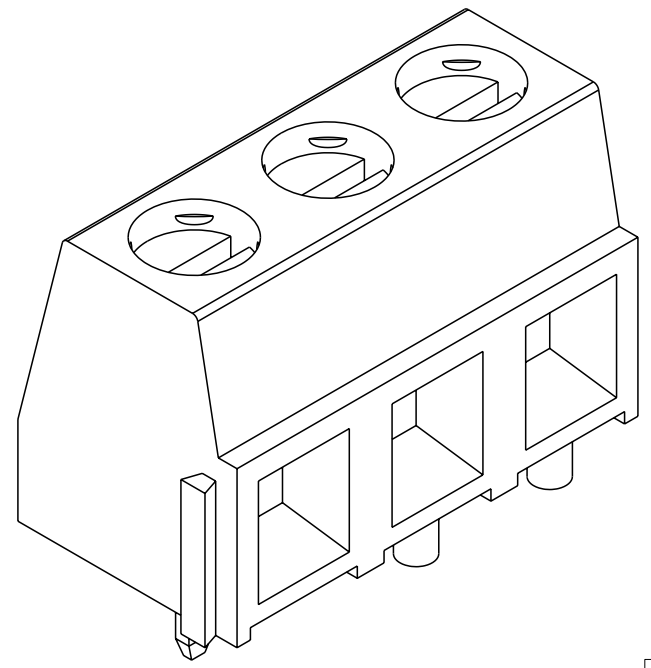
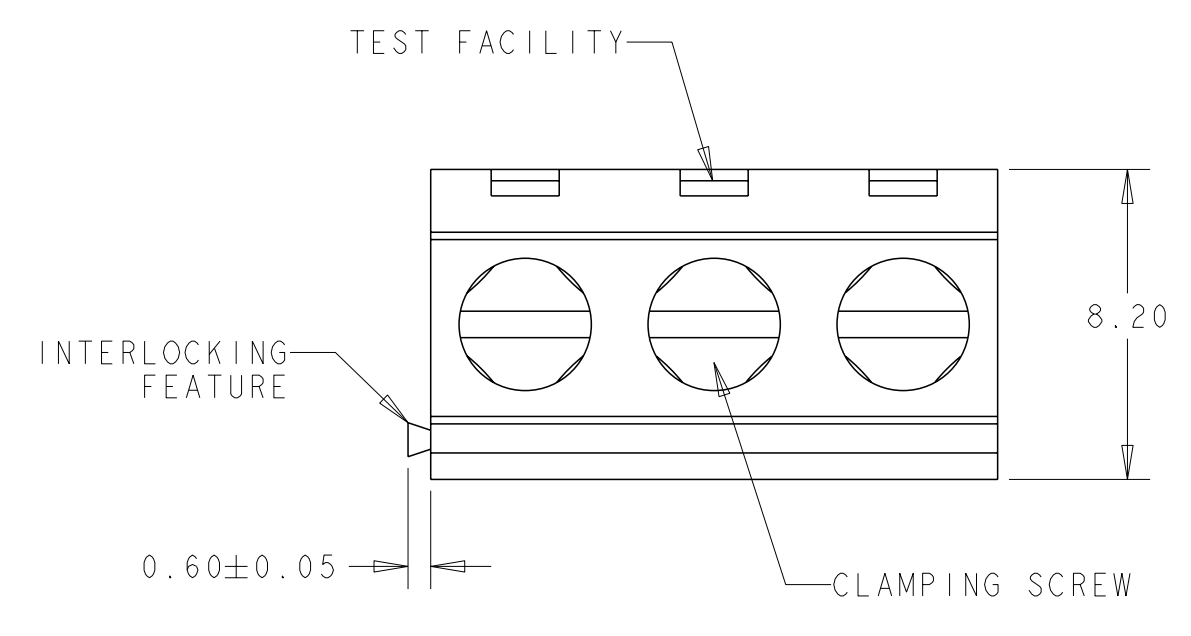


THIS DRAWING IS UNPUBLISHED. RELEASED FOR PUBLICATION 20
 © COPYRIGHT 20 BY - ALL RIGHTS RESERVED.

REVISIONS					
P	LTR	DESCRIPTION	DATE	DWN	APVD
J		PKG IS CHANGED FROM BOX TO TRAY	18JAN2018	RK	PS



RECOMMENDED PC BOARD LAYOUT

-	-	-	SEE SHEET 2	10.0	2	3-1986874-2
-	-	-	SEE SHEET 2	55.0	11	1-1986874-1
-	-	-	SEE SHEET 2	10.0	2	1986874-2
1	N/A	3.5	-	35.0	7	3-282836-7
1	N/A	3.5	SEE SHEET 2	15.0	3	3-282836-5
1	N/A	3.5	-	30.0	6	3-282836-4
1	N/A	3.5	-	25.0	5	3-282836-3
1	N/A	3.5	-	20.0	4	3-282836-2
1	N/A	3.5	-	10.0	2	3-282836-1
1	N/A	3.5	-	40.0	8	3-282836-0
1	N/A	3.5	SEE SHEET 2	45.0	9	2-282836-8
OBSOLETE	0	N/A	SEE SHEET 2	30.0	6	2-282836-7
0	N/A	N/A	-	125.0	25	2-282836-6
OBSOLETE	0	N/A	-	120.0	24	2-282836-5
OBSOLETE	0	N/A	-	115.0	23	2-282836-4
OBSOLETE	0	N/A	-	110.0	22	2-282836-3
OBSOLETE	0	N/A	-	105.0	21	2-282836-2
OBSOLETE	0	N/A	-	100.0	20	2-282836-1
OBSOLETE	0	N/A	-	95.0	19	2-282836-0
OBSOLETE	0	N/A	-	90.0	18	1-282836-9
OBSOLETE	0	N/A	-	85.0	17	1-282836-8
OBSOLETE	0	N/A	-	80.0	16	1-282836-7
OBSOLETE	0	N/A	-	75.0	15	1-282836-6
OBSOLETE	0	N/A	-	70.0	14	1-282836-5
OBSOLETE	0	N/A	-	65.0	13	1-282836-4
0	N/A	N/A	SEE SHEET 2	10.0	2	1-282836-3
0	N/A	N/A	-	60.0	12	1-282836-2
0	N/A	N/A	-	55.0	11	1-282836-1
0	N/A	N/A	-	50.0	10	1-282836-0
0	N/A	N/A	-	45.0	9	282836-9
0	N/A	N/A	-	40.0	8	282836-8
0	N/A	N/A	-	35.0	7	282836-7
0	N/A	N/A	-	30.0	6	282836-6
0	N/A	N/A	-	25.0	5	282836-5
0	N/A	N/A	-	20.0	4	282836-4
0	N/A	N/A	-	15.0	3	282836-3
0	N/A	N/A	-	10.0	2	282836-2
2	5.0	1.1	-	10.0	2	282836-1
QTY	S	H	MARKING	L	NO OF POSN	PART NUMBER
	PEG		8			

THIS DRAWING IS A CONTROLLED DOCUMENT.

DWN S. WELDON 28SEP2007
 CHK C. RICHARD 28SEP2007
 APVD C. RICHARD 28SEP2007

TE Connectivity

NAME: TERMINAL BLOCK, PCB MOUNT, SIDE WIRE ENTRY, STACKING WITH INTERLOCK, 5.00mm PITCH

SIZE: A2 CAGE CODE: 00779 DRAWING NO: C-282836

SCALE: 3:1 SHEET: 1 OF 3 REV: J

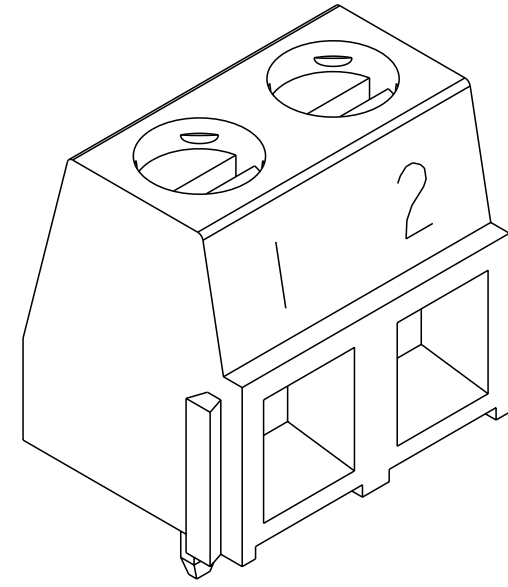
PRODUCT SPEC: - APPLICATION SPEC: - WEIGHT: - MATERIAL: 1 FINISH: 1

TOLERANCES UNLESS OTHERWISE SPECIFIED:
 0 PLC ±-
 1 PLC ±0.2
 2 PLC ±0.15
 3 PLC ±0.000
 4 PLC ±0.0000 ±2°

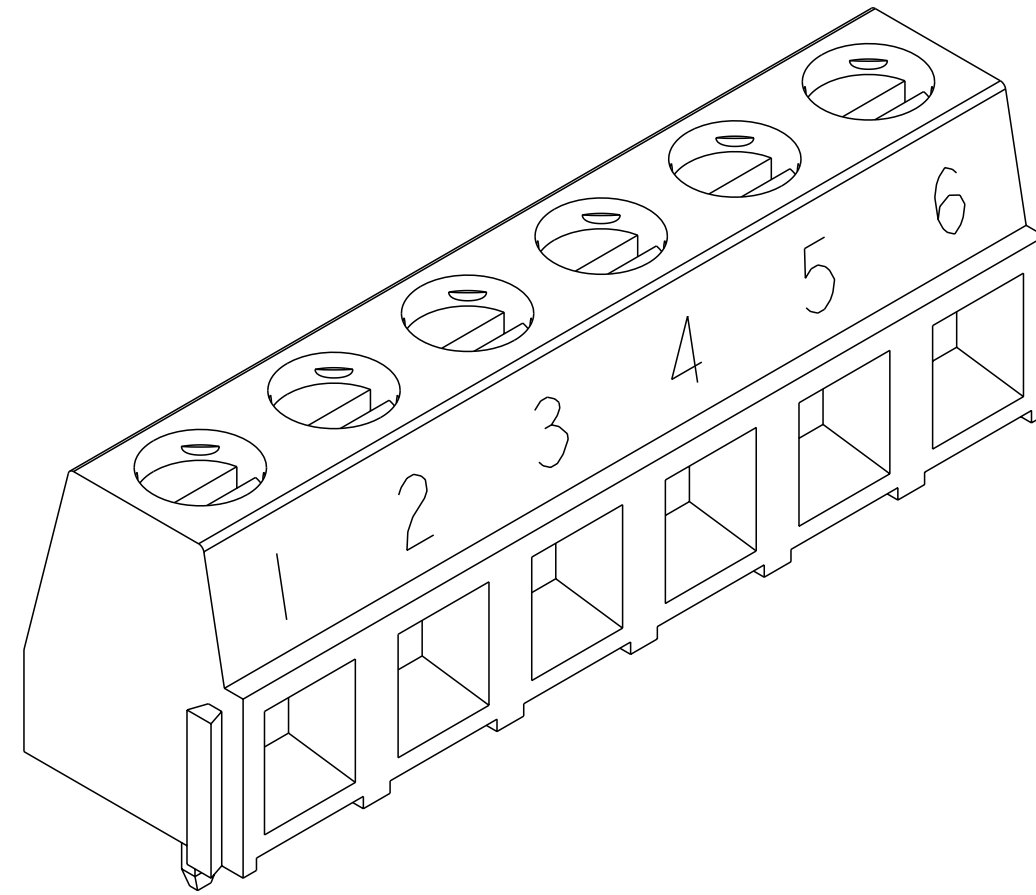
REVISIONS				
P	LTR	DESCRIPTION	DATE	APVD
-	-	SEE SHEET 1	-	-

NOTES:

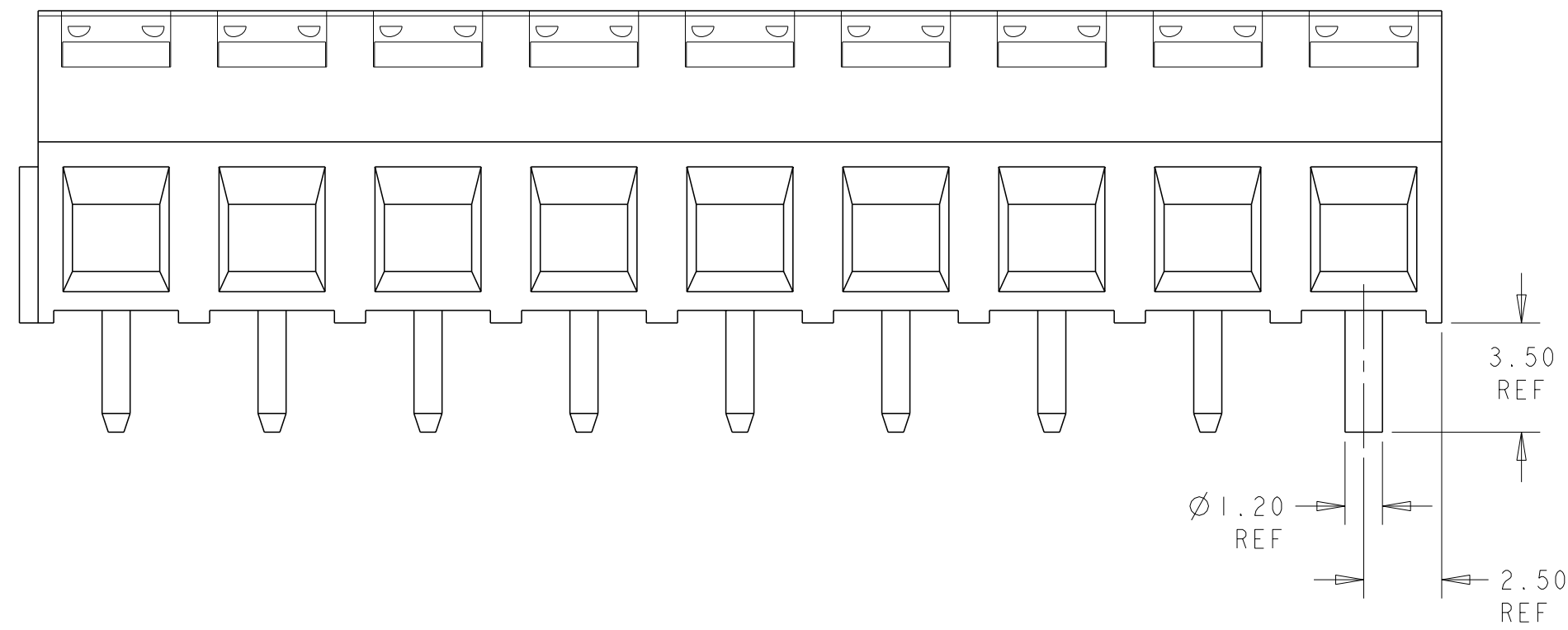
- 1 MATERIAL AND FINISH:
 HOUSING: PA 6-6, UL 94V-0 RATED, COLOR: GREEN.
 CLAMP: BRASS, NICKEL PLATED.
 TERMINAL: BRASS, TIN PLATED.
 CLAMPING SCREW: M3, BRASS, NICKEL PLATED.
- 2 MECHANICAL PROPERTIES
 WIRE STRIPPING LENGTH : 5-6 mm
 MIN. PCB BOARD HOLES DIAMETER : 1.1mm
 MAX. PCB BOARD THICKNESS : 2.4mm
 RECOMMENDED TORQUE FOR SCREW : 0.5 Nm.
- 3 ELECTRICAL PROPERTIES
 WIRE RANGE : 16-30 AWG
 MAX. VOLTAGE : 300 V
 MAX. CURRENT : 13.5 A
 CONTACT RESISTANCE : <15 m Ohm
 INSULATION RESISTANCE : >1000 M Ohm (500V DC)
- 4 END-TO-END STACKABLE W/INTERLOCK WITHOUT LOSS OF CENTERLINE SPACING.
- 5 PACKED IN TRAY.
- 6 RECOGNIZED UNDER THE COMPONENT PROGRAM OF UNDERWRITERS LABORATORIES INC. FILE NO E60677.
- 7 NOT CUMULATIVE TOLERANCE.
- 8 INK MARKING, WHITE COLOR, UNLESS OTHERWISE SPECIFIED. NUMERICAL SEQUENCE FROM LEFT TO RIGHT, UNLESS OTHERWISE SPECIFIED.
- 9 OPERATING TEMPERATURE RANGE: -40°C TO +110°C
- 10 INK MARKING, BLACK COLOR



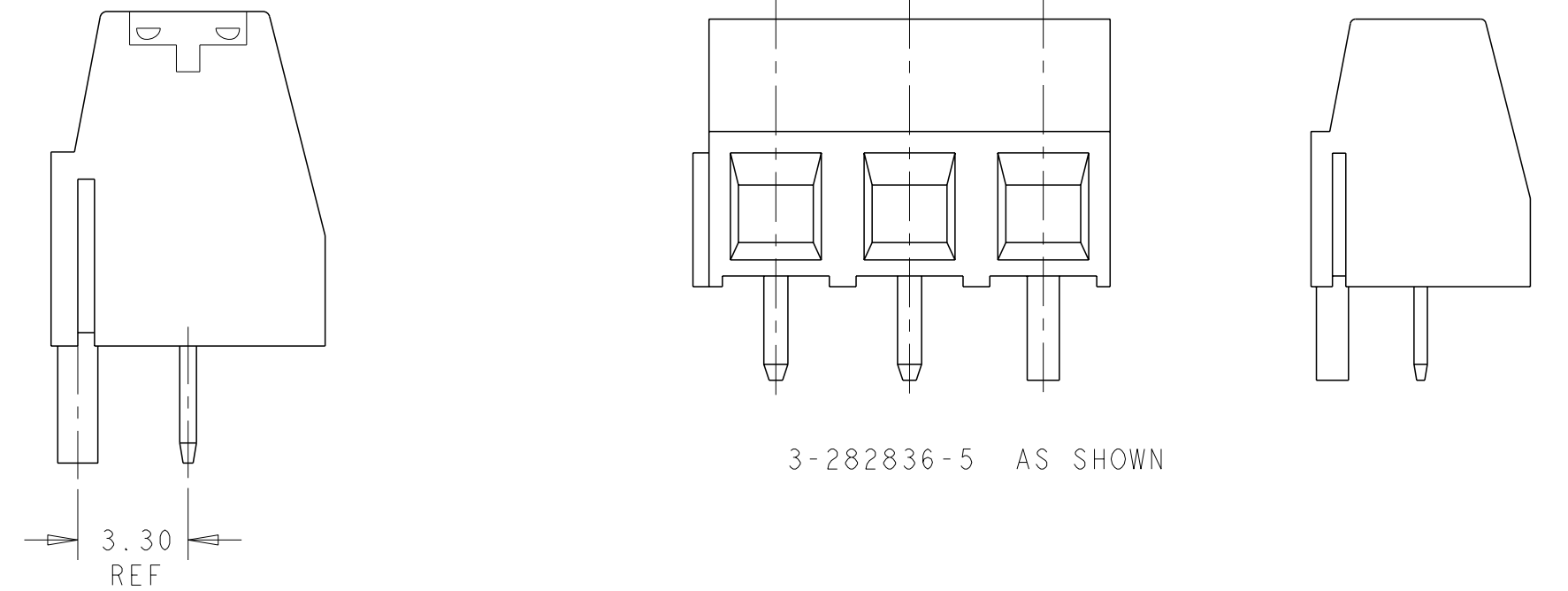
1-282836-3 AS SHOWN



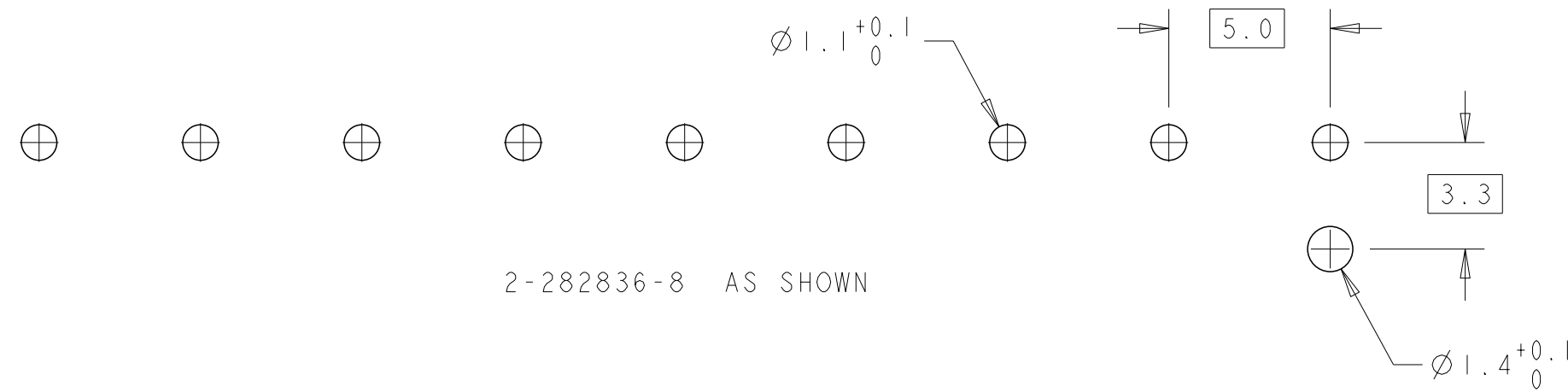
OBSOLETE 2-282836-7 AS SHOWN



2-282836-8 AS SHOWN



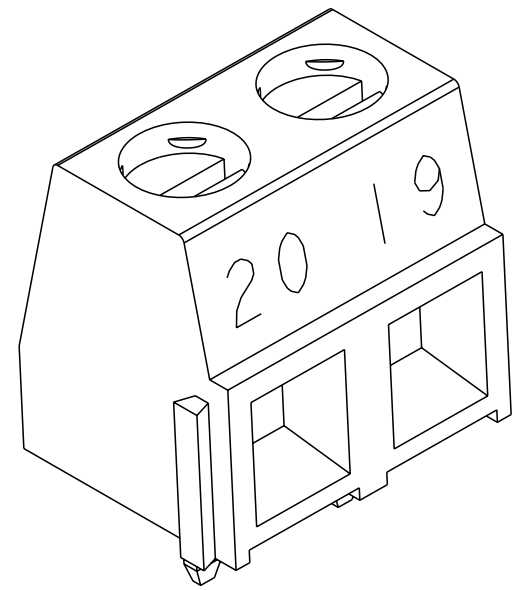
3-282836-5 AS SHOWN



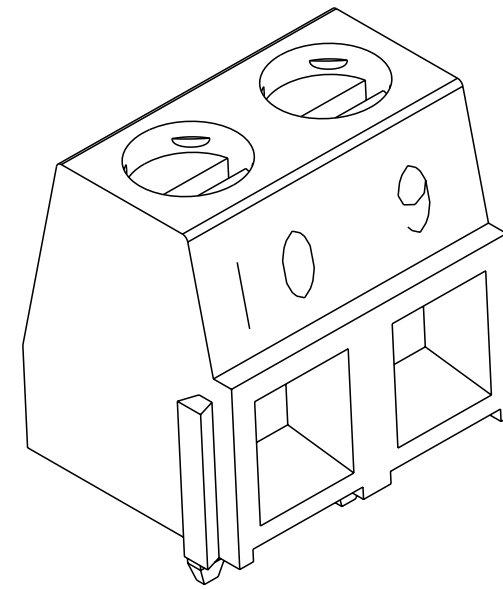
THIS DRAWING IS A CONTROLLED DOCUMENT.		DWN S. WELDON 28SEP2007	TE Connectivity	
DIMENSIONS: mm		CHK C. RICHARD 28SEP2007		
TOLERANCES UNLESS OTHERWISE SPECIFIED:		APVD C. RICHARD 28SEP2007	NAME	
0 PLC ±-		PRODUCT SPEC	TERMINAL BLOCK, PCB MOUNT, SIDE WIRE ENTRY, STACKING WITH INTERLOCK, 5.00mm PITCH	
1 PLC ±0.2		APPLICATION SPEC	SIZE	RESTRICTED TO
2 PLC ±0.15			A200779	C-282836
3 PLC ±0.000		WEIGHT	SCALE 5:1	SHEET 2 OF 3
4 PLC ±0.000		CUSTOMER DRAWING	REV J	
ANGLES ±2°				
FINISH				

THIS DRAWING IS UNPUBLISHED. RELEASED FOR PUBLICATION 20
 © COPYRIGHT 20 BY - ALL RIGHTS RESERVED.

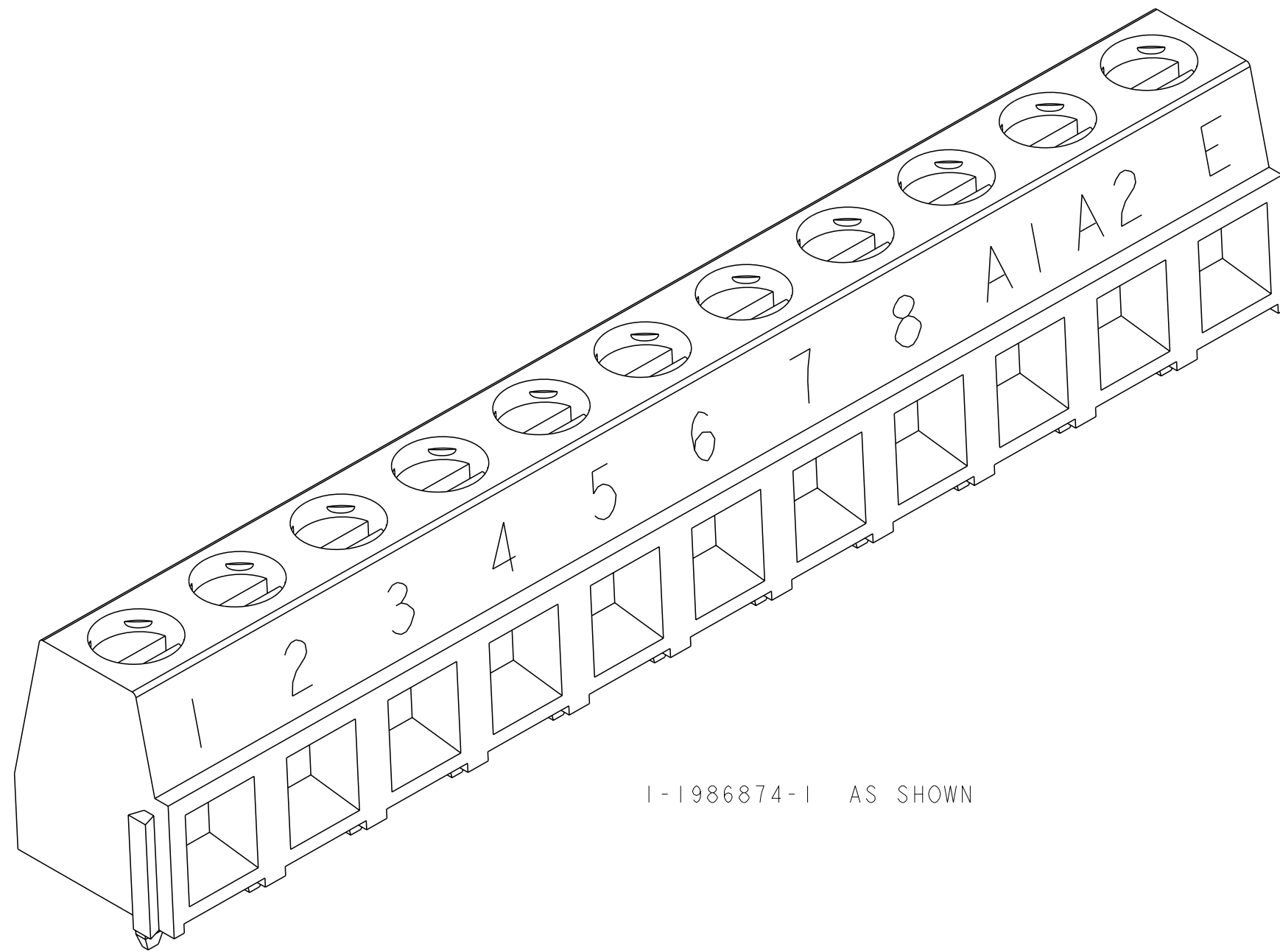
REVISIONS				
P	LTR	DESCRIPTION	DATE	APVD
-	-	SEE SHEET 1	-	-




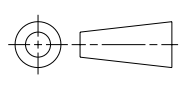
3-1986874-2 AS SHOWN



1986874-2 AS SHOWN



1-1986874-1 AS SHOWN

THIS DRAWING IS A CONTROLLED DOCUMENT.		DWN S. WELDON 28SEP2007	 TE Connectivity
DIMENSIONS: mm 		CHK C. RICHARD 28SEP2007	
TOLERANCES UNLESS OTHERWISE SPECIFIED: 0 PLC ± 1 PLC ±0.2 2 PLC ±0.15 3 PLC ±0.000 4 PLC ±0.0000 ANGLES ±2° FINISH		APVD C. RICHARD 28SEP2007	NAME TERMINAL BLOCK, PCB MOUNT, SIDE WIRE ENTRY, STACKING WITH INTERLOCK, 5.00mm PITCH
MATERIAL		PRODUCT SPEC	SIZE CAGE CODE DRAWING NO RESTRICTED TO A200779 C-282836
		APPLICATION SPEC	SCALE 4:1 SHEET 3 OF 3 REV J
		WEIGHT	CUSTOMER DRAWING

X-ON Electronics

Largest Supplier of Electrical and Electronic Components

Click to view similar products for [Fixed Terminal Blocks](#) category:

Click to view products by [TE Connectivity](#) manufacturer:

Other Similar products are found below :

[MBE-1512](#) [MBE-154](#) [MBE-156](#) [MBES-153](#) [MBES-156](#) [MH-2512](#) [MHE-132](#) [MHE-163](#) [MI-254 \(35\)](#) [MI-272](#) [880507](#) [MPT-275](#)
[15602-04-08-21](#) [ELM023100](#) [BA311TU](#) [BA411SU](#) [MV-152](#) [MV-252-D](#) [MV-253/NCNOC](#) [MV-254-D](#) [MV-255](#) [MV-462](#) [MV-493](#) [MVE-](#)
[252](#) [MVE-253](#) [MVE-273](#) [MVEB-153](#) [1700096](#) [1705142](#) [1712417](#) [1713020](#) [1713088](#) [1745195](#) [1760594](#) [1776118-2](#) [1790852](#) [1-796689-8](#)
[1-796692-6](#) [1800001](#) [1800114](#) [1995279](#) [20020314-C121B01LF](#) [20020316-G041B01LF](#) [CB2-12](#) [KP03215000J0G](#) [KP04215000J0G](#) [S451](#)
[282802-2](#) [29.007](#) [29.116](#)