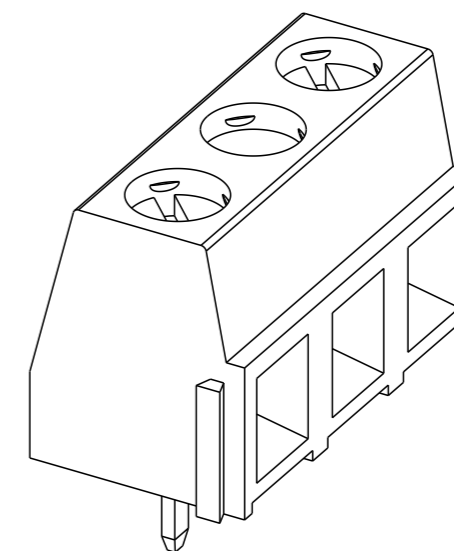
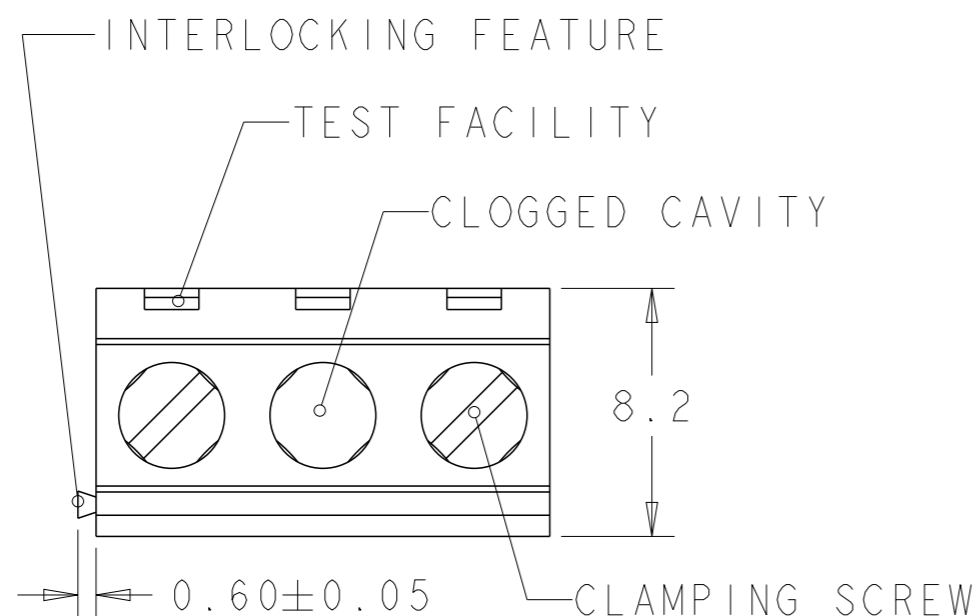
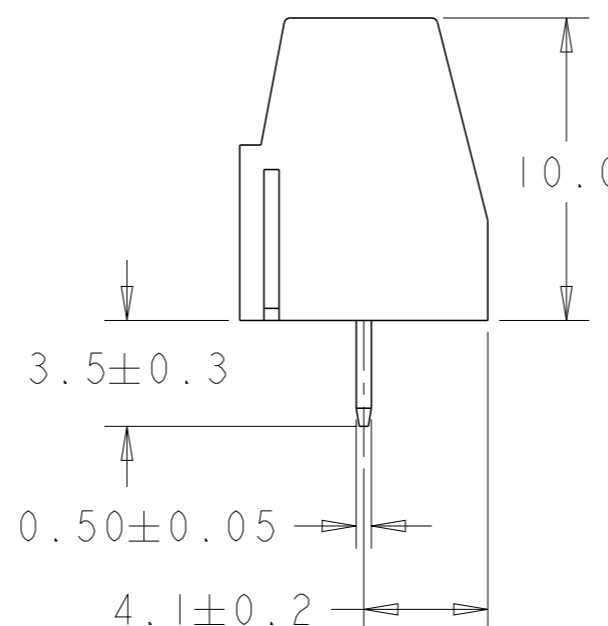
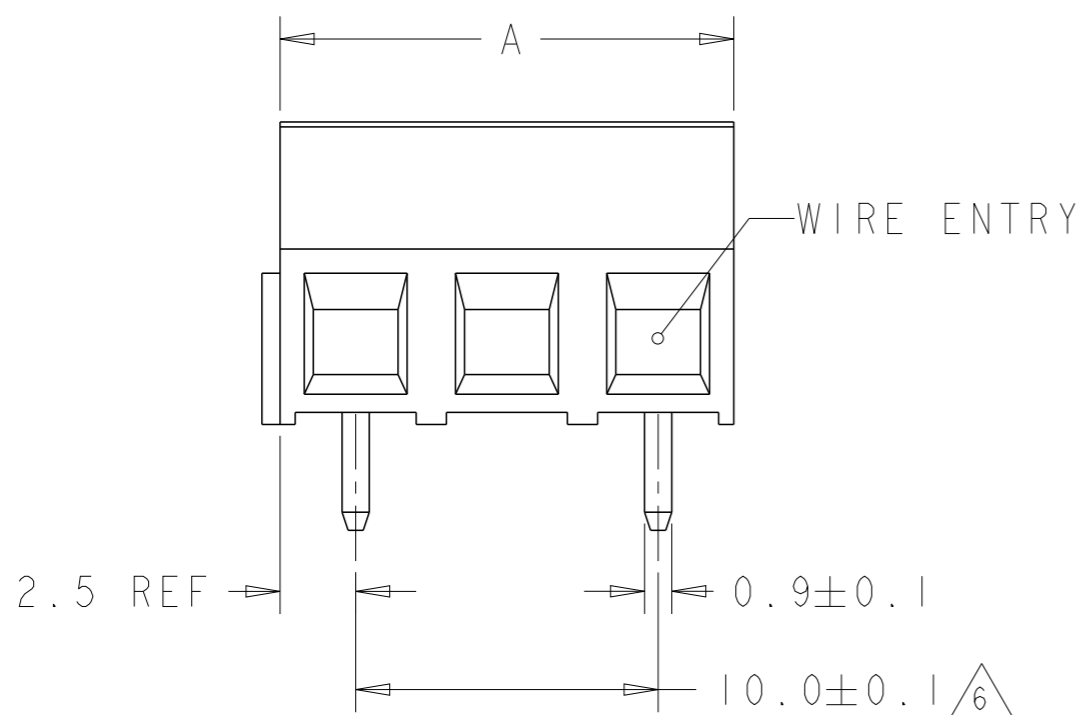


REVISIONS

P	LTR	DESCRIPTION	DATE	DWN	APVD
	E	PKG IS CHANGED FROM BOX TO TRAY	22FEB2018	RK	PS

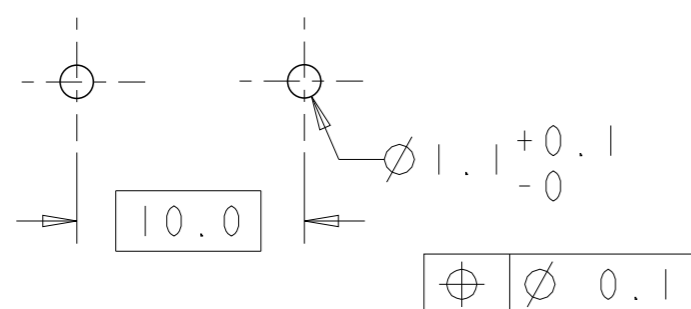


282838-2 AS SHOWN



MARKING	DIM. A	NO OF POS.	PART NUMBER	
OBSOLETE	125	13	1-282838-4	
	115	12	1-282838-3	
	105	11	1-282838-2	
	95	10	1-282838-1	
	85	9	1-282838-0	
	75	8	282838-9	
	65	7	282838-8	
	SEE PAGE 2	25	3	282838-7
		55	6	282838-6
		45	5	282838-5
	35	4	282838-4	
	25	3	282838-3	
	15	2	282838-2	

RECOMMENDED PC BOARD LAYOUT



THIS DRAWING IS A CONTROLLED DOCUMENT.		DWN E. ZANOLINI 24AUG2001	TE Connectivity	
DIMENSIONS: mm		CHK D. BIEVENOUR 24AUG2001		
TOLERANCES UNLESS OTHERWISE SPECIFIED:		APVD D. BIEVENOUR 24AUG2001	NAME TERMINAL BLOCK PCB MOUNT SIDE ENTRY WIRE 10mm PITCH	
0 PLC ± 1 PLC ±.3 2 PLC ±.25 3 PLC ± 4 PLC ± ANGLES ±2		PRODUCT SPEC 108-20166	SIZE A3	
MATERIAL		APPLICATION SPEC 114-20079	CAGE CODE 00779	DRAWING NO C-282838
FINISH		WEIGHT -	RESTRICTED TO -	
CUSTOMER DRAWING			SCALE 4:1	SHEET 1 OF 2
			REV E	

4

3

2

1

THIS DRAWING IS UNPUBLISHED.

RELEASED FOR PUBLICATION

20

© COPYRIGHT 20

BY -

ALL RIGHTS RESERVED.

REVISIONS

P	LTR	DESCRIPTION	DATE	DWN	APVD
	-	SEE SHEET 1	-	-	-

NOTES:

1. MATERIALS AND FINISH  
 HOUSING : PA 6-6, UL 94-V0, COLOR GREEN.  
 CLAMP : BRASS, NICKEL PLATED.  
 TERMINAL : BRASS, TIN PLATED.  
 CLAMPING SCREW : M3, BRASS, NICKEL PLATED.

2. MECHANICAL  
 WIRE STRIPPING LENGTH : 5.0 - 6.0 mm  
 MIN. PC BOARD HOLES DIAMETER : 1.1 mm  
 MAX. PC BOARD THICKNESS : 2.4 mm  
 RECOMMENDED TIGHTENING TORQUE FOR SCREW : 0.5 Nm.

3. ELECTRICAL  
 WIRE RANGE : 16-30 AWG.  
 MAX. VOLTAGE : 600 V  
 MAX CURRENT : 13.5 A  
 CONTACT RESISTANCE : <15 m Ohm  
 INSULATION RESISTANCE : >1000 M Ohm (500V DC)

4. OPERATING TEMPERATURE RANGE : -40°C TO +110°C


5. RECOGNIZED UNDER THE COMPONENT PROGRAM OF  
 UNDERWRITERS LABORATORIES INC. FILE NO E60677.

6. NOT CUMULATIVE TOLERANCE.

7. INK MARKING COLOR WHITE, UNLESS OTHERWISE SPECIFIED.  
 NUMERICAL SEQUENCE : FROM LEFT TO RIGHT, UNLESS  
 OTHERWISE SPECIFIED.

8. PACKED IN TRAY.

282838-7 AS SHOWN

THIS DRAWING IS A CONTROLLED DOCUMENT.		DWN E. ZANOLINI 24AUG2001	 TE Connectivity	
DIMENSIONS: mm		CHK D. BIEVENOUR 24AUG2001		
TOLERANCES UNLESS OTHERWISE SPECIFIED:		APVD D. BIEVENOUR 24AUG2001	NAME TERMINAL BLOCK PCB MOUNT SIDE ENTRY WIRE 10mm PITCH	
0 PLC ±-		PRODUCT SPEC 108-20166	RESTRICTED TO	
1 PLC ±.3		APPLICATION SPEC 114-20079	SIZE A3	CAGE CODE 00779
2 PLC ±.25		WEIGHT -	DRAWING NO C-282838	REV E
3 PLC ±-		CUSTOMER DRAWING	SCALE 4:1	SHEET 2 OF 2
4 PLC ±-				
ANGLES ±2				
MATERIAL				
FINISH				

1470-19 (3/13)

## X-ON Electronics

Largest Supplier of Electrical and Electronic Components

*Click to view similar products for [Fixed Terminal Blocks](#) category:*

*Click to view products by [TE Connectivity](#) manufacturer:*

Other Similar products are found below :

[MBE-1512](#) [MBE-154](#) [MBE-156](#) [MBES-153](#) [MBES-156](#) [MH-2512](#) [MHE-132](#) [MHE-163](#) [MI-254 \(35\)](#) [MI-272](#) [880507](#) [MPT-275](#)  
[15602-04-08-21](#) [ELM023100](#) [BA311TU](#) [BA411SU](#) [MV-152](#) [MV-252-D](#) [MV-253/NCNOC](#) [MV-254-D](#) [MV-255](#) [MV-462](#) [MV-493](#) [MVE-](#)  
[252](#) [MVE-253](#) [MVE-273](#) [MVEB-153](#) [1700096](#) [1705142](#) [1712417](#) [1713020](#) [1713088](#) [1745195](#) [1760594](#) [1776118-2](#) [1790852](#) [1-796689-8](#)  
[1-796692-6](#) [1800001](#) [1800114](#) [1995279](#) [20020314-C121B01LF](#) [20020316-G041B01LF](#) [CB2-12](#) [KP03215000J0G](#) [KP04215000J0G](#) [S451](#)  
[282802-2](#) [29.007](#) [29.116](#)