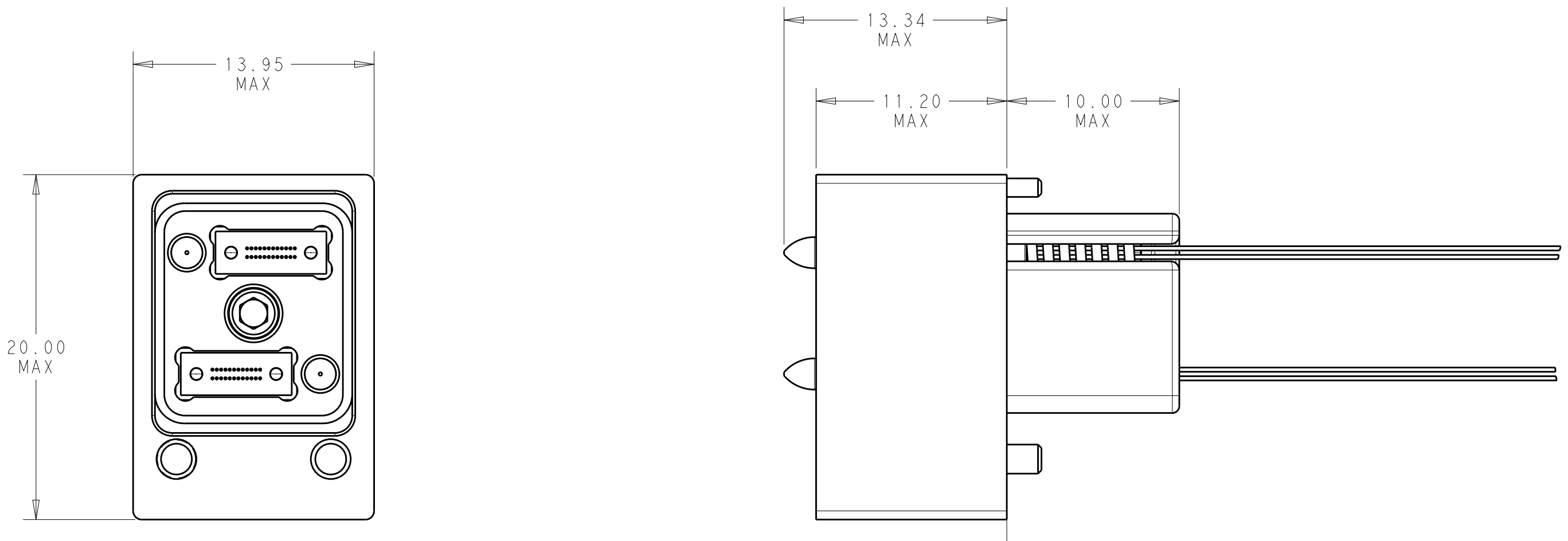
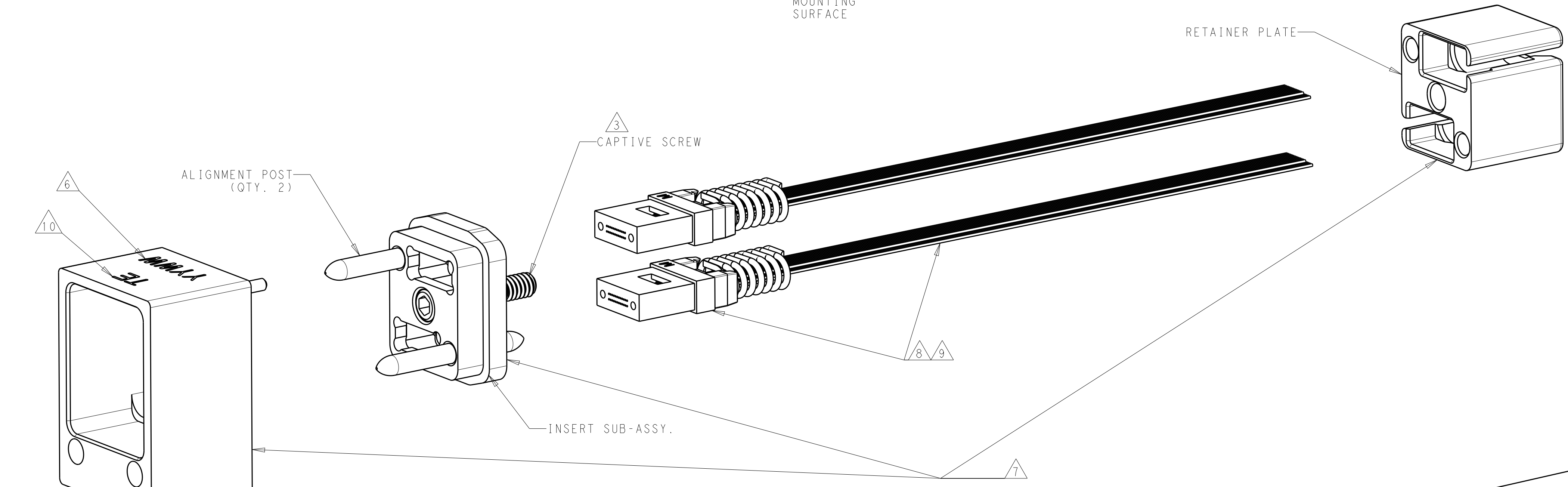
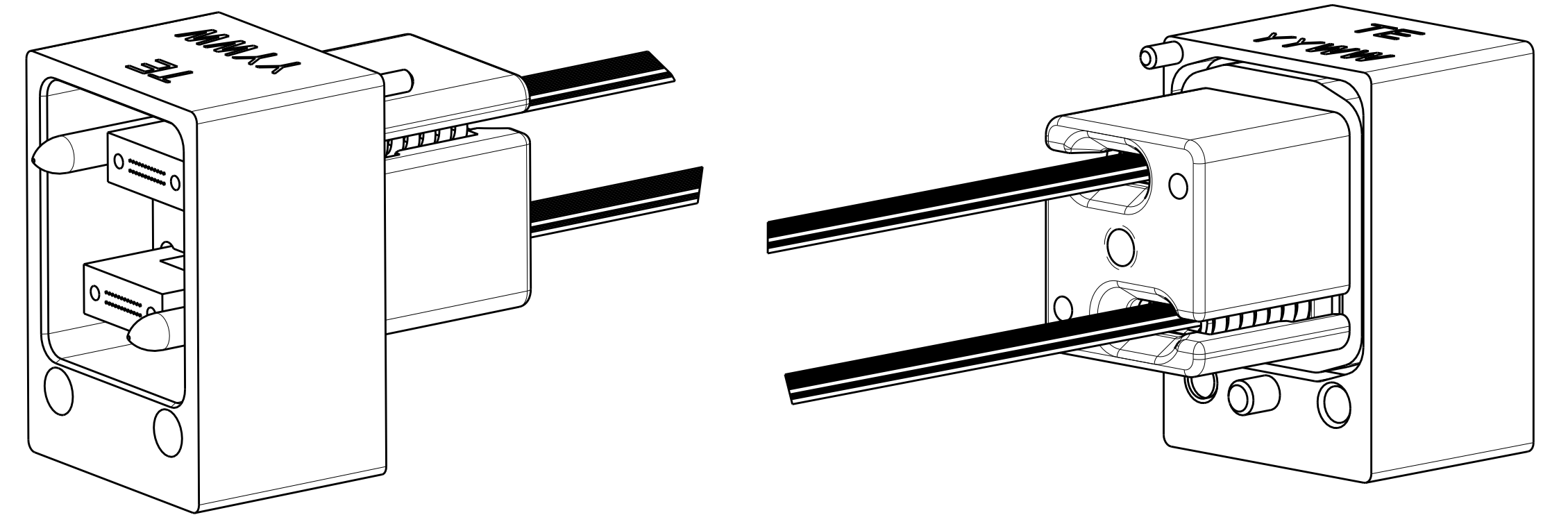


REVISIONS				
P.	LTN.	DESCRIPTION	DATE	OWN. APVD.
A		RELEASED PER ECO-17-014355	01NOV2017	DF JM

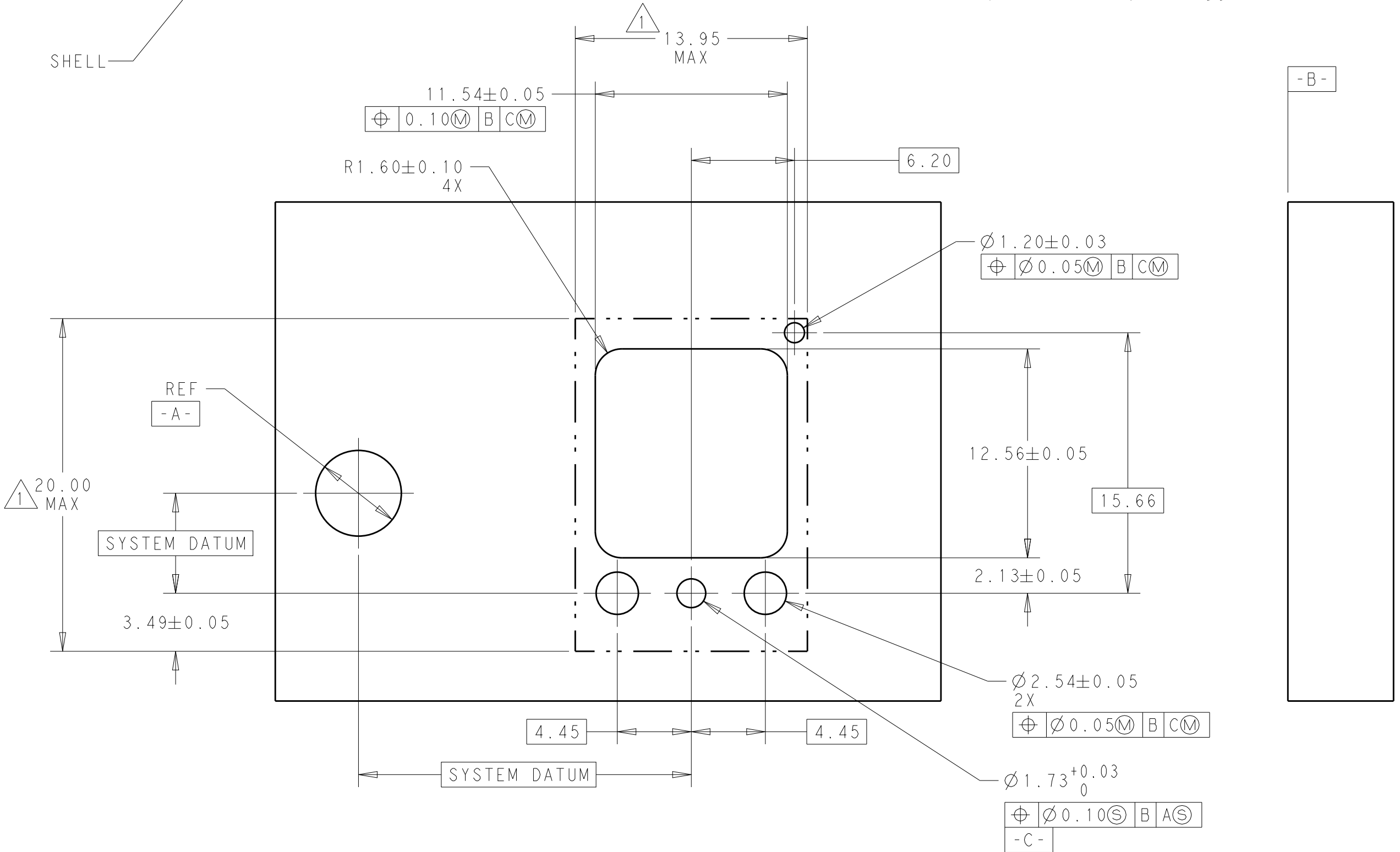


**ASSEMBLED VIEW**

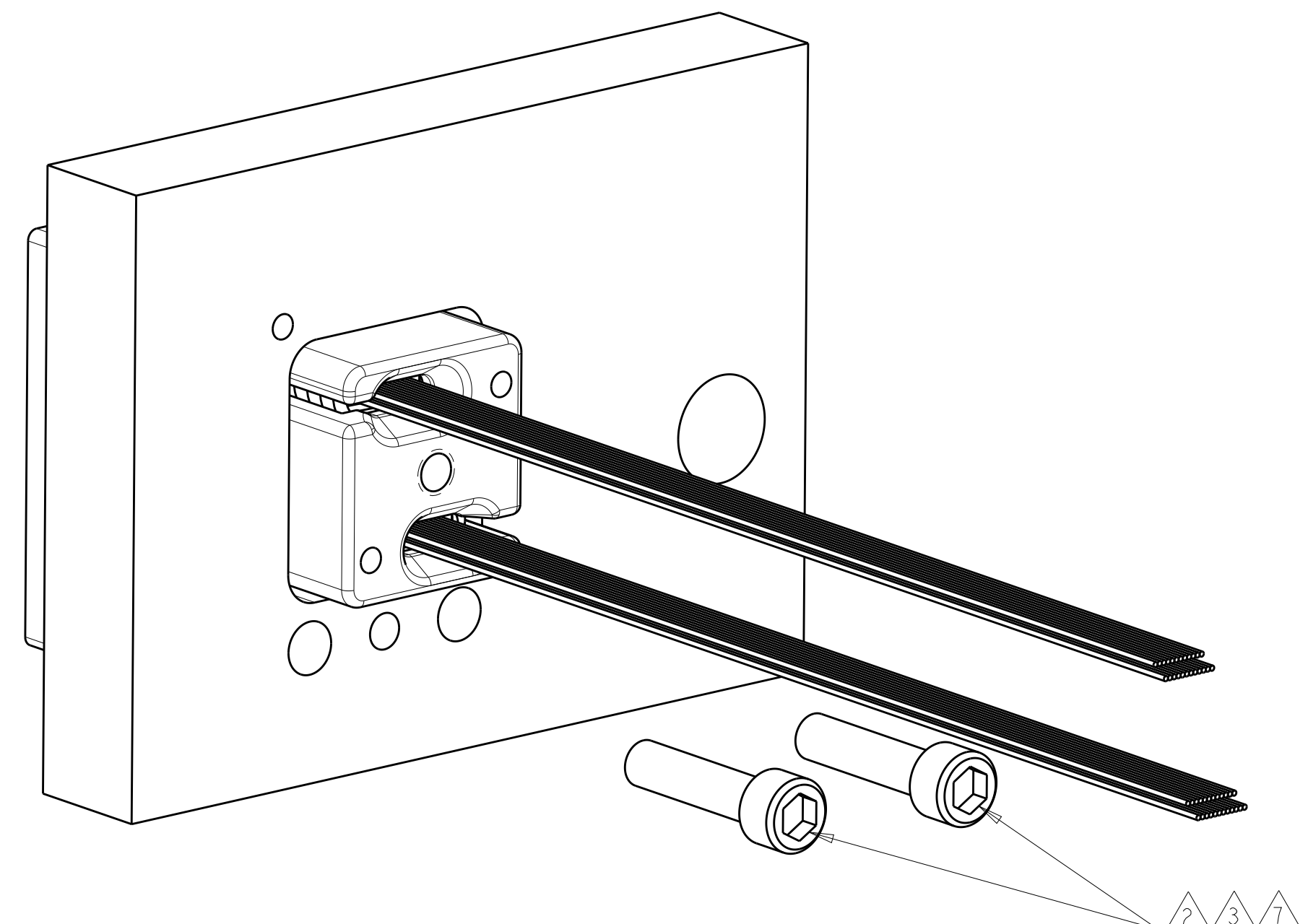


**EXPLODED VIEW**

- 1 AREA REQUIRED FOR CONNECTOR PLACEMENT.
- 2 #2-56 X 3/8 IN. SCREWS WITH A PRE-APPLIED NYLOK PATCH ARE INCLUDED FOR PC-BOARD MOUNTING. IF A PC-BOARD THICKER THAN 5.8mm IS USED, LONGER SCREWS ARE REQUIRED.
- 3 RECOMMENDED TORQUE: 0.23-0.34 N-m [2-3 in-lb].
- 4 MATERIAL: SHELL, INSERT HOUSING AND RETAINER PLATE: ALUMINUM ALLOY 6061 PER ASTM B209, OR ASTM B221. ALIGNMENT POST, CAPTIVE SCREW AND SHC SCREW: STAINLESS STEEL.
- 5 FINISH: SHELL, INSERT HOUSING AND RETAINER PLATE: CLEAR CHROMATE CONVERSION COATING. ALIGNMENT POST, CAPTIVE SCREW AND SHC SCREW: PASSIVATED.
- 6 DATE CODE: YEAR AND WEEK (YYWW).
- 7 RECEPTACLE (BACKPLANE) CONNECTOR KIT, (UNASSEMBLED) CONSISTS OF THE FOLLOWING ITEMS: SHELL (QTY 1) INSERT SUB-ASSEMBLY (QTY 1), RETAINER PLATE (QTY 1) AND #2-56 X 3/8 IN. SCREWS (QTY 2)
- 8 CUSTOM FIBER-OPTIC CABLE ASSEMBLIES, (CAN BE ORDERED SEPARATELY)
- 9 MT FERRULE KIT, (UNASSEMBLED) CONTAINS: MT FERRULE, MINI-BOOT, FERRULE COVER, SPACER AND SPRING (CAN BE ORDERED SEPARATELY, SEE TABLE)
- 10 TE CONNECTIVITY PRODUCT IDENTIFIER.



**RECOMMENDED BACKPLANE FOOTPRINT**



**BACKPLANE MOUNTING DETAIL**

2828413-2	2828413-1	2828383-1
24 FIBER	12 FIBER	PART NUMBER
9 MT FERRULE KITS		

THIS DRAWING IS A CONTROLLED DOCUMENT.

DIMENSIONS:	TOLERANCES UNLESS OTHERWISE SPECIFIED:	OWN. ID. FABIAN 21MAR2015	DATE 13NOV2017
mm	0 PLC ±	CHK J. MOSIER	APVD J. MOSIER 13NOV2017
	1 PLC ±0.13	NAME CONNECTOR KIT (VITA 66.4 DERIVATIVE)	
	2 PLC ±	RECEPTACLE (BACKPLANE) RUGGEDIZED	
	3 PLC ±	FIBER OPTIC, MT, DUAL CAVITY	
	4 PLC ±	APPLICATION SPEC	
	ANGLES ± #1	SIZE A1	CAGE CODE DRAWING NO. C=2828383
MATERIAL	FINISH	WEIGHT 7.7 GRAMS	RESTRICTED TO
		CUSTOMER DRAWING	SCALE 4:1 SHEET 1 OF 1 REV A

## X-ON Electronics

Largest Supplier of Electrical and Electronic Components

*Click to view similar products for [Fibre Optic Connectors](#) category:*

*Click to view products by [TE Connectivity](#) manufacturer:*

Other Similar products are found below :

[0004700001](#) [6100-R](#) [6313](#) [F709034706](#) [F709722200](#) [F709730000](#) [F718183204](#) [F727403500](#) [F727752800](#) [8119](#) [9440F20-27S-190](#) [944-120-6001](#) [9441F10SL-3S](#) [9444W28-21S](#) [9444W36-10S](#) [9446F10SL-4S](#) [9446W20-16S](#) [953-101-5310-P](#) [954-101-57202B](#) [A0270169](#) [12-9122](#) [12-5702](#) [AX101713](#) [AX102420](#) [AX103923](#) [AX104024](#) [AX104193](#) [AX104230](#) [AX104498](#) [AX104562](#) [AX105203-B25](#) [AX105205-S1](#) [EHSC2M](#) [181-011-126](#) [181-011-S](#) [181-057-126](#) [HRFC-R2\(40\)](#) [NKSOPBUY](#) [20500002116](#) [2064996-1](#) [20800001065](#) [2170](#) [9132](#) [2612](#) [2620](#) [9291](#) [9440F16-10S](#) [9440F20-18S](#) [9442W14S-10P](#) [9446F16-10S-190](#)