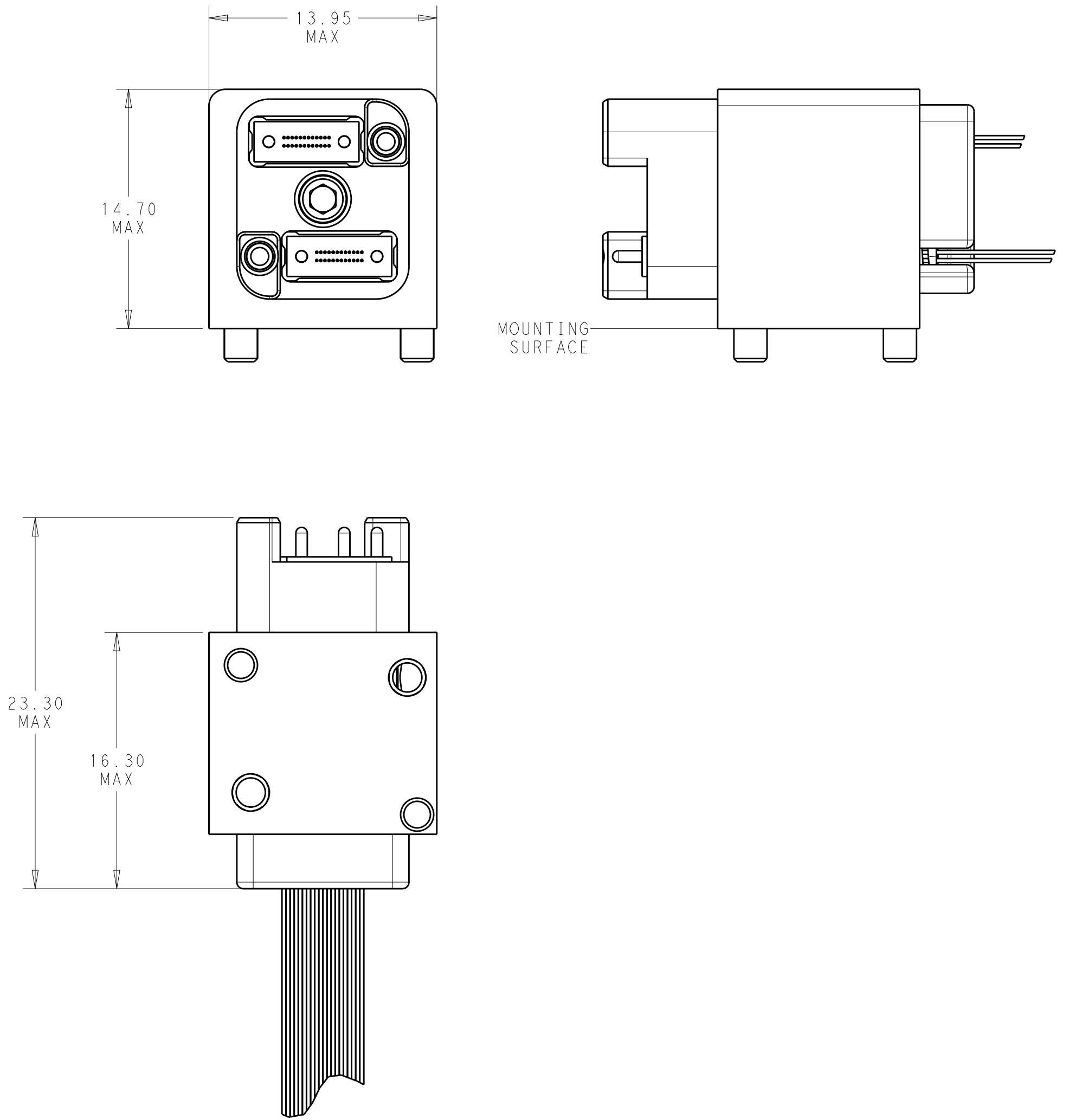
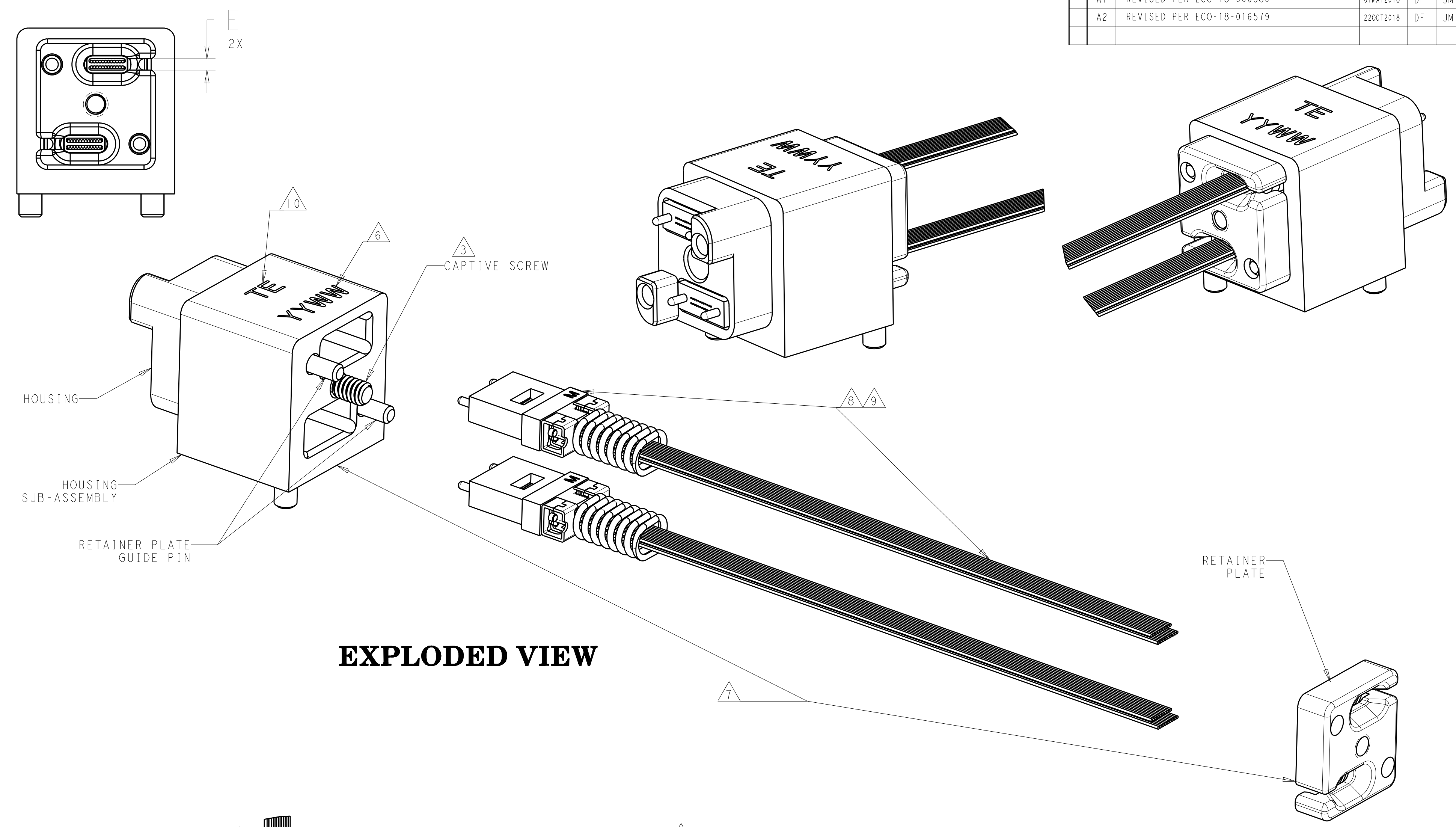


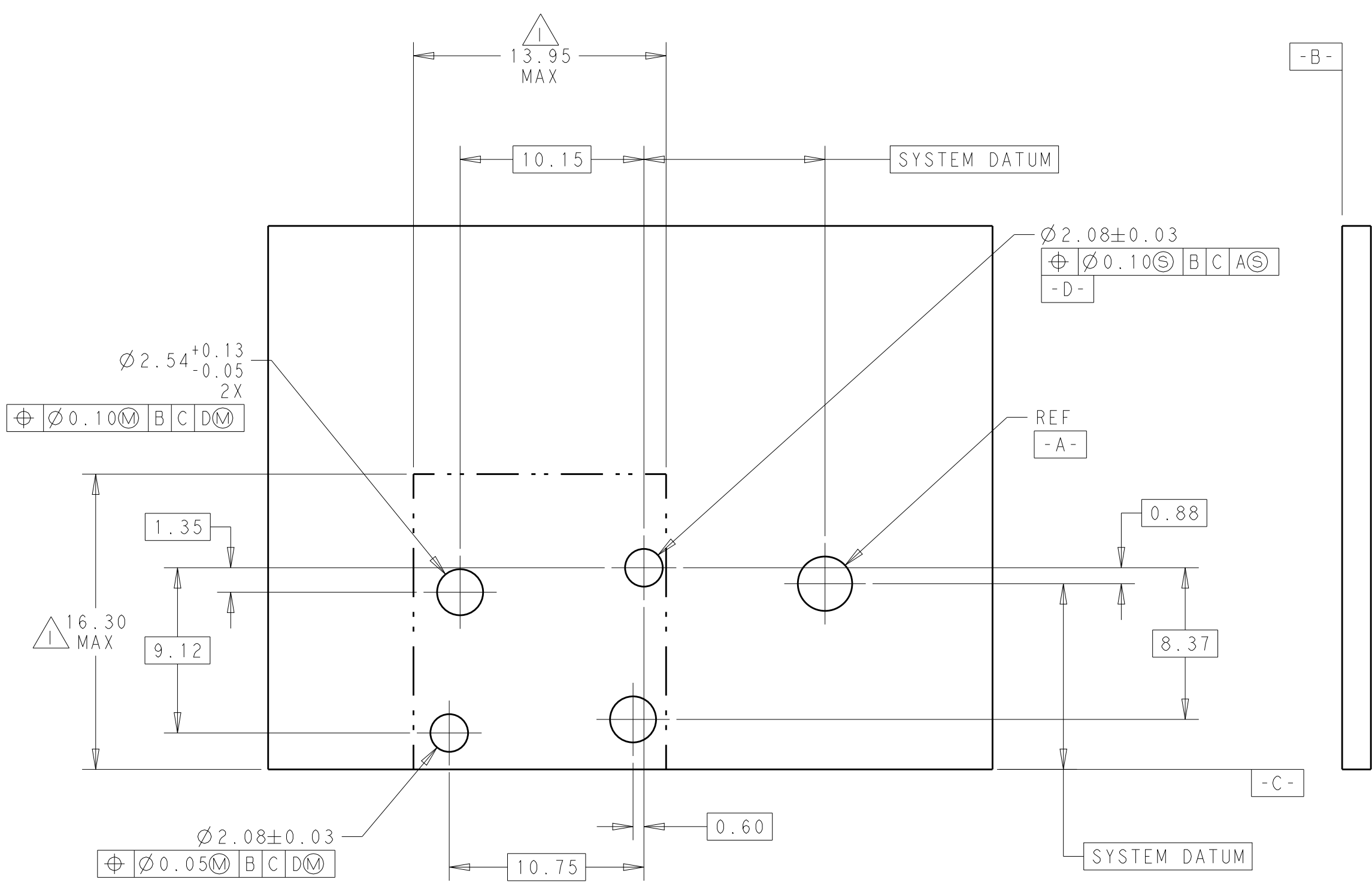
REVISIONS				
P.	LTN	DESCRIPTION	DATE	OWN APVD
A		RELEASED PER ECO-17-014355	01NOV2017	DF JM
A1		REVISED PER ECO-18-006586	01MAY2018	DF JM
A2		REVISED PER ECO-18-016579	22OCT2018	DF JM



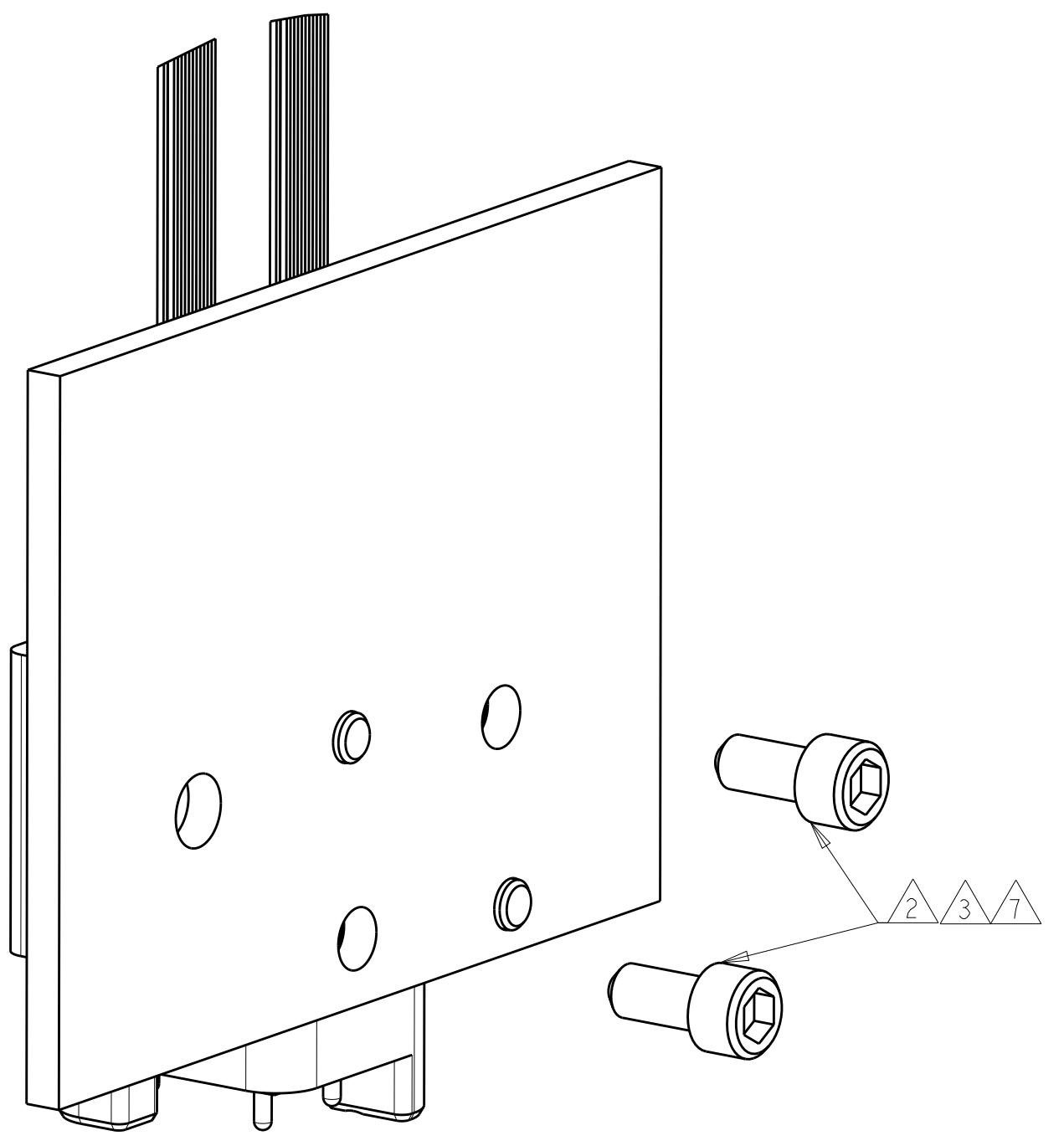
ASSEMBLED VIEW



EXPLODED VIEW



RECOMMENDED PLUG-IN MODULE FOOTPRINT



MODULE MOUNTING DETAIL

- 1 AREA REQUIRED FOR CONNECTOR PLACEMENT.
- 2 2 PAIRS OF SCREWS WITH A PRE-APPLIED NYLOK PATCH ARE INCLUDED FOR PC-BOARD MOUNTING
-IF THE PC-BOARD THICKNESS RANGE IS 1.50mm[.060in]-2.50mm[.098in] USE #2-56x5/32in LONG SCREWS
-IF THE PC-BOARD THICKNESS RANGE IS 2.50mm[.098in]-3.50mm[.138in] USE #2-56x3/16in LONG SCREWS
-IF THE PC-BOARD IS THICKER THAN 3.50mm[.138in] LONGER SCREWS ARE REQUIRED
- 3 RECOMMENDED TORQUE: 0.23-0.34 N-m [2-3 in-lb].
- 4 MATERIAL: HOUSING AND RETAINER PLATE: ALUMINUM ALLOY 6061 PER ASTM B209, OR ASTM B221. GUIDE PIN, CAPTIVE SCREW AND SHC SCREW: STAINLESS STEEL
- 5 FINISH: HOUSING AND RETAINER PLATE: CLEAR CHROMATE CONVERSION COATING. GUIDE PIN, CAPTIVE SCREW AND SHC SCREW: PASSIVATED.
- 6 DATE CODE: YEAR AND WEEK (YYWW).
- 7 PLUG (MODULE) CONNECTOR KIT, (UNASSEMBLED) CONSISTS OF THE FOLLOWING ITEMS: HOUSING SUB-ASSEMBLY (QTY 1) RETAINER PLATE (QTY 1) #2-56 X 3/16 IN. SCREWS (QTY 2) AND #2-56 X 5/32 IN. SCREWS (QTY 2)
- 8 CUSTOM FIBER-OPTIC CABLE ASSEMBLIES, (CAN BE ORDERED SEPARATELY)
- 9 MT FERRULE KIT, (UNASSEMBLED) CONTAINS: MT FERRULE, MINI-BOOT, FERRULE COVER, PIN HOLDER AND SPRING (CAN BE ORDERED SEPARATELY, 2828412-1:12FIBER, 2828412-2: 24 FIBER)
- 10 TE CONNECTIVITY PRODUCT IDENTIFIER.

1.5	2828384-2
1.0	2828384-1
RETAINER PLATE SLOT WIDTH	ASSEMBLY PART NUMBER
E	

THIS DRAWING IS A CONTROLLED DOCUMENT.		OWN: D. FABIAN, ZAMAR2015	TE Connectivity	
DIMENSIONS: mm		CHK: J. MOSIER, 14NOV2017	APVD: J. MOSIER, 14NOV2017	
TOLERANCES UNLESS OTHERWISE SPECIFIED:		NAME: CONNECTOR KIT, (VITA 66.4 DERIVATIVE) PLUG, (MODULE) RUGGEDIZED FIBER OPTIC, MT, DUAL-CAVITY		
0 PLC	±	PRODUCT SPEC	SIZE	RESTRICTED TO
1 PLC	±0.13	108-163007	7.2 GRAMS	
2 PLC	±	APPLICATION SPEC	A1	
3 PLC	±	114-163005	C=2828384	
4 PLC	±	WEIGHT	SCALE	
ANGLES	±	7.2 GRAMS	4:1	
MATERIAL	FINISH	CUSTOMER DRAWING	SHEET	REV
			1 OF 1	A2

X-ON Electronics

Largest Supplier of Electrical and Electronic Components

Click to view similar products for [Fibre Optic Connectors](#) category:

Click to view products by [TE Connectivity](#) manufacturer:

Other Similar products are found below :

[0004700001](#) [6100-R](#) [6313](#) [F709034706](#) [F709722200](#) [F709730000](#) [F718183204](#) [F727403500](#) [F727752800](#) [8119](#) [9440F20-27S-190](#) [944-120-6001](#) [9441F10SL-3S](#) [9444W28-21S](#) [9444W36-10S](#) [9446F10SL-4S](#) [9446W20-16S](#) [953-101-5310-P](#) [954-101-57202B](#) [A0270169](#) [12-9122](#) [12-5702](#) [AX101713](#) [AX102420](#) [AX103923](#) [AX104024](#) [AX104193](#) [AX104230](#) [AX104498](#) [AX104562](#) [AX105203-B25](#) [AX105205-S1](#) [EHSC2M](#) [181-011-126](#) [181-011-S](#) [181-057-126](#) [HRFC-R2\(40\)](#) [NKSOPBUY](#) [20500002116](#) [2064996-1](#) [20800001065](#) [2170](#) [9132](#) [2612](#) [2620](#) [9291](#) [9440F16-10S](#) [9440F20-18S](#) [9442W14S-10P](#) [9446F16-10S-190](#)