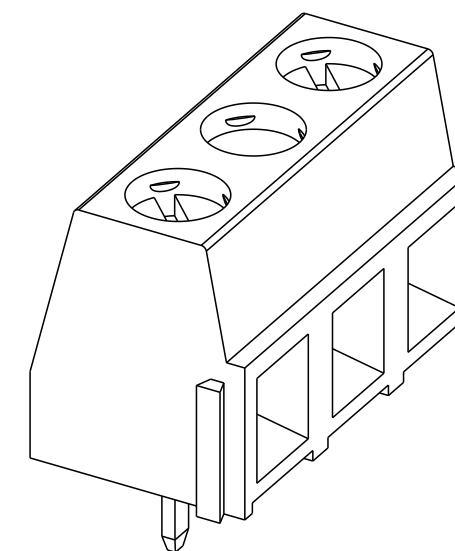
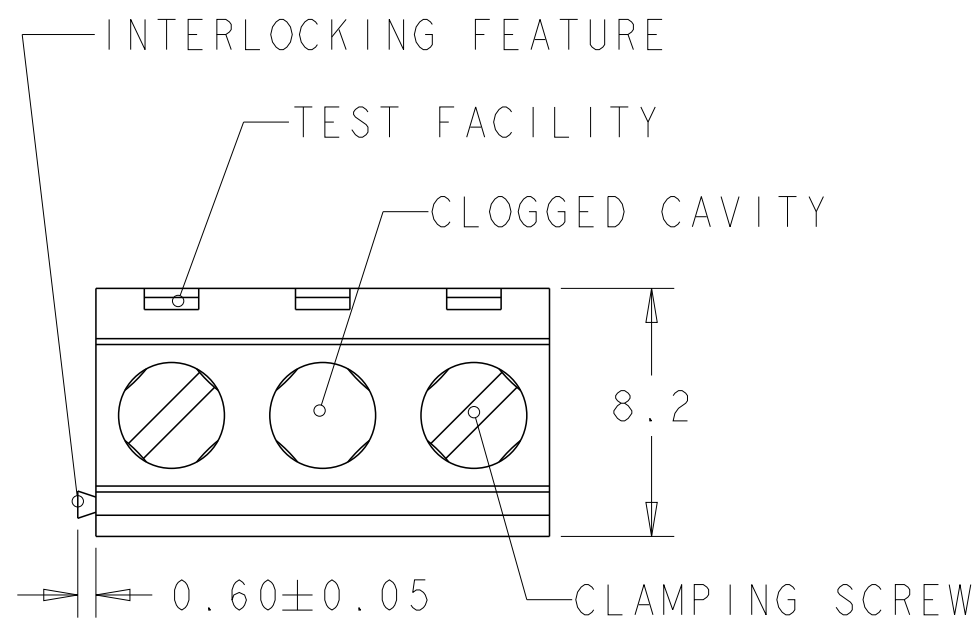
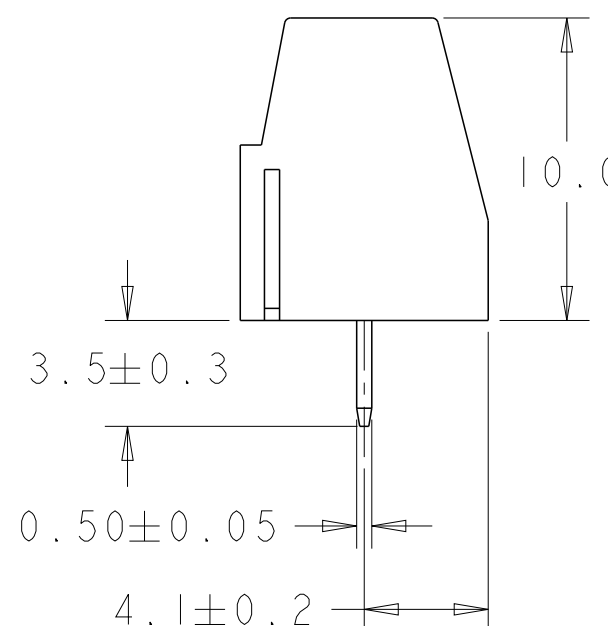
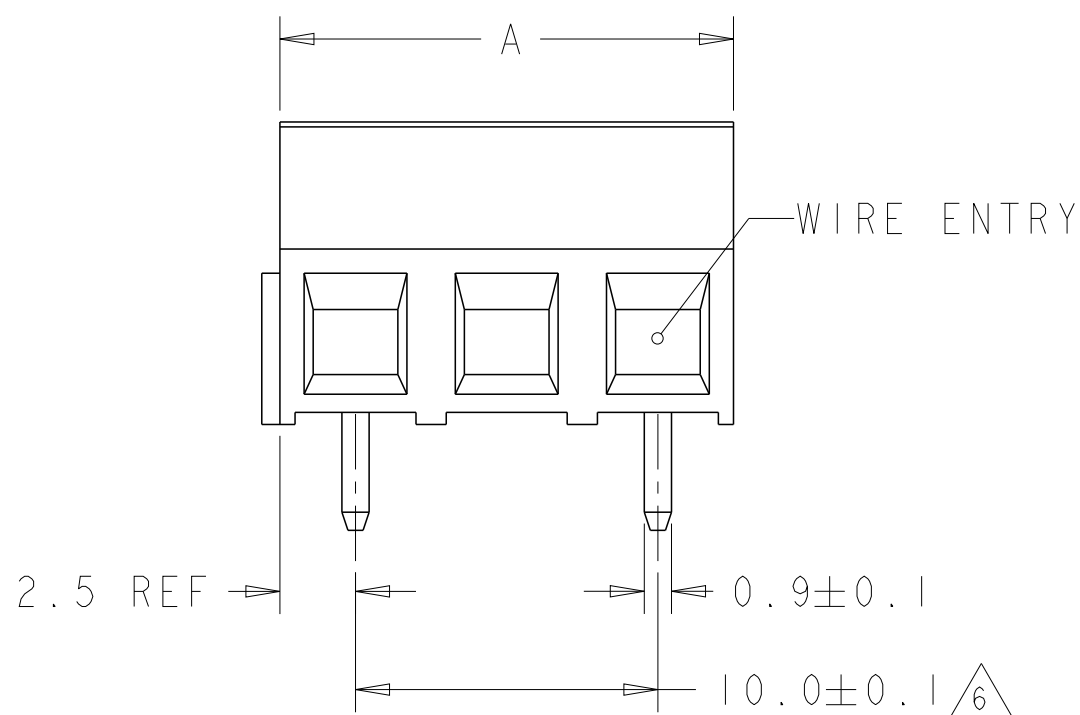


REVISIONS

P	LTR	DESCRIPTION	DATE	DWN	APVD
	E	PKG IS CHANGED FROM BOX TO TRAY	22FEB2018	RK	PS

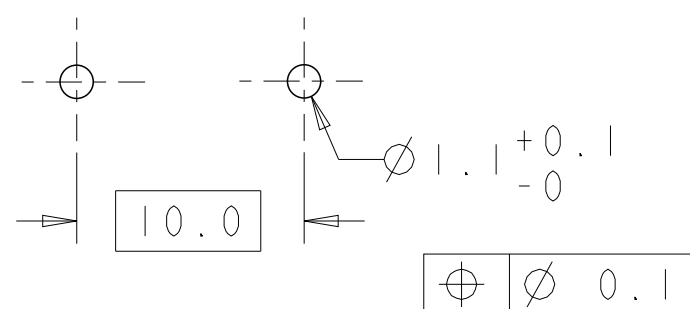


282838-2 AS SHOWN



MARKING	DIM. A	NO OF POS.	PART NUMBER	
OBSOLETE	125	13	1-282838-4	
	115	12	1-282838-3	
	105	11	1-282838-2	
	95	10	1-282838-1	
	85	9	1-282838-0	
	75	8	282838-9	
	65	7	282838-8	
	SEE PAGE 2	25	3	282838-7
		55	6	282838-6
		45	5	282838-5
	35	4	282838-4	
	25	3	282838-3	
	15	2	282838-2	

RECOMMENDED PC BOARD LAYOUT



THIS DRAWING IS A CONTROLLED DOCUMENT.		DWN E. ZANOLINI 24AUG2001	TE Connectivity	
DIMENSIONS: mm		CHK D. BIEVENOUR 24AUG2001		
TOLERANCES UNLESS OTHERWISE SPECIFIED:		APVD D. BIEVENOUR 24AUG2001	NAME TERMINAL BLOCK PCB MOUNT SIDE ENTRY WIRE 10mm PITCH	
0 PLC ±-		PRODUCT SPEC 108-20166	SIZE A3	
1 PLC ±.3		APPLICATION SPEC 114-20079	CAGE CODE 00779	DRAWING NO C-282838
2 PLC ±.25		WEIGHT -	RESTRICTED TO -	
3 PLC ±-		MATERIAL 1	SCALE 4:1	
4 PLC ±-			SHEET 1 OF 2	
ANGLES ±2		REV E		
FINISH 1		CUSTOMER DRAWING		

4

3

2

1

THIS DRAWING IS UNPUBLISHED.

RELEASED FOR PUBLICATION

20

© COPYRIGHT 20

BY -

ALL RIGHTS RESERVED.

REVISIONS

P	LTR	DESCRIPTION	DATE	DWN	APVD
	-	SEE SHEET 1	-	-	-

NOTES:

1. MATERIALS AND FINISH
 HOUSING : PA 6-6, UL 94-V0, COLOR GREEN.
 CLAMP : BRASS, NICKEL PLATED.
 TERMINAL : BRASS, TIN PLATED.
 CLAMPING SCREW : M3, BRASS, NICKEL PLATED.

2. MECHANICAL
 WIRE STRIPPING LENGTH : 5.0 - 6.0 mm
 MIN. PC BOARD HOLES DIAMETER : 1.1 mm
 MAX. PC BOARD THICKNESS : 2.4 mm
 RECOMMENDED TIGHTENING TORQUE FOR SCREW : 0.5 Nm.

3. ELECTRICAL
 WIRE RANGE : 16-30 AWG.
 MAX. VOLTAGE : 600 V
 MAX CURRENT : 13.5 A
 CONTACT RESISTANCE : <15 m Ohm
 INSULATION RESISTANCE : >1000 M Ohm (500V DC)

4. OPERATING TEMPERATURE RANGE : -40°C TO +110°C


5. RECOGNIZED UNDER THE COMPONENT PROGRAM OF
 UNDERWRITERS LABORATORIES INC. FILE NO E60677.

6. NOT CUMULATIVE TOLERANCE.

7. INK MARKING COLOR WHITE, UNLESS OTHERWISE SPECIFIED.
 NUMERICAL SEQUENCE : FROM LEFT TO RIGHT, UNLESS
 OTHERWISE SPECIFIED.

8. PACKED IN TRAY.

282838-7 AS SHOWN

THIS DRAWING IS A CONTROLLED DOCUMENT.		DWN E. ZANOLINI 24AUG2001	 TE Connectivity													
DIMENSIONS: mm		CHK D. BIEVENOUR 24AUG2001														
TOLERANCES UNLESS OTHERWISE SPECIFIED:		APVD D. BIEVENOUR 24AUG2001	NAME TERMINAL BLOCK PCB MOUNT SIDE ENTRY WIRE 10mm PITCH													
<table border="1"> <tr> <td>0 PLC</td> <td>±-</td> </tr> <tr> <td>1 PLC</td> <td>±.3</td> </tr> <tr> <td>2 PLC</td> <td>±.25</td> </tr> <tr> <td>3 PLC</td> <td>±-</td> </tr> <tr> <td>4 PLC</td> <td>±-</td> </tr> <tr> <td>ANGLES</td> <td>±2</td> </tr> </table>		0 PLC	±-	1 PLC	±.3	2 PLC	±.25	3 PLC	±-	4 PLC	±-	ANGLES	±2	PRODUCT SPEC 108-20166	RESTRICTED TO	
0 PLC	±-															
1 PLC	±.3															
2 PLC	±.25															
3 PLC	±-															
4 PLC	±-															
ANGLES	±2															
MATERIAL		APPLICATION SPEC 114-20079	SIZE A3	CAGE CODE 00779	DRAWING NO C-282838											
FINISH		WEIGHT -	SCALE 4:1													
		CUSTOMER DRAWING	SHEET 2 OF 2													
			REV E													

1470-19 (3/13)

X-ON Electronics

Largest Supplier of Electrical and Electronic Components

Click to view similar products for [Fixed Terminal Blocks](#) category:

Click to view products by [TE Connectivity](#) manufacturer:

Other Similar products are found below :

[MBE-1512](#) [MBE-154](#) [MBE-156](#) [MBES-153](#) [MBES-156](#) [MH-2512](#) [MHE-132](#) [MHE-163](#) [MI-254 \(35\)](#) [MI-272](#) [880507](#) [MPT-275](#)
[15602-04-08-21](#) [BA311TU](#) [BA411SU](#) [MV-152](#) [MV-252-D](#) [MV-253/NCNOC](#) [MV-254-D](#) [MV-255](#) [MV-462](#) [MV-493](#) [MVE-252](#) [MVE-253](#)
[MVE-273](#) [MVEB-153](#) [1700096](#) [1705142](#) [1712417](#) [1713020](#) [1713088](#) [1745195](#) [1760594](#) [1776118-2](#) [1790852](#) [1-796689-8](#) [1-796692-6](#)
[1800001](#) [1800114](#) [1995279](#) [20020314-C121B01LF](#) [CB2-12](#) [KP03215000J0G](#) [KP04215000J0G](#) [S451](#) [282802-2](#) [29.007](#) [29.116](#) [30.103](#)
[30.106](#)