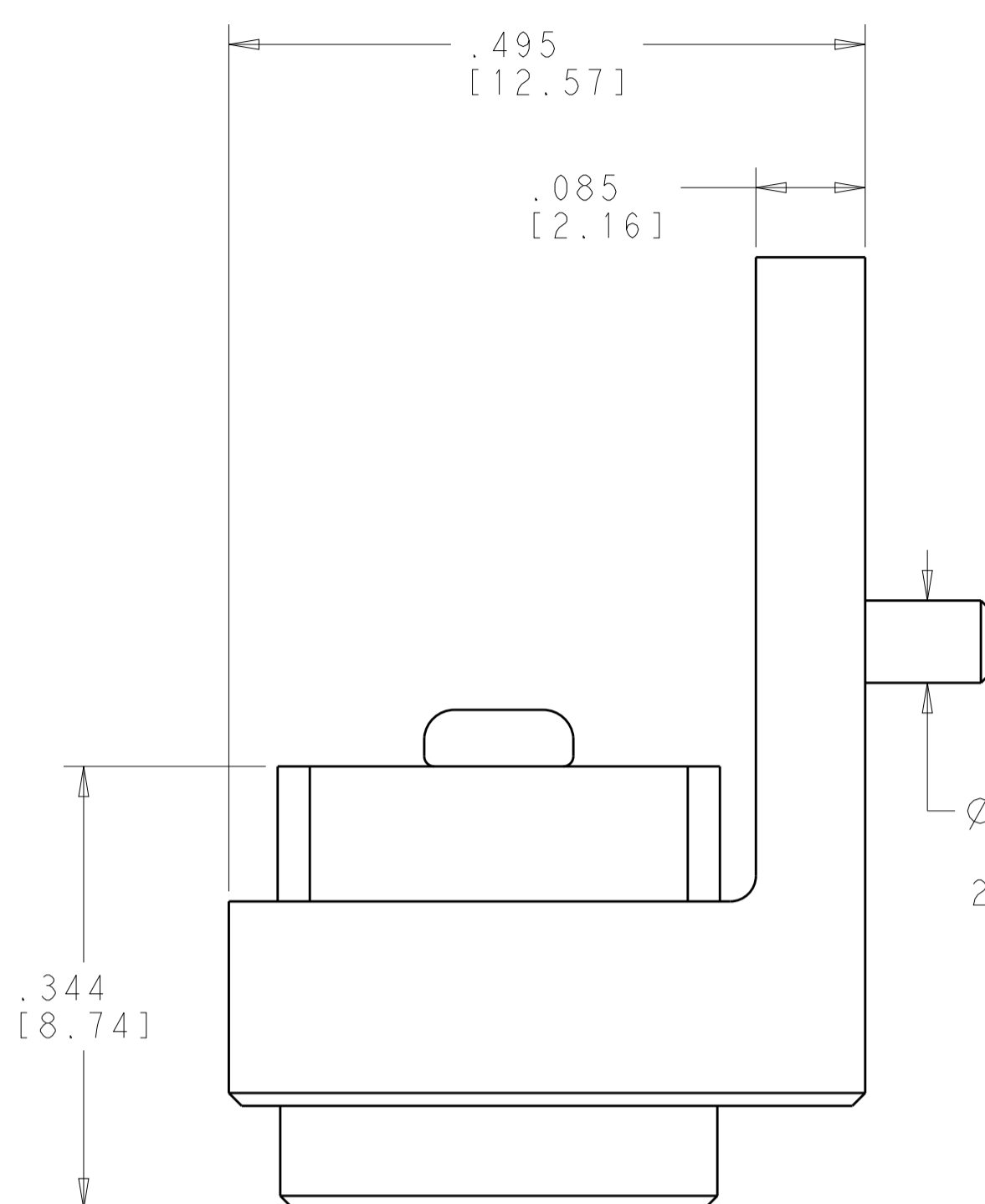
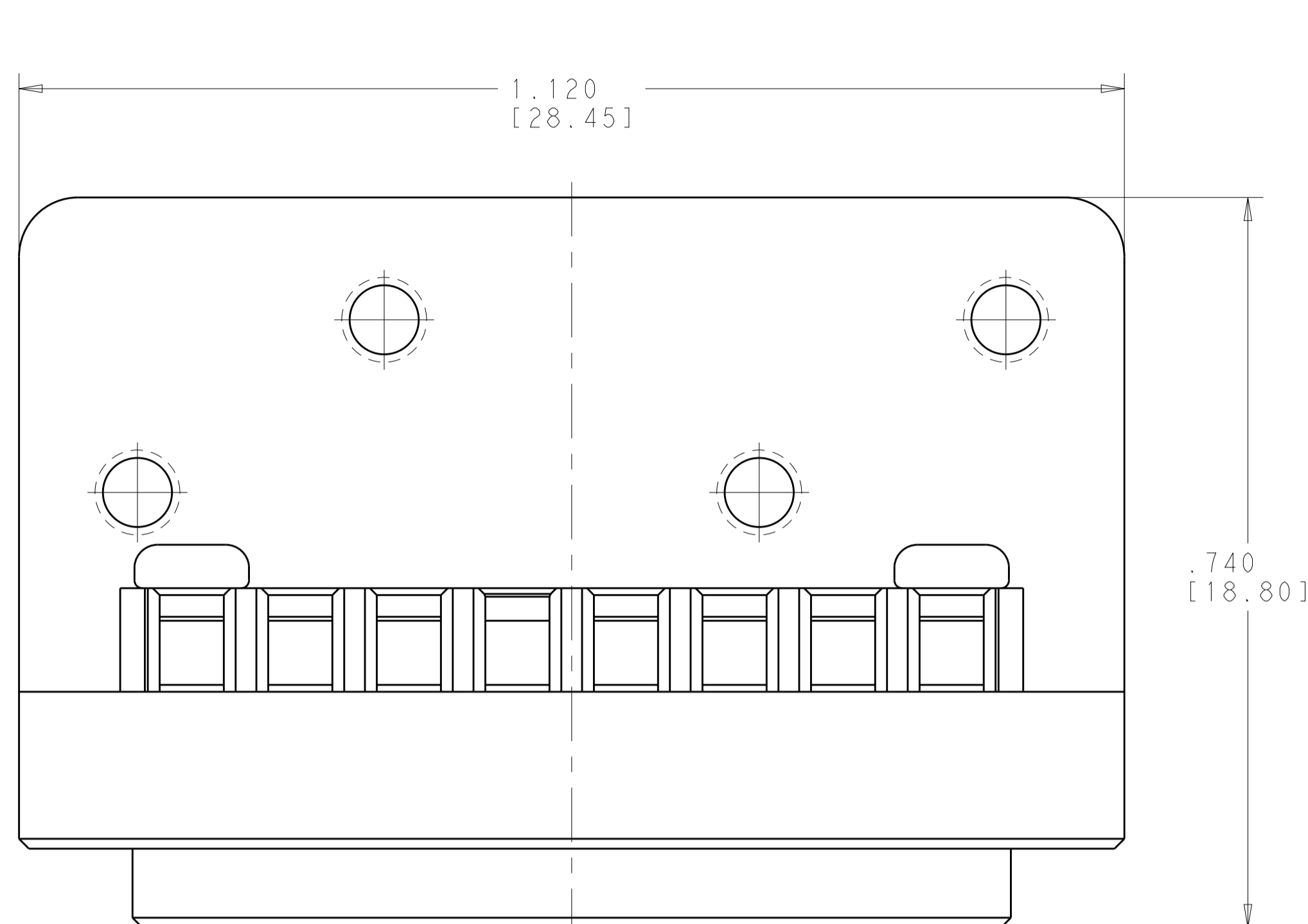
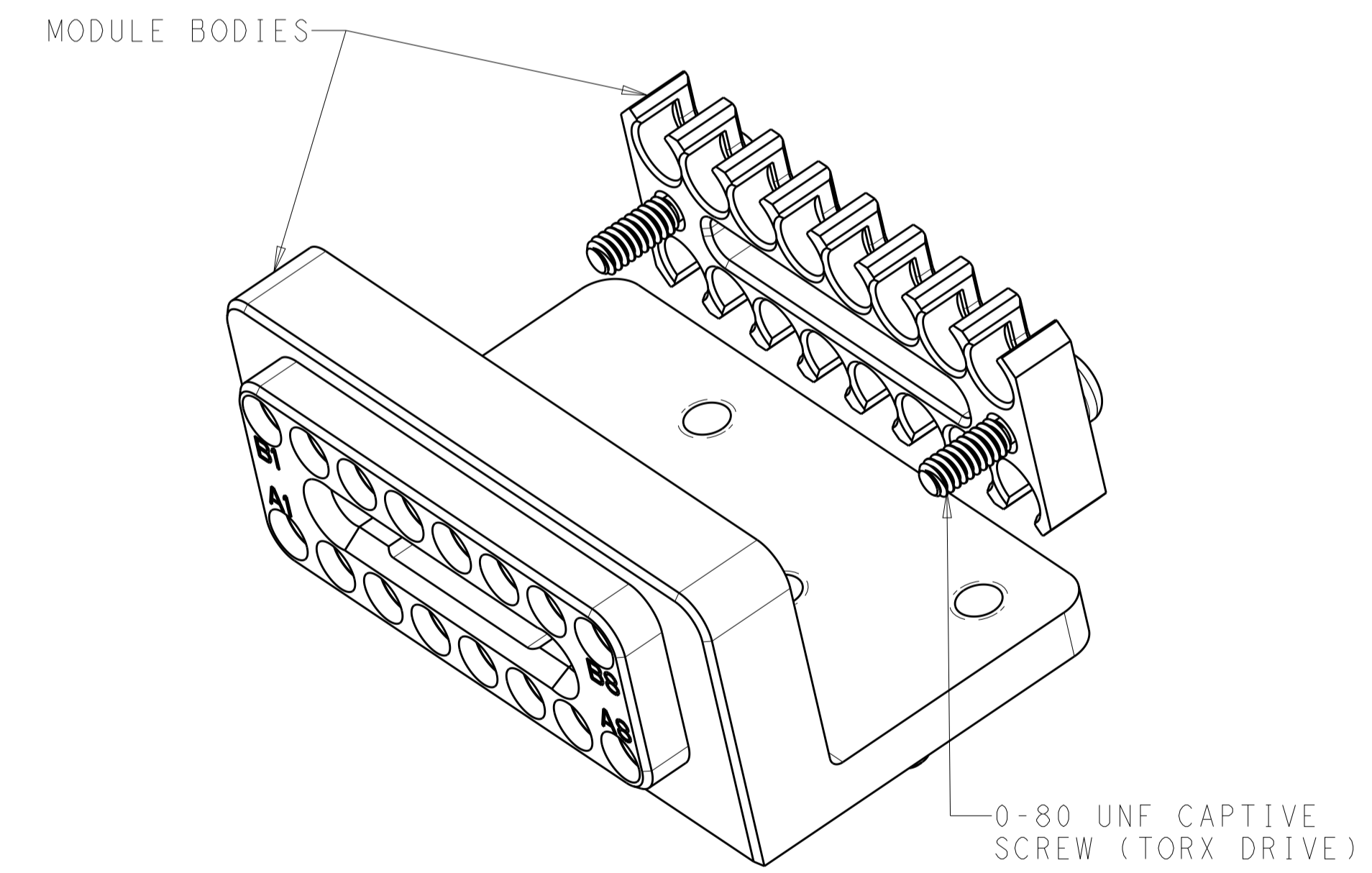
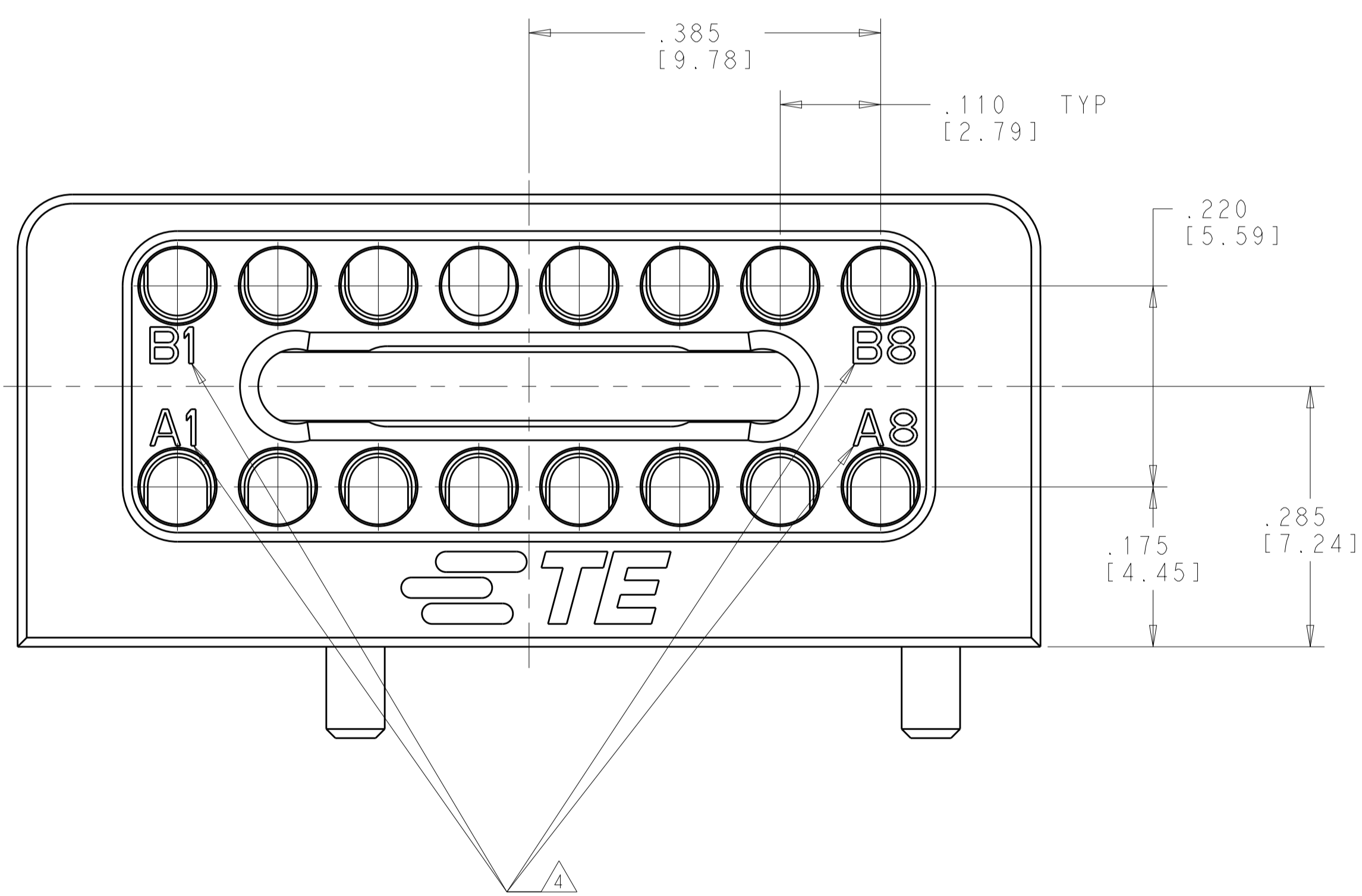
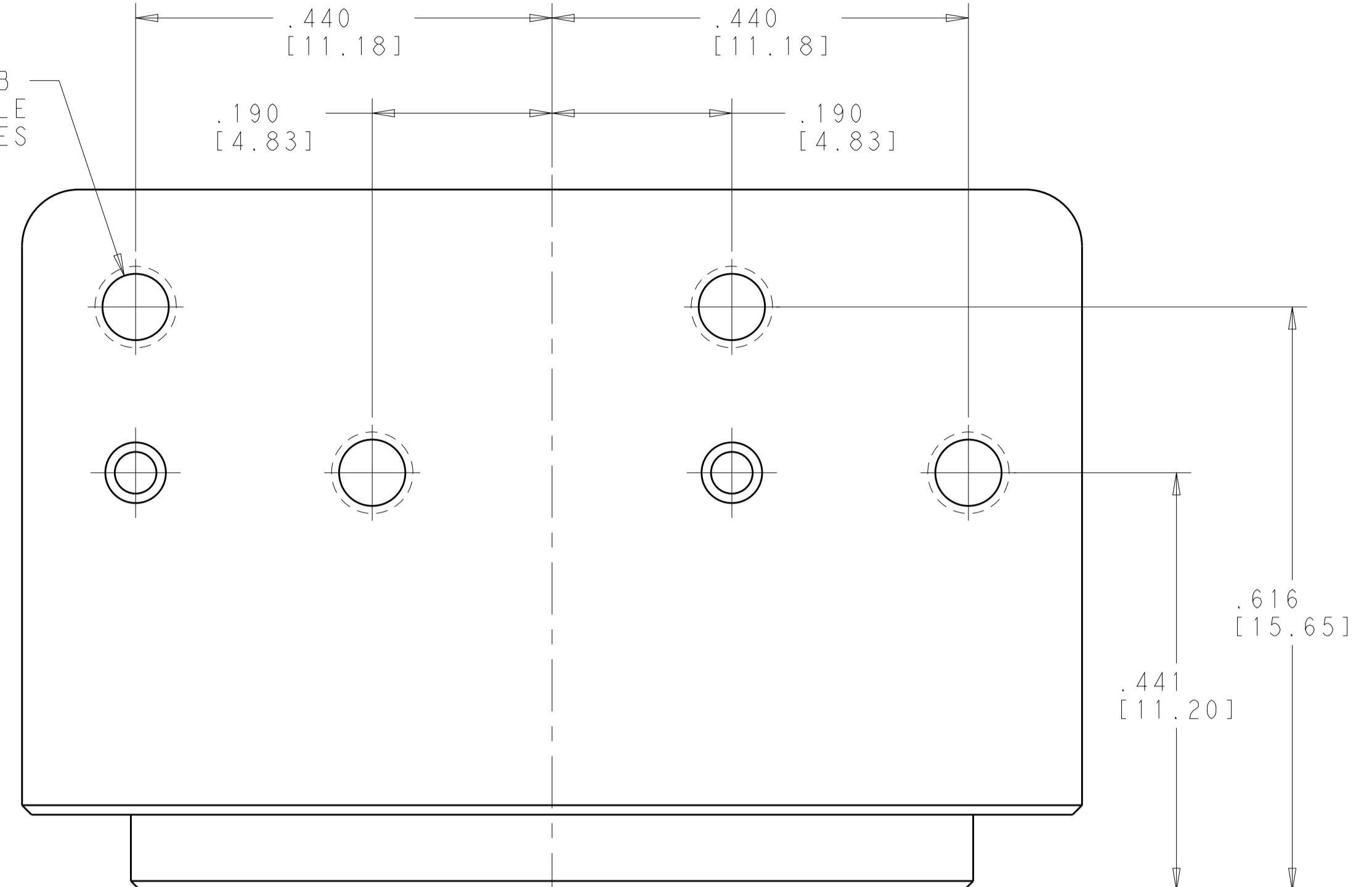


REVISIONS				
P.	LTN.	DESCRIPTION	DATE	APVD.
B		RELEASED PER ECO 19-005475	4-9-19	CT FB



2-56 UNC-2B  
THREADED THRU HOLE  
4 PLACES



SCALE 5:1

1 MATERIAL:  
MODULE BODIES - SEE TABLE  
SCREWS - 300 SERIES STAINLESS STEEL

2 FINISH:  
MODULE BODIES - SEE TABLE  
SCREWS - PASSIVATED

3. SHIPPED IN KIT FORM.

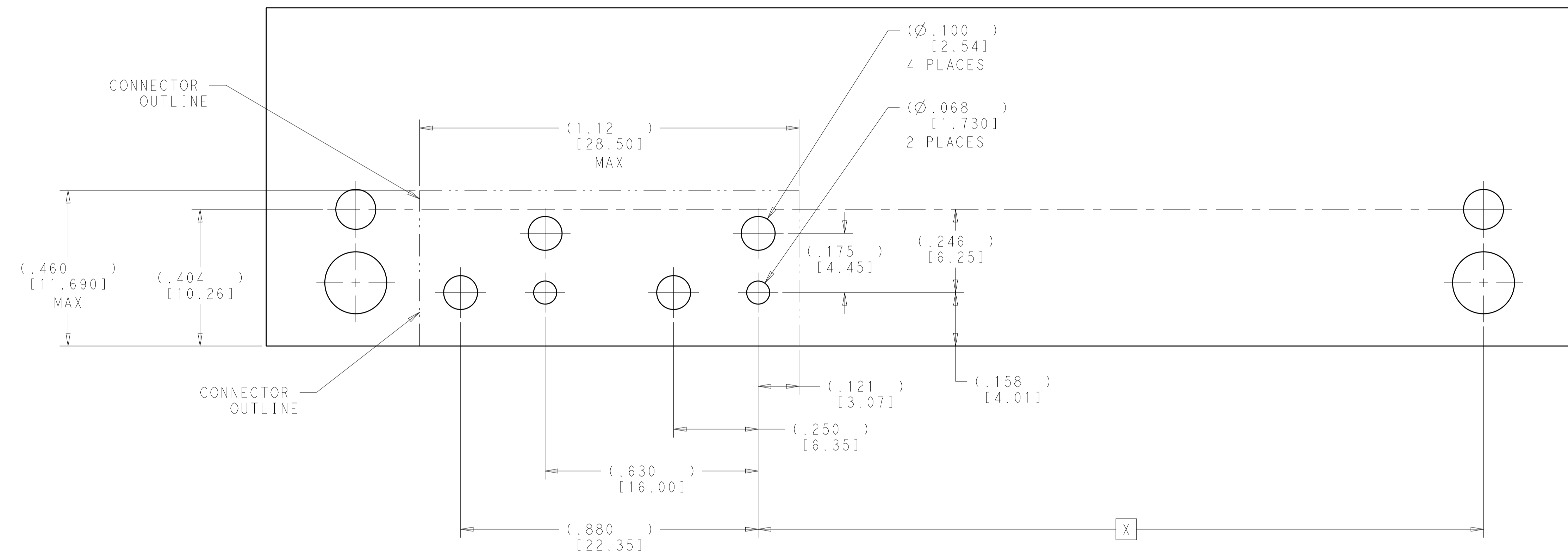
4 CIRCUIT IDENTIFICATION MARKING

5 P3 MODULE LOCATION CAN BE MOVED - .129[3.28] TO POSITION P3 = 3.702[94.03] TO ALLOW FOR USE OF A FULL MULTIGIG CONNECTOR IN P4. THE BACKPLANE MODULE POSITION MUST ALSO BE ADJUSTED ACCORDINGLY.

CLEAR CHROMATE CONVERSION COATING	ALUMINUM ALLOY 7075	2828392-2
PASSIVATED	STAINLESS STEEL PER UNS S30300	2828392-1
MODULE FINISH 2	MODULE MATERIAL 1	PART NUMBER

THIS DRAWING IS A CONTROLLED DOCUMENT.		DWN R. MILLER 06AUG2015	TE Connectivity	
DIMENSIONS: INCHES/mm		CHK C. YI 14AUG2015	NAME 16 POSITION NanoRF MODULE P.C.B. MOUNT - DAUGHTERCARD VITA	
TOLERANCES UNLESS OTHERWISE SPECIFIED:		APVD K. DOWNHOWER 11APR2018	SIZE CAGE CODE DRAWING NO	
0 PLC ±		PRODUCT SPEC	RESTRICTED TO	
2 PLC ±		108-163006	A   00779   C=2828392	
3 PLC ±.005(0.13)		APPLICATION SPEC	SCALE 8:1 SHEET 1 OF 2 REV B	
4 PLC ±		408-163016		
ANGLES ±		WEIGHT		
MATERIAL 1		FINISH 2	CUSTOMER DRAWING	

REVISIONS				
P.	LTN	DESCRIPTION	DATE	APVD
-		SEE SHEET 1	-	-



DESIGNED FOR VITA 67.2 PCB LAYOUT  
(VIEW FROM TOP SIDE)

P2	2.145 [54.48]
$\triangle$ P3	3.831 [97.31]
P4	4.965 [126.11]
P5	6.099 [154.91]
P6	7.233 [183.71]
POSITION	DIM "X"

THIS DRAWING IS A CONTROLLED DOCUMENT.		DWN H. MILLER 14AUG2015	TE Connectivity
DIMENSIONS: INCHES/mm		CHK C. YI 14AUG2015	
TOLERANCES UNLESS OTHERWISE SPECIFIED:		APVD K. DOWNHOWER 11APR2018	NAME 16 POSITION NanoRF MODULE P.C.B. MOUNT - DAUGHTERCARD VITA
0 PLC ±. 1 PLC ±. 2 PLC ±. 3 PLC ±.005(0.13) 4 PLC ±. ANGLES ±. FINISH		PRODUCT SPEC 108-163006	SIZE A
MATERIAL		APPLICATION SPEC 408-163016	CAGE CODE 00779
		WEIGHT	DRAWING NO 2828392
		CUSTOMER DRAWING	RESTRICTED TO B
		SCALE 4:1	SHEET 2 OF 2
			REV B

## X-ON Electronics

Largest Supplier of Electrical and Electronic Components

*Click to view similar products for [RF Connector Accessories](#) category:*

*Click to view products by [TE Connectivity](#) manufacturer:*

Other Similar products are found below :

[89674-0712](#) [F702RX24](#) [FERRULE-174](#) [R141802000](#) [R141805000](#) [R141842000](#) [R161862000](#) [R161862000W](#) [R280752000](#) [R280907000](#)  
[R694261906](#) [RFI21-13](#) [RFI75-13-D2](#) [RFI75-4-D2](#) [AX102906](#) [AX102907](#) [18097-0013](#) [HP-375](#) [HP-500](#) [2098-0294-00](#) [2098-3251-94](#) [KA-](#)  
[81-05](#) [89674-0805](#) [F1](#) [FERRULE-223](#) [202102-11](#) [213337-1](#) [220222-2](#) [24092671A](#) [24092678A](#) [R161841000](#) [R280468000](#) [R280510000](#)  
[R282862060](#) [RFI155-1](#) [RFI25-12-D3](#) [RFI25-5](#) [RFI25-5-D3](#) [RFI75-12-D2](#) [RFI75-2-D2](#) [RFI75-4-D3](#) [RFI77-6](#) [360HS001M2508M6](#) [4-](#)  
[1532137-4](#) [5-21085-0](#) [105274-1000](#) [111062-0490](#) [112122-SOD-LUG](#) [112-NUT-KNURL](#) [IPP-2014](#)