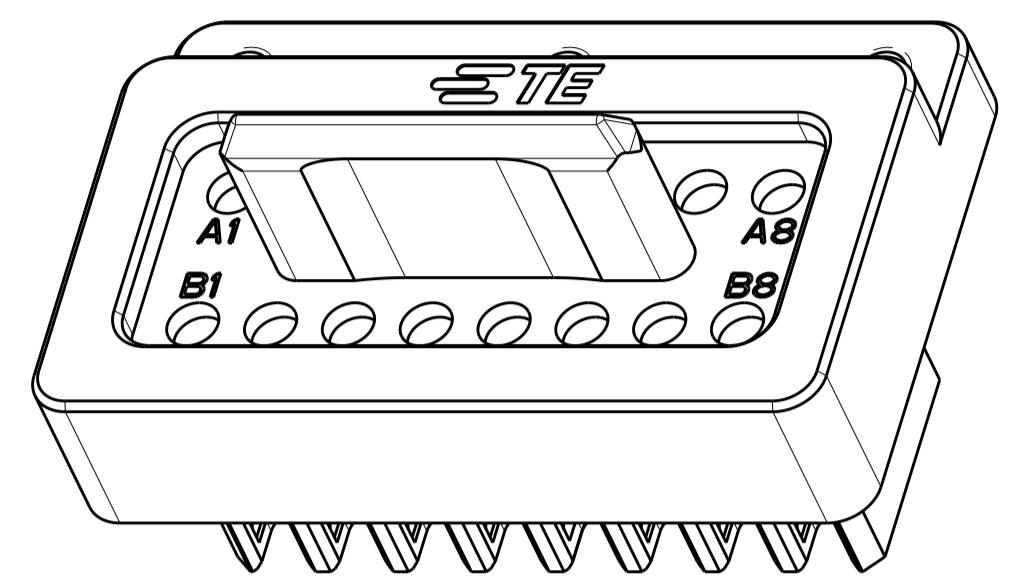
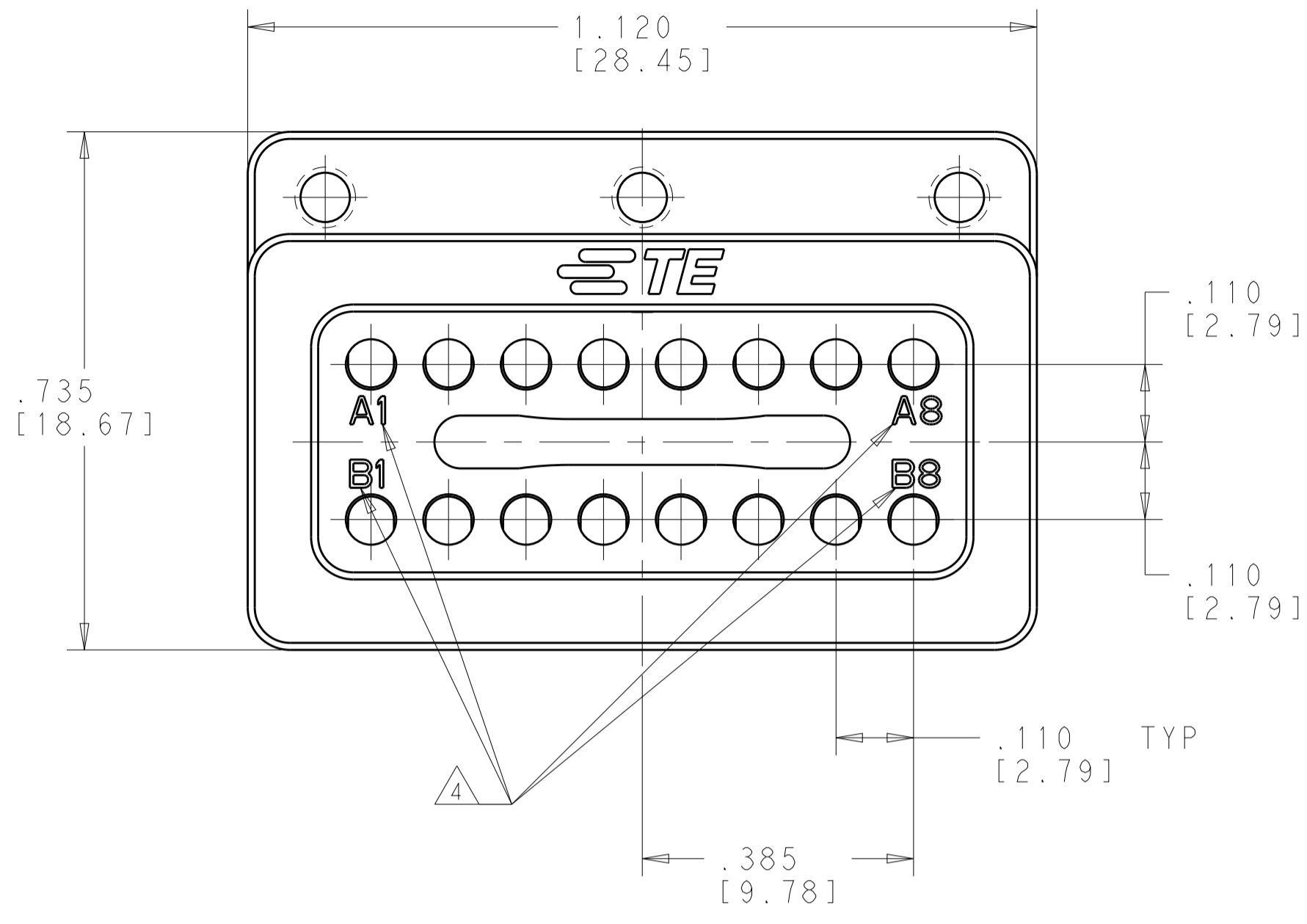
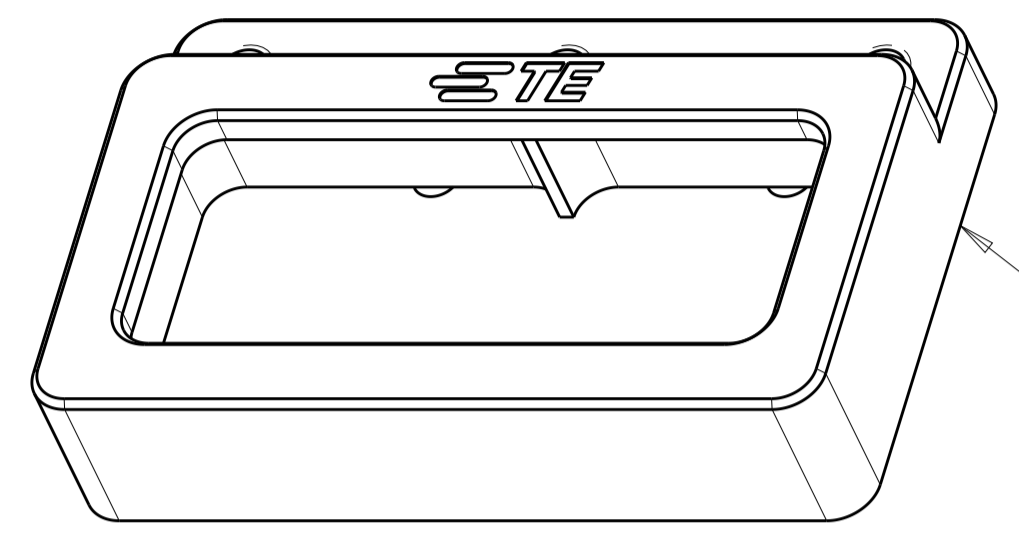


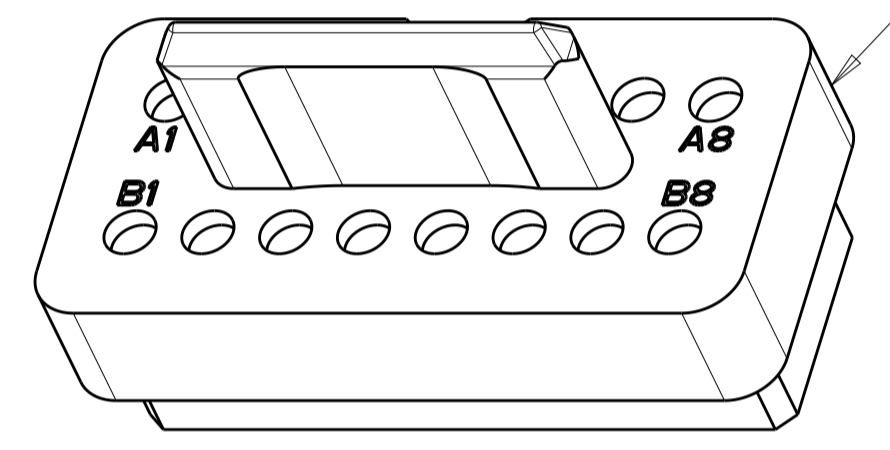
REVISIONS				
P.	LTN	DESCRIPTION	DATE	APVD
B		RELEASED PER ECO 19-005475	4-9-19	CT FB



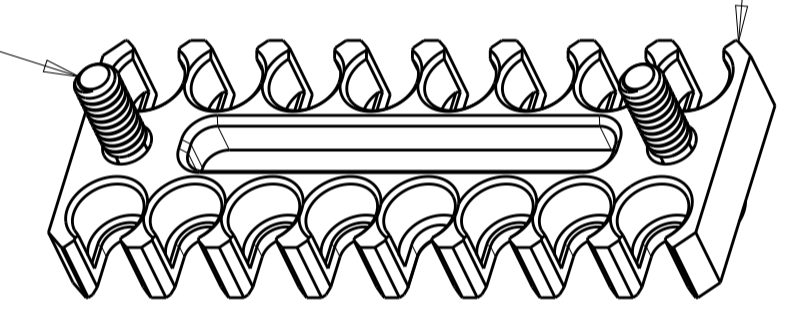
SCALE 4:1



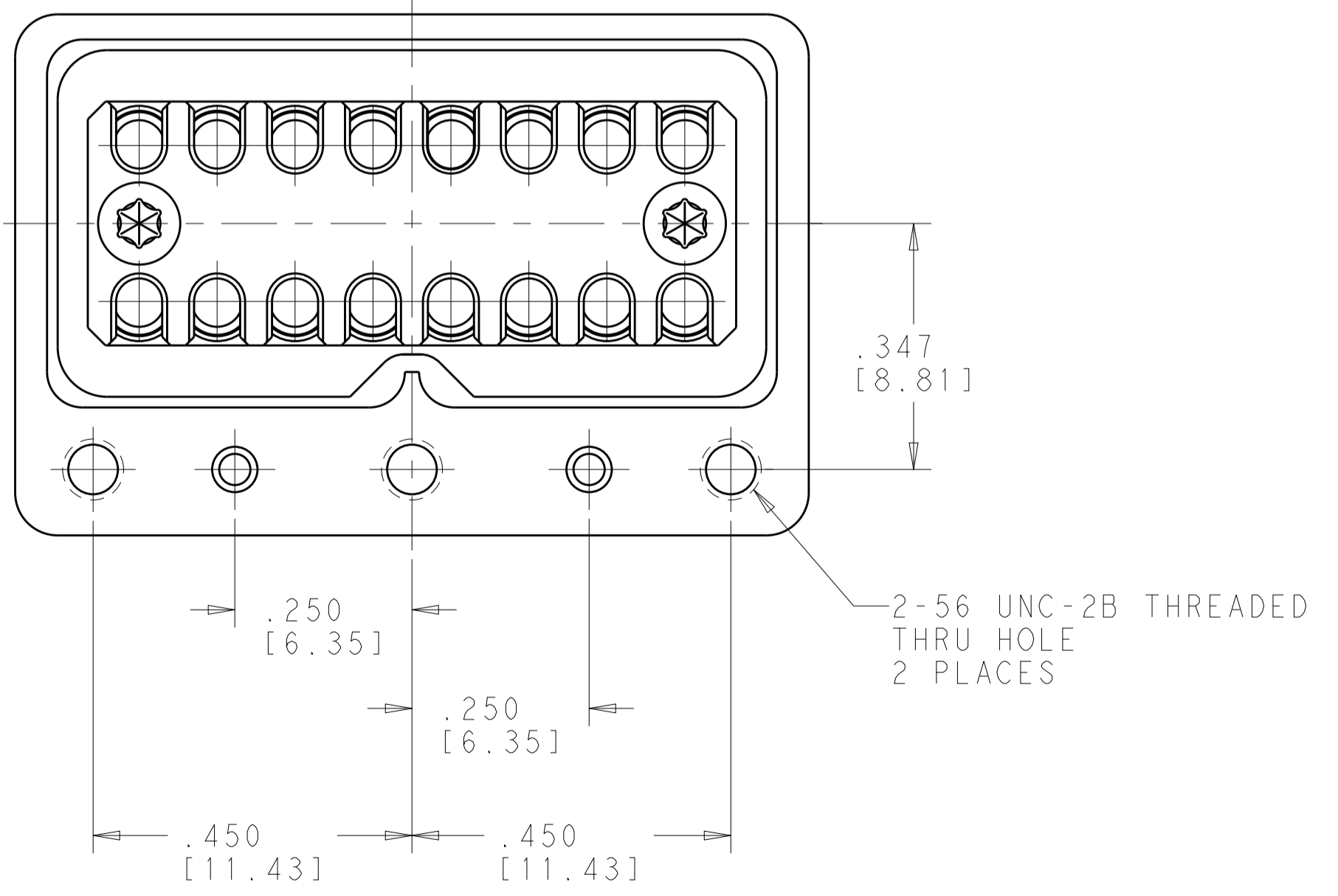
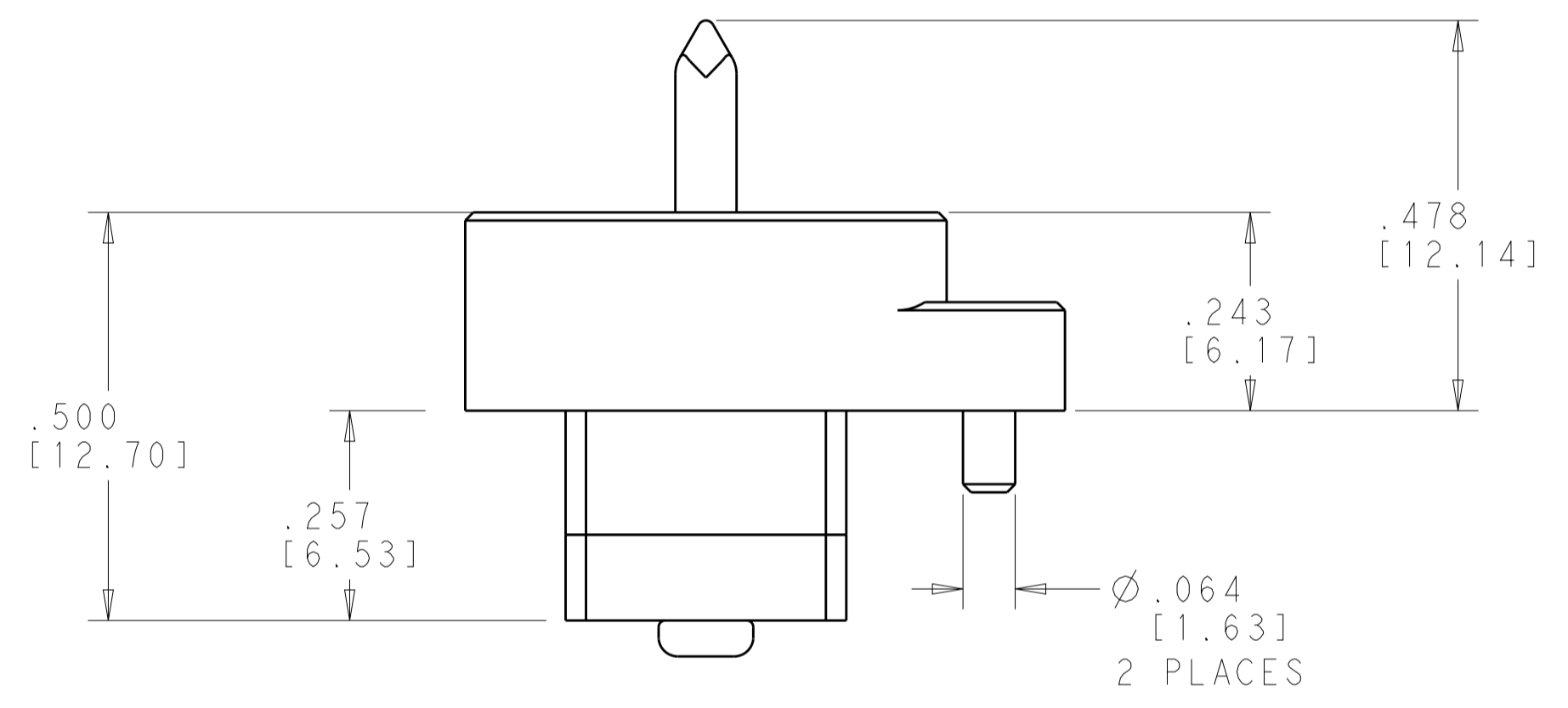
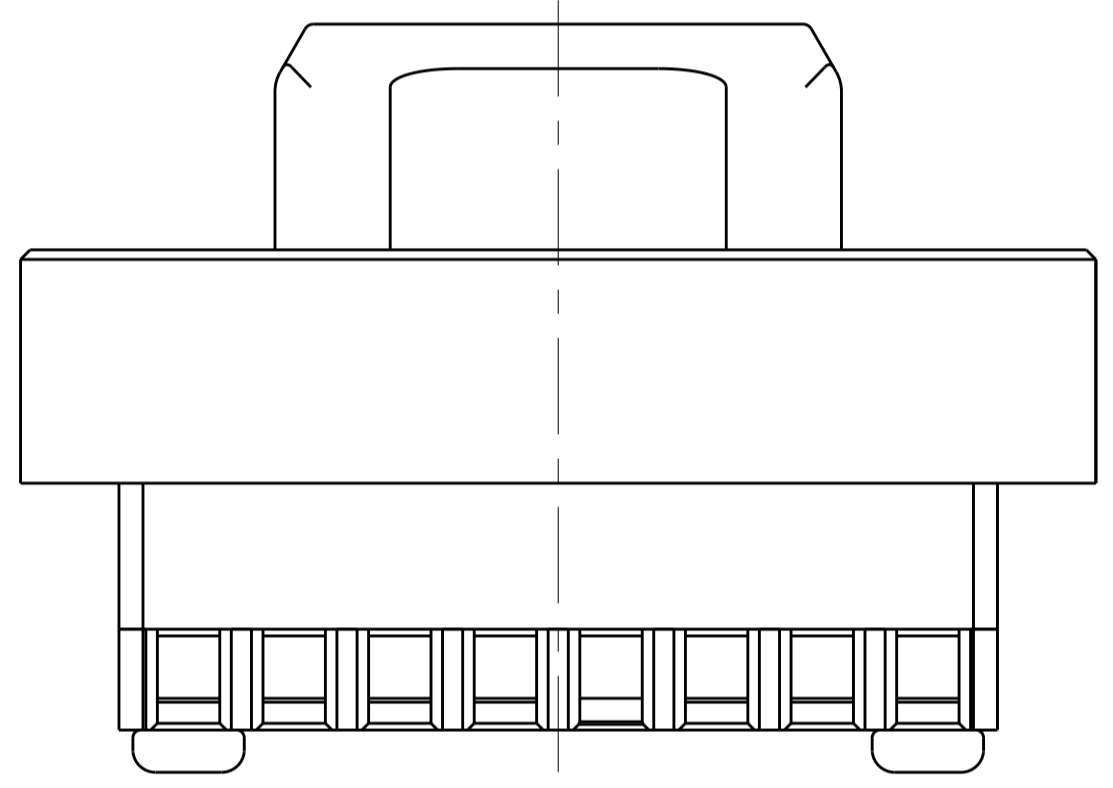
MODULE BODIES



0-80 UNF CAPTIVE SCREW (TORX DRIVE)



SCALE 4:1

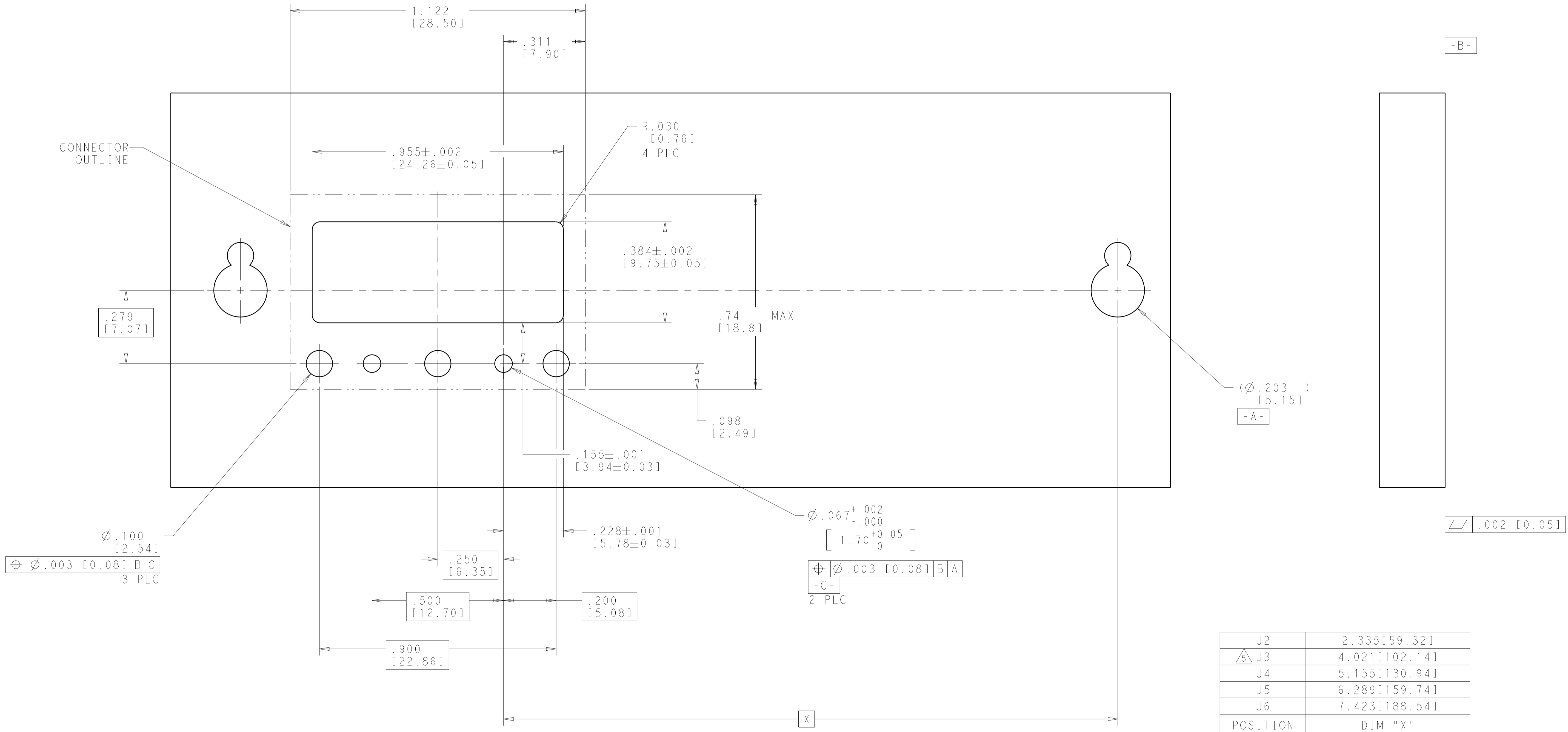


- 1 MATERIAL:
MODULE BODIES - SEE TABLE
GUIDE PIN - STAINLESS STEEL, PER UNS S30300
SCREWS - 300 SERIES STAINLESS STEEL
- 2 FINISH:
MODULE BODIES - SEE TABLE
SCREWS AND GUIDE PIN - PASSIVATED
- 3. SHIPPED IN KIT FORM.
- 4 CIRCUIT IDENTIFICATION MARKING
- 5 J3 MODULE LOCATION CAN BE MOVED -.129[3.28] TO POSITION J3 = 3.892[98.86] TO ALLOW FOR USE OF A FULL MULTIGIG CONNECTOR IN J4. THE DAUGHTERCARD MODULE POSITION MUST ALSO BE ADJUSTED ACCORDINGLY.

CLEAR CHROMATE CONVERSION COATING	ALUMINUM ALLOY 7075	2828395-2
PASSIVATED	STAINLESS STEEL PER UNS S30300	2828395-1
MODULE FINISH 2	MODULE MATERIAL 1	PART NUMBER

THIS DRAWING IS A CONTROLLED DOCUMENT.		OWN: R. MILLER 06AUG2015	TE Connectivity
DIMENSIONS: INCHES/mm		CHK: C. YI 14AUG25015	
TOLERANCES UNLESS OTHERWISE SPECIFIED:		APVD: K. DOWNHOWER 11APR2018	NAME: 16 POSITION NanoRF MODULE P.C.B. MOUNT - BACKPLANE VITA
0 PLC ±		PRODUCT SPEC: 108-163006	
1 PLC ±		APPLICATION SPEC: 408-163016	RESTRICTED TO
2 PLC ±.005[0.13]		WEIGHT: -	SCALE: 5:1
3 PLC ±		CUSTOMER DRAWING	SHEET 1 OF 2
4 PLC ±			REV B
ANGLES ±			
MATERIAL NOTE 1			
FINISH NOTE 2			

REVISIONS				
P.	LTN	DESCRIPTION	DATE	APVD
-		SEE SHEET 1	-	-



J2	2.335[59.32]
J3	4.021[102.14]
J4	5.155[130.94]
J5	6.289[159.74]
J6	7.423[188.54]
POSITION	DIM "X"

TYP PCB LAYOUT - VIEWED FROM BACKSIDE OF BACKPLANE

THIS DRAWING IS A CONTROLLED DOCUMENT.		DWN H. MILLER 06AUG2015	TE Connectivity												
DIMENSIONS: INCHES/mm		CHK C. YI 14AUG25015													
TOLERANCES UNLESS OTHERWISE SPECIFIED:		APVD K. DOWNHOWER 11APR2018	NAME 16 POSITION NanoRF MODULE												
<table border="0"> <tr> <td>0 PLC</td> <td>±</td> </tr> <tr> <td>1 PLC</td> <td>±</td> </tr> <tr> <td>2 PLC</td> <td>±</td> </tr> <tr> <td>3 PLC</td> <td>±</td> </tr> <tr> <td>4 PLC</td> <td>±.005[0.13]</td> </tr> <tr> <td>ANGLES</td> <td>±</td> </tr> </table>		0 PLC	±	1 PLC	±	2 PLC	±	3 PLC	±	4 PLC	±.005[0.13]	ANGLES	±	PRODUCT SPEC 108-163006	P.C.B. MOUNT - BACKPLANE
0 PLC	±														
1 PLC	±														
2 PLC	±														
3 PLC	±														
4 PLC	±.005[0.13]														
ANGLES	±														
MATERIAL NOTE 1		APPLICATION SPEC 408-163016	VITA												
NOTE 2		WEIGHT	SIZE A100779												
CUSTOMER DRAWING		SCALE 5:1	RESTRICTED TO C=2828395												
		SHEET 2	REV B												

X-ON Electronics

Largest Supplier of Electrical and Electronic Components

Click to view similar products for [RF Connector Accessories](#) category:

Click to view products by [TE Connectivity](#) manufacturer:

Other Similar products are found below :

[89674-0712](#) [F702RX24](#) [FERRULE-174](#) [R141802000](#) [R141805000](#) [R141842000](#) [R161862000](#) [R161862000W](#) [R280752000](#) [R280907000](#)
[R694261906](#) [RFI21-13](#) [RFI75-13-D2](#) [RFI75-4-D2](#) [AX102906](#) [AX102907](#) [18097-0013](#) [HP-375](#) [HP-500](#) [2098-0294-00](#) [2098-3251-94](#) [KA-](#)
[81-05](#) [89674-0805](#) [F1](#) [FERRULE-223](#) [202102-11](#) [213337-1](#) [220222-2](#) [24092671A](#) [24092678A](#) [R280468000](#) [R280510000](#) [R282862060](#)
[RFI155-1](#) [RFI25-12-D3](#) [RFI25-5](#) [RFI25-5-D3](#) [RFI75-12-D2](#) [RFI75-2-D2](#) [RFI75-4-D3](#) [RFI77-6](#) [360HS001M2508M6](#) [4-1532137-4](#) [5-21085-](#)
[0](#) [105274-1000](#) [111062-0490](#) [112122-SOD-LUG](#) [112-NUT-KNURL](#) [IPP-2014](#) [R280490020](#)