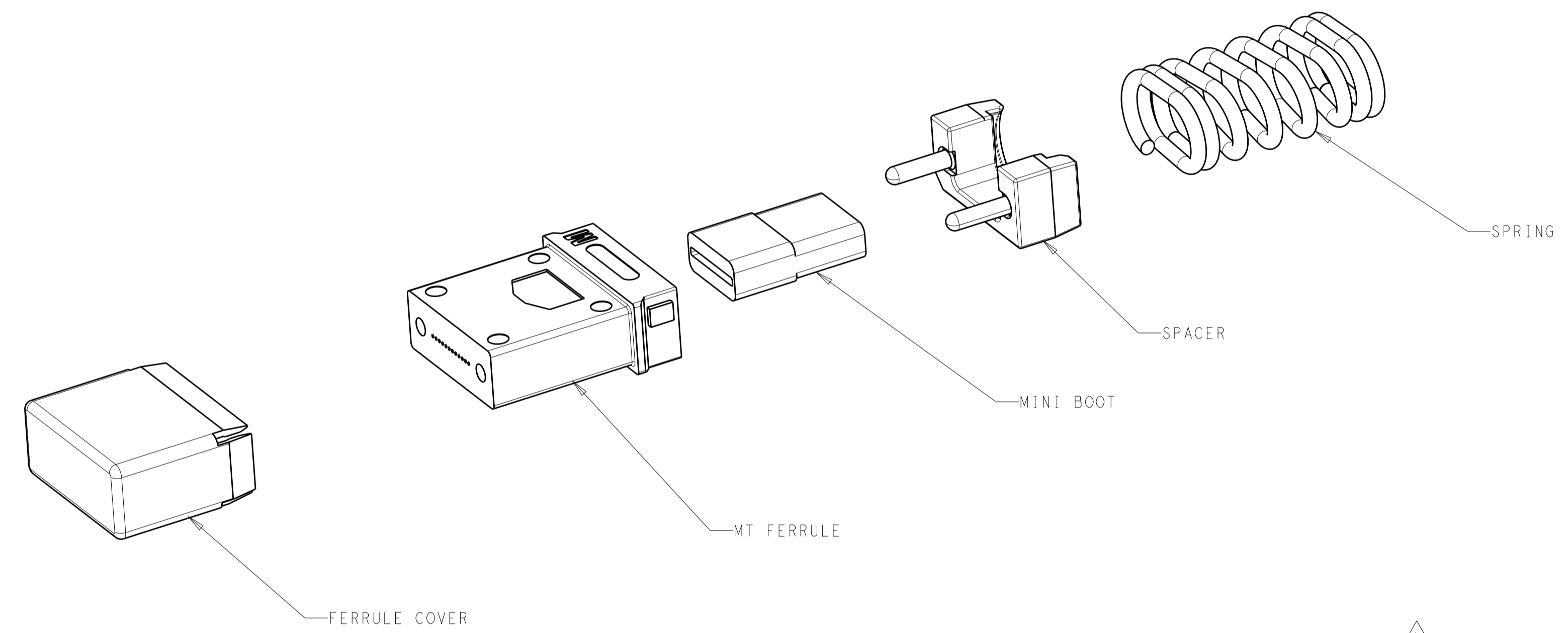


REVISIONS				
P.	LTN	DESCRIPTION	DATE	OWN APVD
A		RELEASED PER ECO-17-011646	16NOV2017	- -
A1		REVISED PER ECO-18-003364	21FEB2018	DF JM

MT FERRULE KIT  
 (COMPONENTS PACKAGED UNASSEMBLED)  
 2828413-1 SHOWN



- 1 MATERIAL= MT FERRULE: THERMOPLASTIC PER ASTM D4067  
 FERRULE COVER: ABS PER ASTM D4673  
 MINI BOOT: VULCANIZED THERMOPLASTIC POLYOLEFIN  
 SPRING: 300 SERIES, STAINLESS STEEL WIRE, PER ASTM A313  
 SPACER: PBT PER ASTM D5927
- 2 FINISH= SPRING: PASSIVATED

0.225	7 CAVITY RCPT: 2828464-1	SPACER AND SPRING NOT INCLUDED	12 FIBER, MULTI-MODE, LOW-LOSS GRADE	2828413-3
0.463	2 CAVITY RCPT: 2828383-1	ALL COMPONENTS INCLUDED	24 FIBER, MULTI-MODE, LOW-LOSS GRADE	2828413-2
0.465	2 CAVITY RCPT: 2828383-1	ALL COMPONENTS INCLUDED	12 FIBER, MULTI-MODE, LOW-LOSS GRADE	2828413-1
KIT WEIGHT (GRAMS)	USED WITH	KIT COMPONENTS	MT FERRULE TYPE	KIT PART NUMBER

THIS DRAWING IS A CONTROLLED DOCUMENT.		OWN D. FABIAN 08APR2015	TE Connectivity	
DIMENSIONS: mm		CHK J. MOSIER 16NOV2017		
TOLERANCES UNLESS OTHERWISE SPECIFIED:		APVD J. MOSIER 16NOV2017	NAME MT FERRULE KIT, WITHOUT PINS FOR RECEPTACLE (BACKPLANE) VITA 66 DERIVATIVE CONNECTOR	
0 PLC ± 1 PLC ± 2 PLC ±0.13 3 PLC ± 4 PLC ± ANGLES ±#1		PRODUCT SPEC 108-163007	SIZE A1	
MATERIAL		APPLICATION SPEC 114-163005	CAGE CODE -	
FINISH		WEIGHT SEE TABLE	DRAWING NO C=2828413	
1		CUSTOMER DRAWING		RESTRICTED TO SCALE 7:1 SHEET 1 OF 1 REV A1

## X-ON Electronics

Largest Supplier of Electrical and Electronic Components

*Click to view similar products for [Fibre Optic Connectors](#) category:*

*Click to view products by [TE Connectivity](#) manufacturer:*

Other Similar products are found below :

[0004700001](#) [6100-R](#) [6313](#) [F709034706](#) [F709730000](#) [F718183204](#) [F727403500](#) [F727752800](#) [8119](#) [9440F20-27S-190](#) [944-120-6001](#)  
[9441F10SL-3S](#) [9444W28-21S](#) [9444W36-10S](#) [9446F10SL-4S](#) [9446W20-16S](#) [953-101-5310-P](#) [954-101-57202B](#) [A0270169](#) [12-9122](#) [12-5702](#)  
[AX101713](#) [AX102420](#) [AX103923](#) [AX104024](#) [AX104193](#) [AX104230](#) [AX104498](#) [AX104562](#) [AX105203-B25](#) [AX105205-S1](#) [EHSC2M](#)  
[181-011-126](#) [181-011-S](#) [181-057-126](#) [HRFC-R2\(40\)](#) [NKSOPBUY](#) [20500002116](#) [2064996-1](#) [20800001065](#) [2170](#) [9132](#) [2612](#) [2620](#) [9291](#)  
[9440F16-10S](#) [9440F20-18S](#) [9446F16-10S-190](#) [953-106-50231](#) [953-120-5003](#)