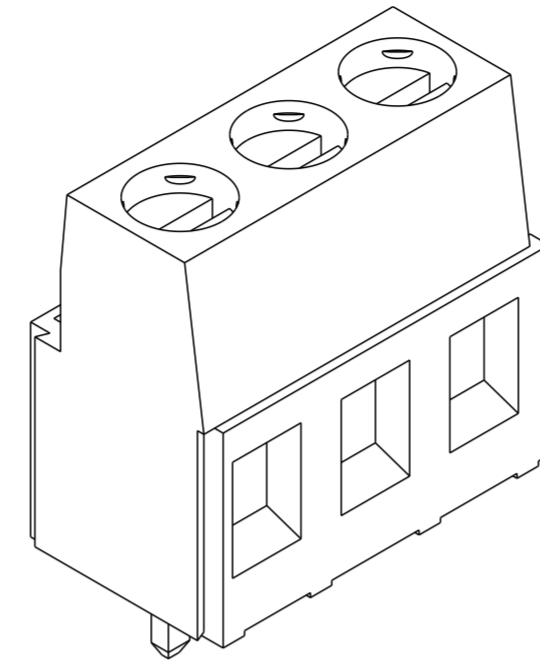


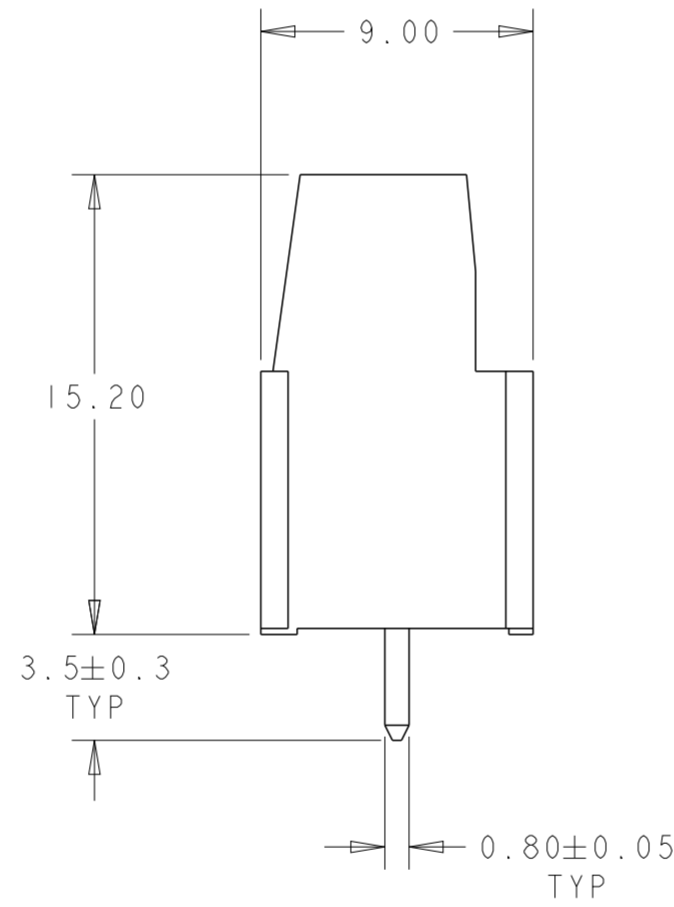
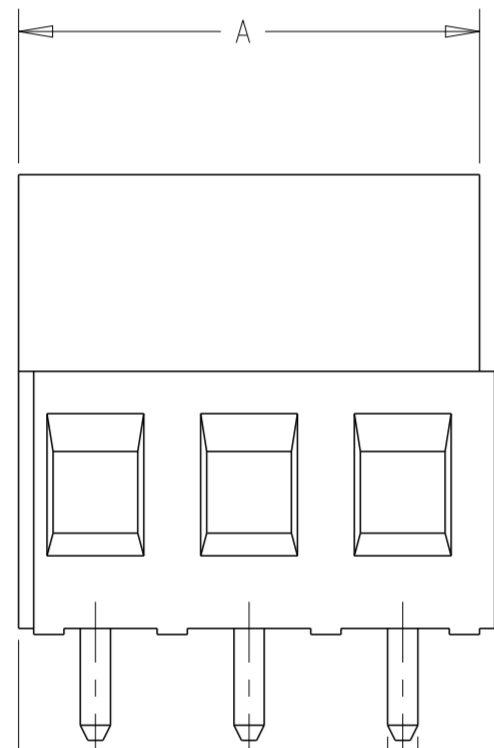
P	LTR	DESCRIPTION	DATE	DWN	APVD
	H7	PART OBSOLETE	29AUG2020	DV	PS

TEST FACILITY
INTERLOCKING FEATURE

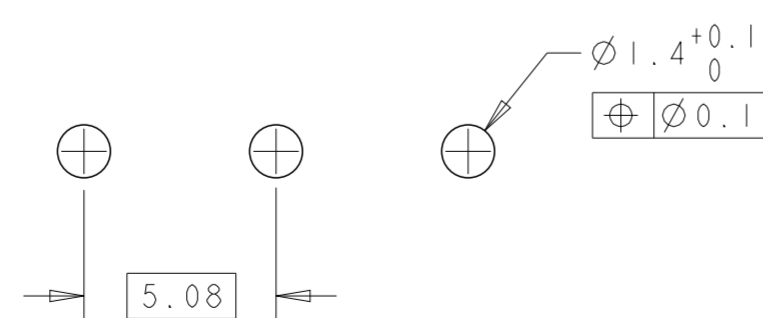


CLAMPING SCREW
0.50±0.05 TYP

282841-3 AS SHOWN
PRELIMINARY



2.54 REF
1.0±0.1 TYP
5.08±0.05 TYP



RECOMMENDED PC BOARD LAYOUT
SCALE 5:1

DETAIL B	DETAIL C		SEE SHEET 2	GREEN	15.24	3	4-282841-0
		-	-	GREEN	25.40	5	3-282841-9
		-	-	GREEN	20.32	4	3-282841-8
		STAINLESS STEEL	-	GREEN	40.64	8	3-282841-7
		STAINLESS STEEL	-	GREEN	20.32	4	3-282841-6
		STAINLESS STEEL	-	GREEN	15.24	3	3-282841-5
		STAINLESS STEEL	-	GREEN	10.16	2	3-282841-4
			SEE SHEET 2	GREEN	45.72	9	3-282841-3
			SEE SHEET 2	GREEN	66.04	13	3-282841-2
			SEE SHEET 2	GREEN	20.32	4	3-282841-1
			SEE SHEET 2	GREEN	60.96	12	3-282841-0
			-	BLACK	127.0	25	2-282841-9
			-	GREEN	127.0	25	2-282841-8
			-	GREEN	121.92	24	2-282841-7
			-	GREEN	116.84	23	2-282841-6
			-	GREEN	111.76	22	2-282841-5
			-	GREEN	106.68	21	2-282841-4
			-	GREEN	101.60	20	2-282841-3
			-	GREEN	96.52	19	2-282841-2
			-	GREEN	91.44	18	2-282841-1
			-	GREEN	86.36	17	2-282841-0
			-	GREEN	81.28	16	1-282841-9
			-	GREEN	76.20	15	1-282841-8
			-	GREEN	71.12	14	1-282841-7
			-	GREEN	66.04	13	1-282841-6
			SEE SHEET 2	GREEN	40.64	8	1-282841-5
			SEE SHEET 2	GREEN	35.56	7	1-282841-4
			-	BLACK	35.56	7	1-282841-3
			-	GREEN	60.96	12	1-282841-2
			-	GREEN	55.88	11	1-282841-1
			-	GREEN	50.80	10	1-282841-0
			-	GREEN	45.72	9	282841-9
			-	GREEN	40.64	8	282841-8
			-	GREEN	35.56	7	282841-7
			-	GREEN	30.48	6	282841-6
			-	GREEN	25.40	5	282841-5
			-	GREEN	20.32	4	282841-4
			-	GREEN	15.24	3	282841-3
			-	GREEN	10.16	2	282841-2
		CLAMPING SCREW	MARKING	COLOR	A	NO OF POSN	PART NUMBER

THIS DRAWING IS A CONTROLLED DOCUMENT.

DWN S. WELDON 26 JAN 2001
CHK D. BIEVENOUR 26 JAN 2001
APVD D. BIEVENOUR 26 JAN 2001

STE TE Connectivity

NAME: TERMINAL BLOCK
PCB MOUNT
W/INTERLOCK, 5.08mm PITCH

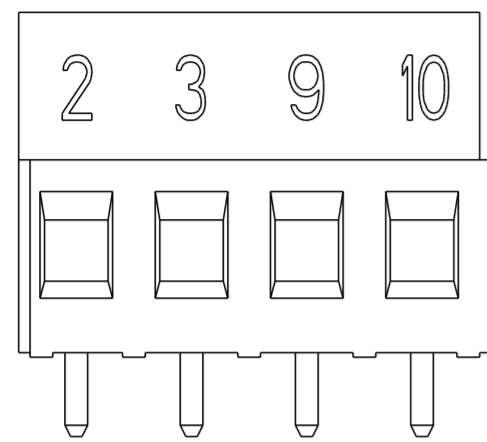
SIZE: A2 CAGE CODE: 00779 DRAWING NO: C-282841

MATERIAL: FINISH:

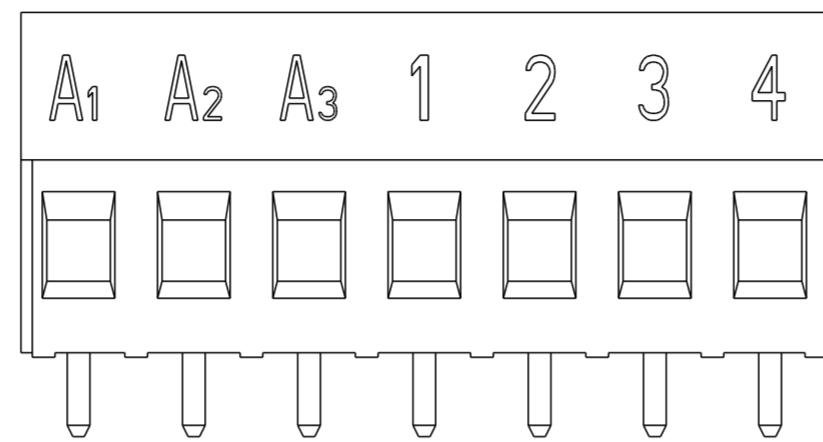
PRODUCT SPEC: -
APPLICATION SPEC: -
WEIGHT: -

CUSTOMER DRAWING SCALE: 5:1 SHEET 1 OF 2 REV H7

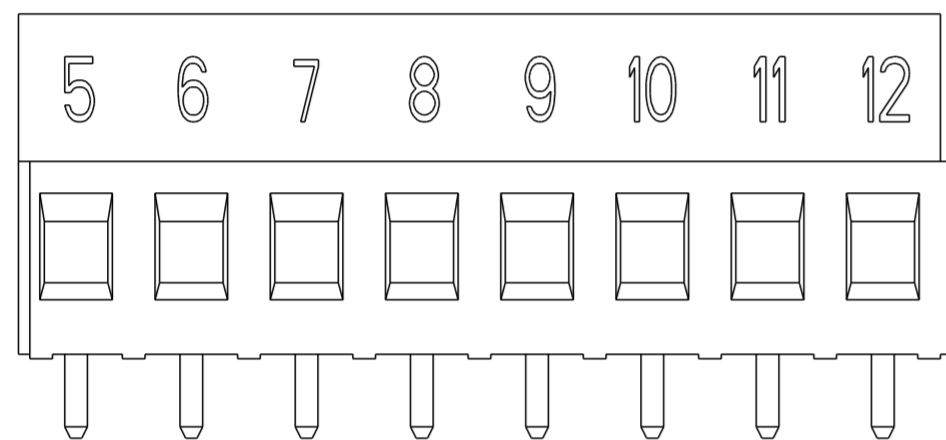
P	LTR	DESCRIPTION	DATE	DWN	APVD
-	-	SEE SHEET 1	-	-	-



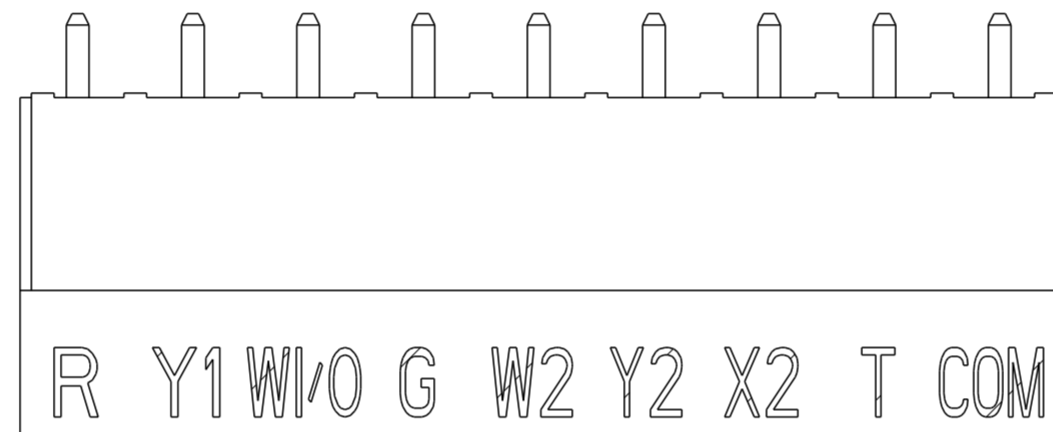
3-282841-1 AS SHOWN $\triangle 8$



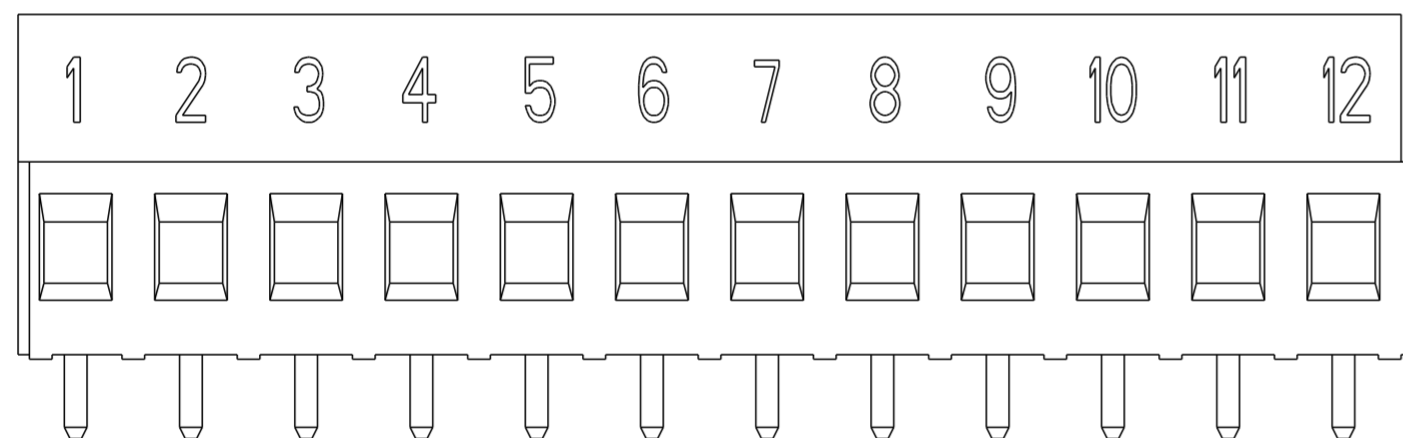
1-282841-4 AS SHOWN $\triangle 8$



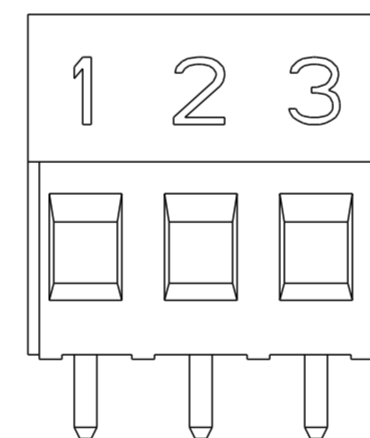
1-282841-5 AS SHOWN $\triangle 8$



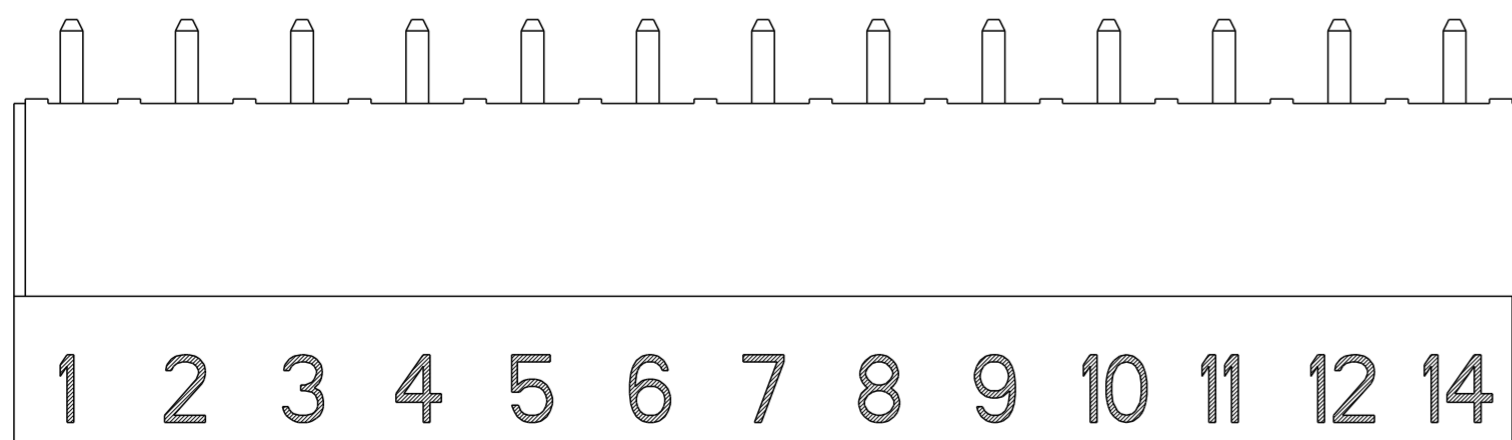
3-282841-3 AS SHOWN $\triangle 8$



3-282841-0 AS SHOWN $\triangle 8$



4-282841-0 AS SHOWN $\triangle 8$



3-282841-2 AS SHOWN $\triangle 8$

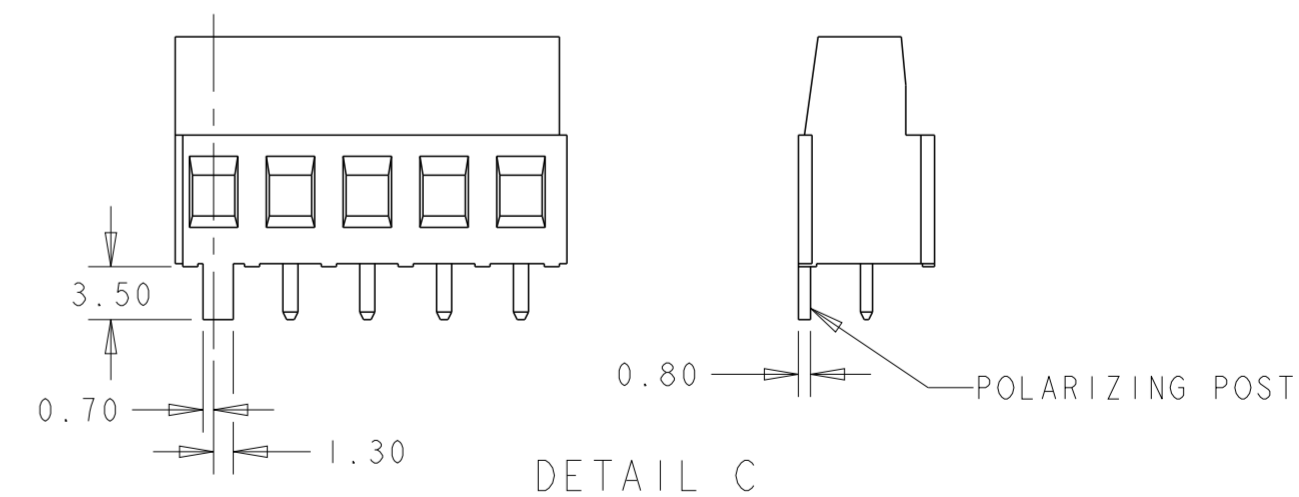
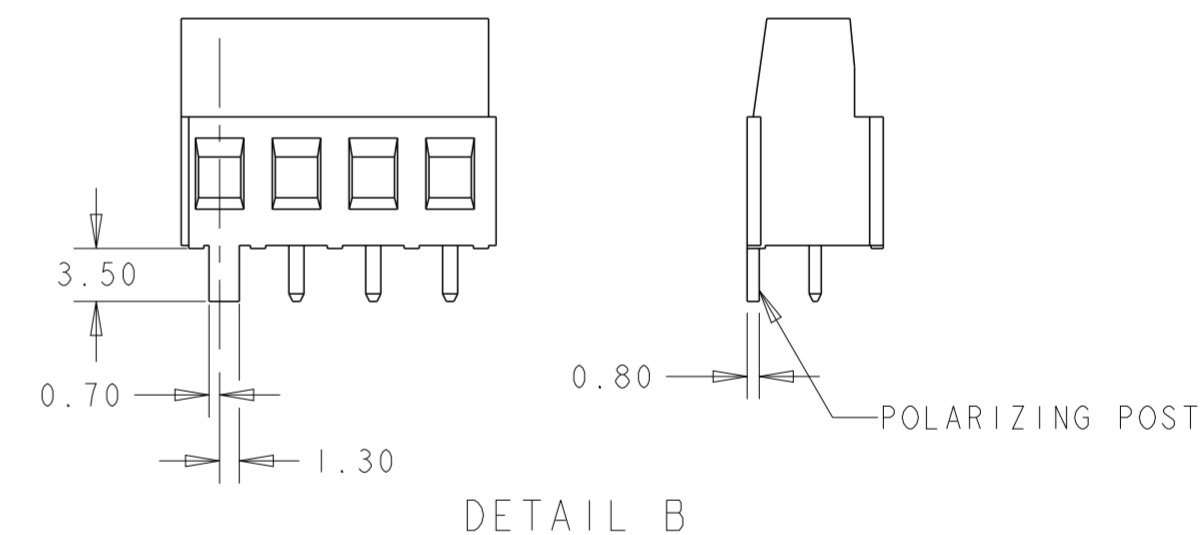
$\triangle 1$ MATERIALS AND FINISH:
 HOUSING: PA 6-6, UL 94-V0, COLOR: SEE TABLE.
 CLAMP: BRASS, NICKEL PLATED.
 TERMINAL: BRASS, TIN PLATED.
 CLAMPING SCREW: M3, BRASS, NICKEL PLATED.

- SUITABLE FOR 1,6-2,4mm. PCB THICKNESS.
- END-TO-END STACKABLE W/INTERLOCK WITHOUT LOSS OF CENTERLINE SPACING.
- WIRE SIZE RANGE: 12-30 AWG
- RECOGNIZED UNDER THE COMPONENT PROGRAM OF UNDERWRITERS LABORATORIES INC. FILE No E60677.
- IMQ CERTIFICATE WITH SURVEILLANCE IN CONFORMITY WITH IEC 998-1/998-2-1.

$\triangle 7$ NOT CUMULATIVE TOLERANCE.

$\triangle 8$ INK MARKING : BLACK COLOR.

- BUCHANAN LOGO TO APPEAR ON HOUSING, LOCATION OPTIONAL, WHERE SPACE PERMITS.



THIS DRAWING IS A CONTROLLED DOCUMENT.		DWN S. WELDON 26 JAN 2001	TE Connectivity	
DIMENSIONS: mm		CHK D. BIEVENOUR 26 JAN 2001		
TOLERANCES UNLESS OTHERWISE SPECIFIED: 0 PLC ± 0 1 PLC ± 0.3 2 PLC ± 0.25 3 PLC ± 0 4 PLC ± 0 ANGLES $\pm 2^\circ$ FINISH		APVD D. BIEVENOUR 26 JAN 2001	NAME TERMINAL BLOCK PCB MOUNT W/INTERLOCK, 5.08mm PITCH	
MATERIAL $\triangle 1$		PRODUCT SPEC -	SIZE A2	CAGE CODE 00779
		APPLICATION SPEC -	DRAWING NO C-282841	RESTRICTED TO
		WEIGHT -	SCALE 9:1 SHEET 2 OF 2 REV H7	
		CUSTOMER DRAWING		

X-ON Electronics

Largest Supplier of Electrical and Electronic Components

Click to view similar products for [Fixed Terminal Blocks](#) category:

Click to view products by [TE Connectivity](#) manufacturer:

Other Similar products are found below :

[MBE-1512](#) [MBE-154](#) [MBE-156](#) [MBES-153](#) [MBES-156](#) [MH-2512](#) [MHE-132](#) [MHE-163](#) [MI-254 \(35\)](#) [MI-272](#) [880507](#) [MPT-275](#)
[15602-04-08-21](#) [BA311TU](#) [BA411SU](#) [MV-152](#) [MV-252-D](#) [MV-253/NCNOC](#) [MV-254-D](#) [MV-255](#) [MV-462](#) [MV-493](#) [MVE-252](#) [MVE-253](#)
[MVE-273](#) [MVEB-153](#) [1700096](#) [1705142](#) [1712417](#) [1713020](#) [1713088](#) [1745195](#) [1760594](#) [1776118-2](#) [1790852](#) [1-796689-8](#) [1-796692-6](#)
[1800001](#) [1800114](#) [1995279](#) [20020314-C121B01LF](#) [20020316-G041B01LF](#) [CB2-12](#) [KP03215000J0G](#) [KP04215000J0G](#) [S451](#) [282802-2](#)
[29.007](#) [29.116](#) [30.103](#)