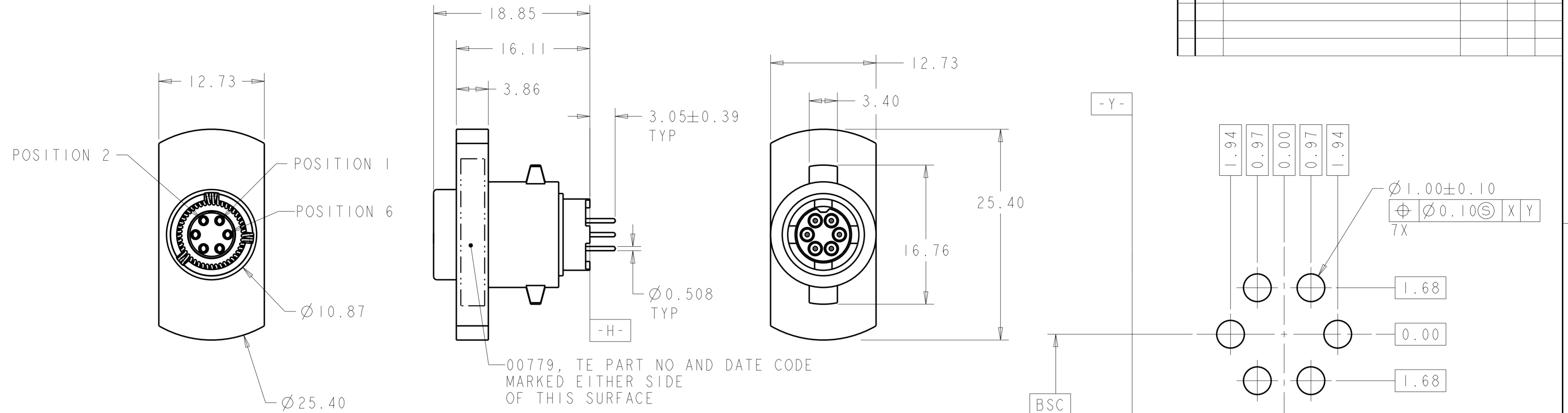
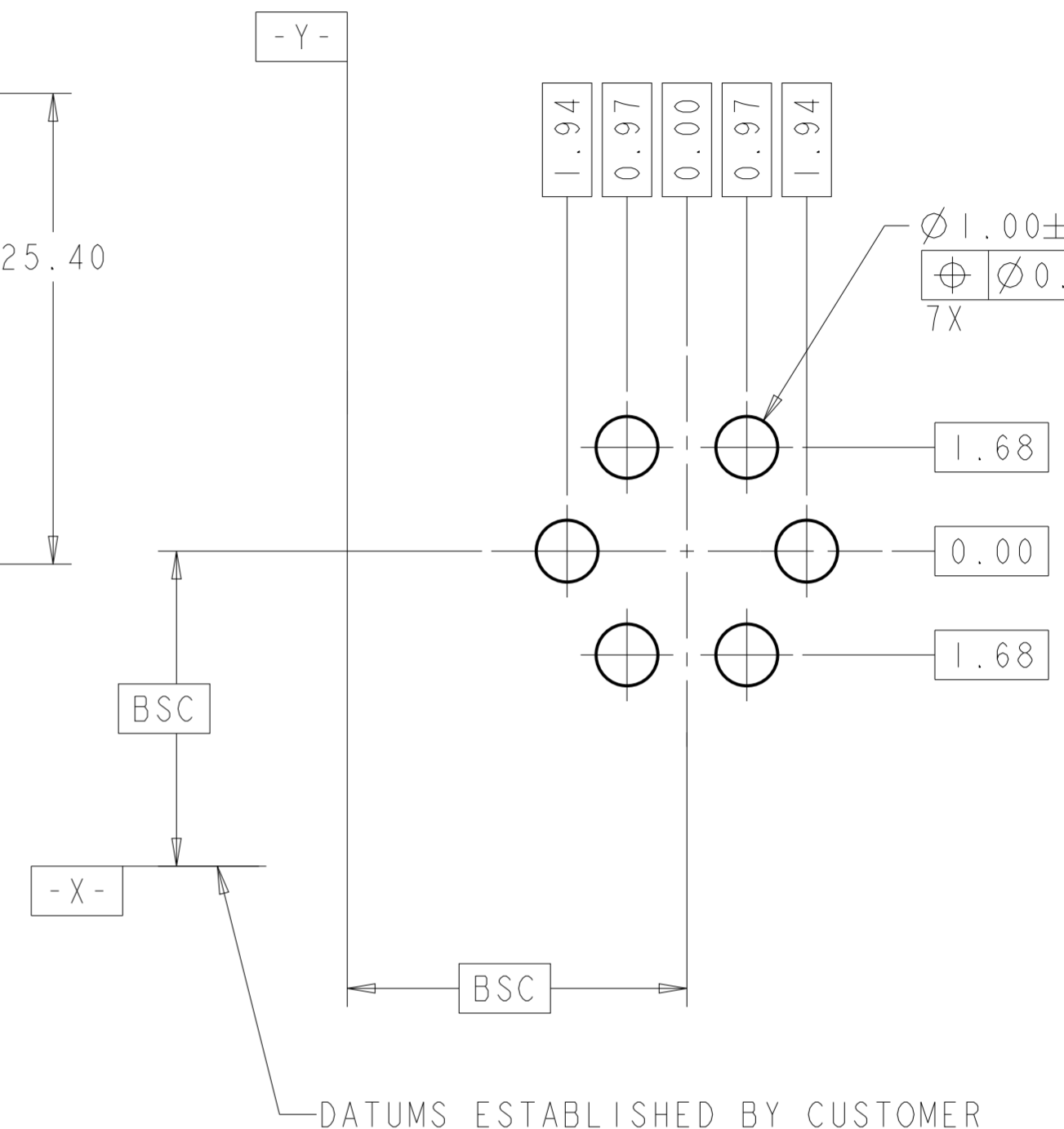


THIS DRAWING IS UNPUBLISHED. RELEASED FOR PUBLICATION 20
 © COPYRIGHT 20 BY - ALL RIGHTS RESERVED.

REVISIONS				
P	LTR	DESCRIPTION	DATE	APVD
D		REV PER ECO 21-000756	1-21-21	CT AW



**2828420-1
SHOWN**



RECOMMENDED PCB LAYOUT
FOR 6 POSITION
SCALE 10:1

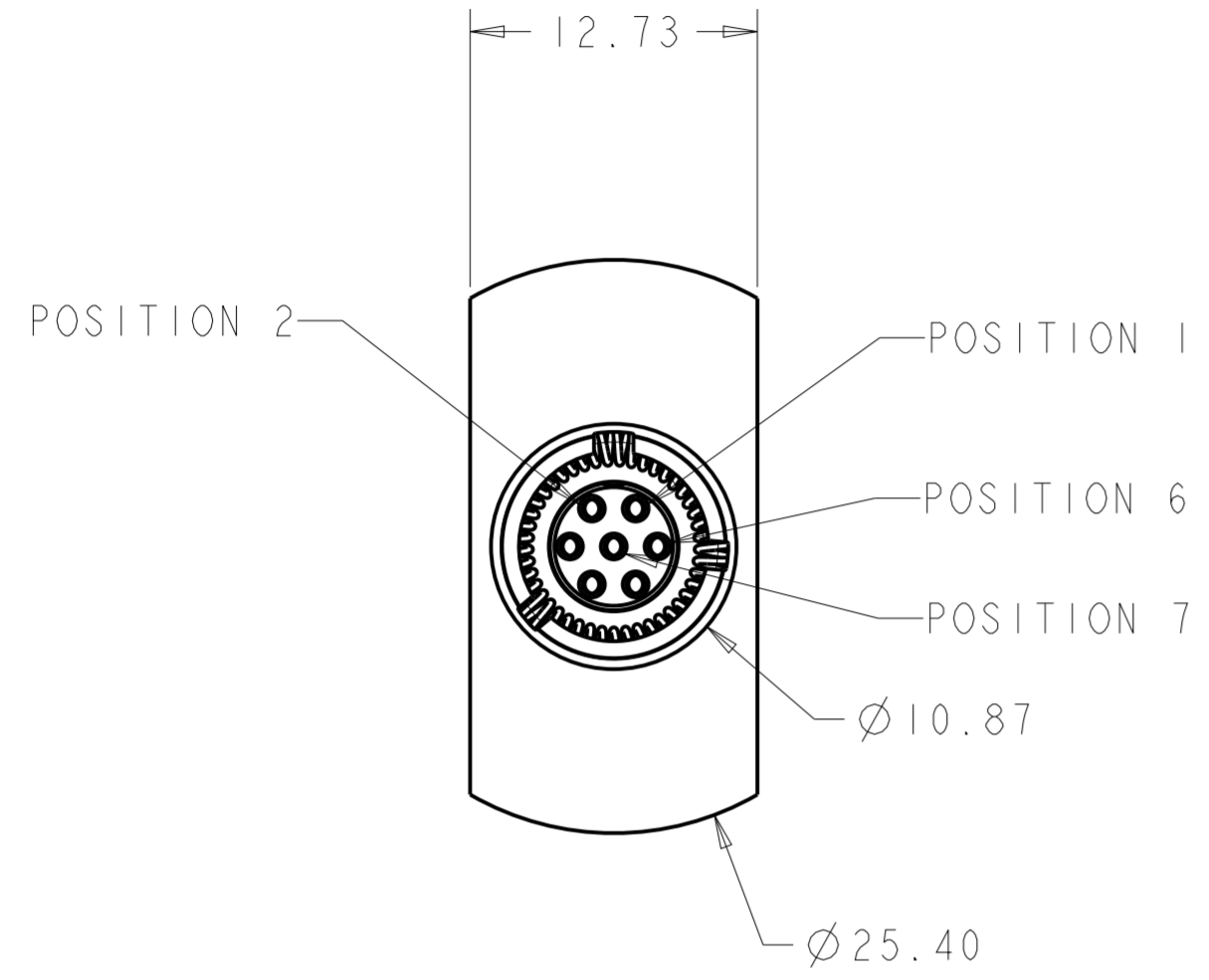
- TE MATING CONNECTOR PART NUMBER 2226910-1.
- ROHS COMPLIANT.
- MATERIALS/FINISH:
SHELL: AL ALLOY, BLACK ZINC NICKEL OVER ELECTROLESS NICKEL PLATE.
INSULATORS: LIQUID CRYSTAL POLYMER.
O-RING: FLUOROSILICONE.
CONTACTS: COPPER ALLOY / GOLD PLATE PER ASTM B 488, TYPE II, CODE C,
CLASS 1.25 (.00005 MIN THK), OVER A NICKEL UNDERPLATE.
DETENT SPRING: STAINLESS STEEL / GOLD PLATED.
SEALANT: RTV.
- CONNECTOR UNMATING FORCE TO BE 13±3 lbs.
- MARKINGS PER MIL-STD-202, METHOD 215.

7 POSITION	2828420-2
6 POSITION	2828420-1
DESCRIPTION	PART NO

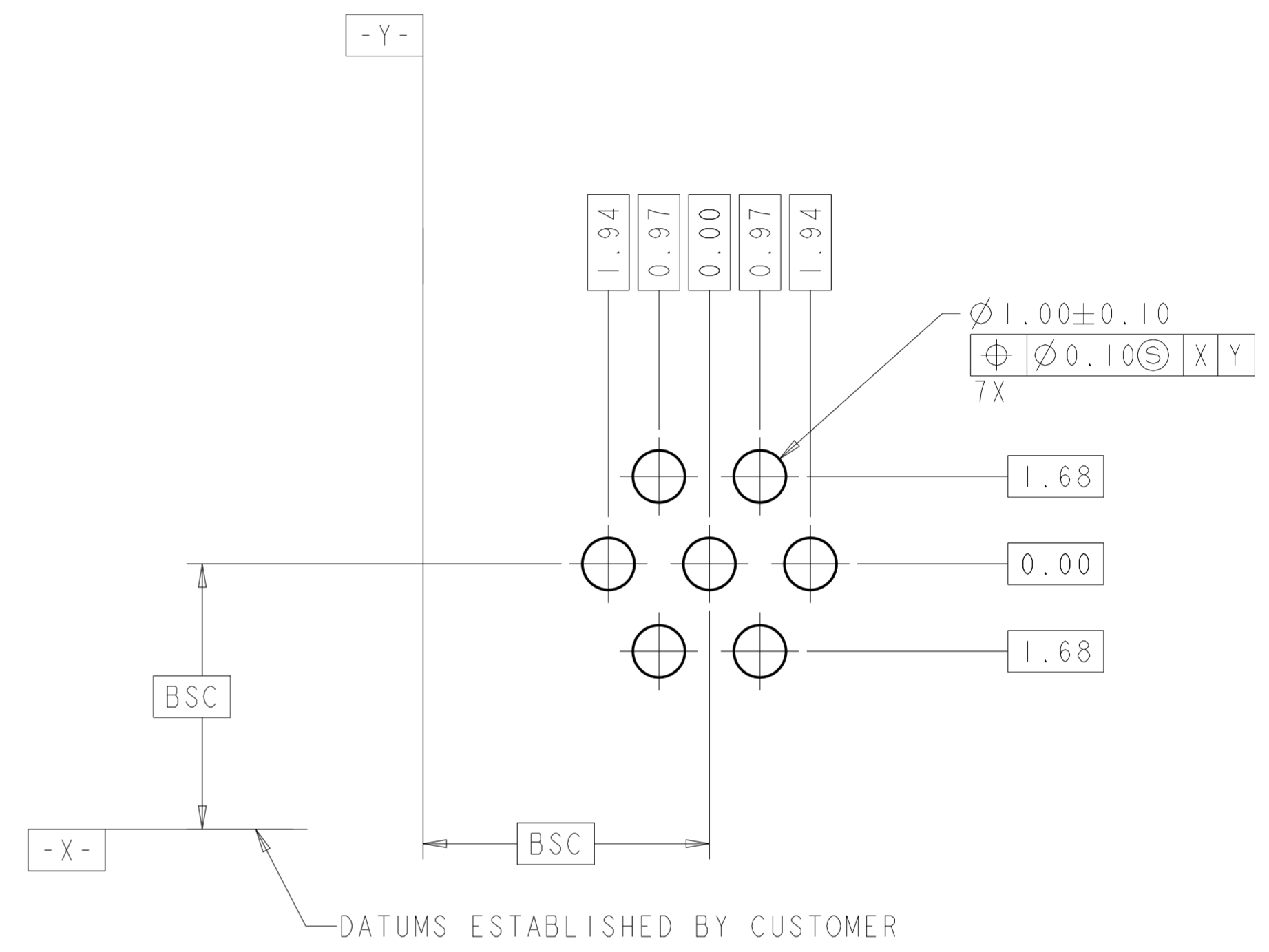
THIS DRAWING IS A CONTROLLED DOCUMENT.		DWN L.SIPE 04JUN2015	TE Connectivity	
DIMENSIONS: mm		CHK C.YI 04JUN2015		
TOLERANCES UNLESS OTHERWISE SPECIFIED:		APVD C.YI 17JUN2015	NAME RECEPTACLE CONNECTOR ASSEMBLY NETT WARRIOR	
0 PLC ±		PRODUCT SPEC	SIZE A2	
1 PLC ±		APPLICATION SPEC	CAGE CODE -	
2 PLC ±0.1		WEIGHT	DRAWING NO C-2828420	
3 PLC ±0.05		CUSTOMER DRAWING	RESTRICTED TO -	
4 PLC ±		SCALE 3:1	SHEET 1 OF 2	
ANGLES ±		REV D		
FINISH ±				

THIS DRAWING IS UNPUBLISHED. RELEASED FOR PUBLICATION 20
 © COPYRIGHT 20 BY - ALL RIGHTS RESERVED.

REVISIONS				
P	LTR	DESCRIPTION	DATE	APVD
-		SEE SHEET 1	-	-



**2828420-2
SHOWN**



RECOMMENDED PCB LAYOUT
FOR 7 POSITION
SCALE 10:1

THIS DRAWING IS A CONTROLLED DOCUMENT.		DWN L.SIPE 04JUN2015	STE TE Connectivity	
DIMENSIONS: mm		CHK C.YI 04JUN2015		
TOLERANCES UNLESS OTHERWISE SPECIFIED:		APVD C.YI 17JUN2015	NAME RECEPTACLE CONNECTOR ASSEMBLY NETT WARRIOR	
0 PLC \pm		PRODUCT SPEC	SIZE A2	
1 PLC \pm		APPLICATION SPEC	CAGE CODE -	
2 PLC ± 0.1		WEIGHT	DRAWING NO. C-2828420	
3 PLC ± 0.05		CUSTOMER DRAWING	RESTRICTED TO -	
4 PLC \pm		SCALE 3:1	SHEET 2 OF 2	
ANGLES \pm			REV D	
FINISH				

X-ON Electronics

Largest Supplier of Electrical and Electronic Components

Click to view similar products for [Circular MIL Spec Connector](#) category:

Click to view products by [TE Connectivity](#) manufacturer:

Other Similar products are found below :

[0025-262-542](#) [0025-264-3014](#) [58-570121-04S](#) [0134-202-1200](#) [0134-207-1206](#) [0134-207-1800](#) [0134-207-2207](#) [0134-213-0806](#) [0134-213-1007](#) [0134-213-1009](#) [0134-213-1208](#) [0134-213-1800](#) [0134-213-2209](#) [0025-258-000](#) [015-9516-002](#) [60-042722-19P](#) [0114-201-1278](#) [602GB06EG24-61SN](#) [0134-201-1207](#) [0134-201-1806](#) [0134-201-2006](#) [0134-201-2007](#) [0134-201-2010](#) [0134-202-1400](#) [0134-207-0809](#) [0134-207-1208](#) [0134-207-2009](#) [0134-213-1006](#) [6104-207-2302](#) [6104-208-1902](#) [6104-215-0902](#) [6131-202-19149P](#) [6131-204-21149P](#) [6131-207-13149P](#) [6131-208-13149P](#) [6131-209-17149P](#) [6131-210-11149P](#) [6131-211-19149P](#) [6131-216-19149P](#) [6131-220-25149P](#) [6131-259-11149P](#) [6131-259-21149P](#) [6131-259-23149P](#) [6131-263-19149P](#) [6131-265-17149P](#) [6131-265-19149P](#) [CS3102A-20-15P](#) [CS3102C18-4P-472](#) [CS3106A-10SL-53S](#) [CS3106A-10SL-64S](#)