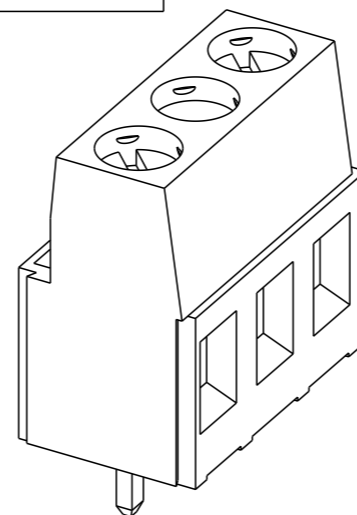
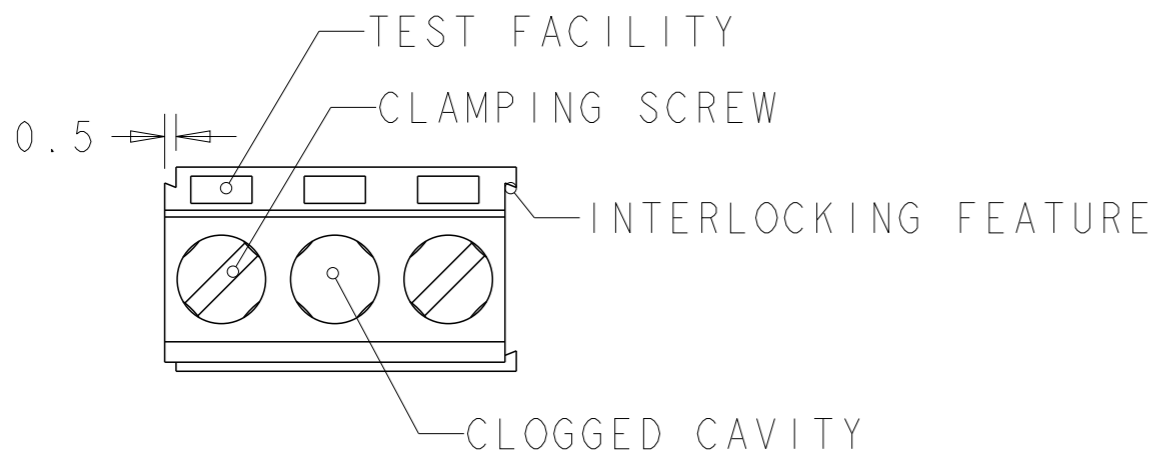


REVISIONS

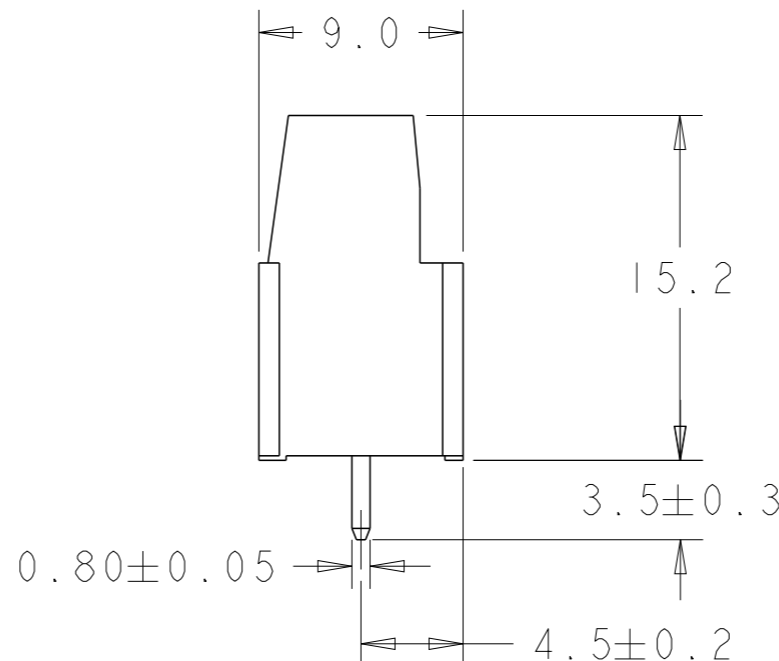
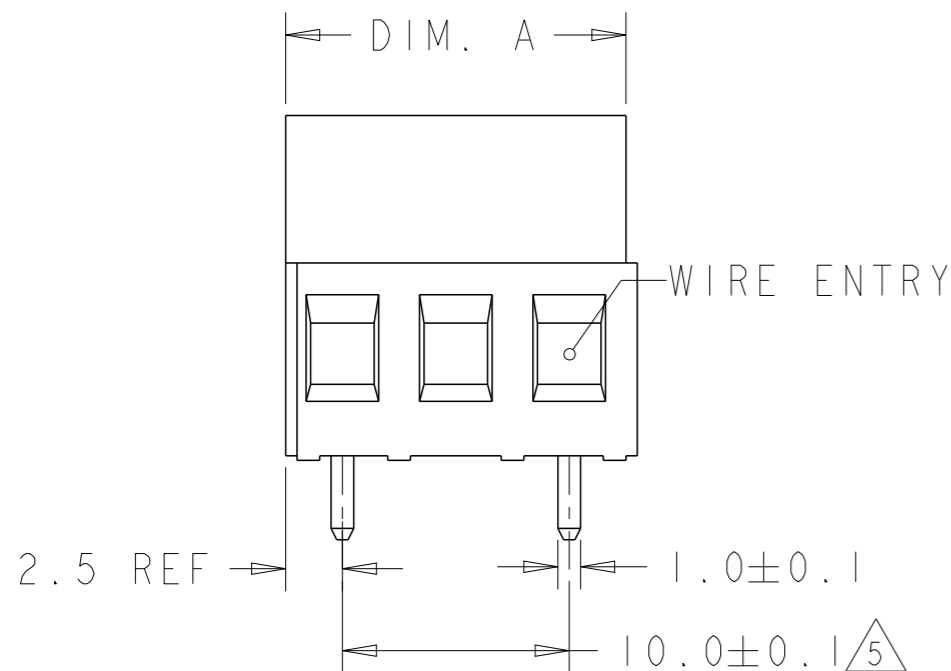
P	LTR	DESCRIPTION	DATE	DWN	APVD
	D1	WIRE SIZE CORRECTED	31OCT2018	RK	PS



282842-2 AS SHOWN

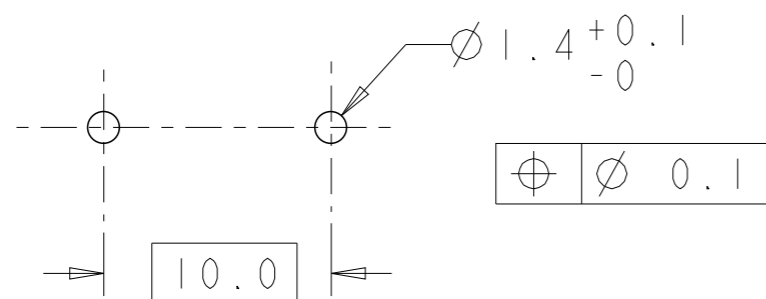
- MATERIALS AND FINISH**  
 HOUSING: PA 6-6, UL 94-V0, COLOR GREEN.  
 CLAMP: BRASS, NICKEL PLATED.  
 TERMINAL: BRASS, TIN PLATED.  
 CLAMPING SCREW: M3, BRASS, NICKEL PLATED.
- MECHANICAL**  
 MIN. PC BOARD HOLES DIAMETER : 1.4 mm  
 MAX. PC BOARD THICKNESS : 2.4 mm  
 RECOMMENDED TIGHTENING TORQUE FOR SCREW : 0.5 Nm.
- ELECTRICAL**  
 WIRE RANGE : 12-30 AWG  
 MAX. VOLTAGE : 600 V  
 MAX CURRENT : 17.5 A  
 CONTACT RESISTANCE : <15 m Ohm  
 INSULATION RESISTANCE : >1000 M Ohm (500V DC)
- OPERATING TEMPERATURE RANGE: -40°C TO +105°C**


5 NOT CUMULATIVE TOLERANCE.



OBSOLETE	90.0	13	<del>1-282482-3</del>
	85.0	12	<del>1-282842-2</del>
	80.0	11	<del>1-282842-1</del>
	75.0	10	<del>1-282842-0</del>
	70.0	9	<del>282842-9</del>
	65.0	8	<del>282842-8</del>
	60.0	7	<del>282842-7</del>
	55.0	6	<del>282842-6</del>
	45.0	5	<del>282842-5</del>
	35.0	4	<del>282842-4</del>
25.0	3	<del>282842-3</del>	
15.0	2	<del>282842-2</del>	
<b>DIM. A</b>		<b>NO OF POS.</b>	<b>PART NUMBER</b>

RECOMMENDED PC BOARD LAYOUT



THIS DRAWING IS A CONTROLLED DOCUMENT.		DWN 04SEP2001 E. ZANOLINI	 TE Connectivity	
DIMENSIONS: mm		CHK 04SEP2001 D. BIEVENOUR		
TOLERANCES UNLESS OTHERWISE SPECIFIED:		APVD 04SEP2001 D. BIEVENOUR	NAME TERMINAL BLOCK, PCB MOUNT SIDE ENTRY WIRE 10.00mm PITCH	
0 PLC ± 1 PLC ±.3 2 PLC ±.25 3 PLC ± 4 PLC ±		PRODUCT SPEC 108-20166	SIZE A3	
ANGLES ±2°		APPLICATION SPEC 114-20079	CAGE CODE 00779	DRAWING NO C-282842
MATERIAL SEE NOTES		FINISH SEE NOTES	RESTRICTED TO -	
		WEIGHT -	SCALE 3:1	
		CUSTOMER DRAWING		SHEET 1 OF 1
				REV D1

## X-ON Electronics

Largest Supplier of Electrical and Electronic Components

*Click to view similar products for [Fixed Terminal Blocks](#) category:*

*Click to view products by [TE Connectivity](#) manufacturer:*

Other Similar products are found below :

[MBE-1512](#) [MBE-154](#) [MBE-156](#) [MBES-153](#) [MBES-156](#) [MH-2512](#) [MHE-132](#) [MHE-163](#) [MI-254 \(35\)](#) [MI-272](#) [880507](#) [MPT-275](#)  
[15602-04-08-21](#) [ELM023100](#) [BA311TU](#) [BA411SU](#) [MV-152](#) [MV-252-D](#) [MV-253/NCNOC](#) [MV-254-D](#) [MV-255](#) [MV-462](#) [MV-493](#) [MVE-](#)  
[253](#) [MVE-273](#) [MVEB-153](#) [1700096](#) [1705142](#) [1712417](#) [1713020](#) [1713088](#) [1745195](#) [1760594](#) [1776118-2](#) [1790852](#) [1-796689-8](#) [1-796692-6](#)  
[1800001](#) [1800114](#) [1995279](#) [20020314-C121B01LF](#) [CB2-12](#) [KP03215000J0G](#) [KP04215000J0G](#) [S451](#) [282802-2](#) [29.007](#) [29.116](#) [30.103](#)  
[30.106](#)