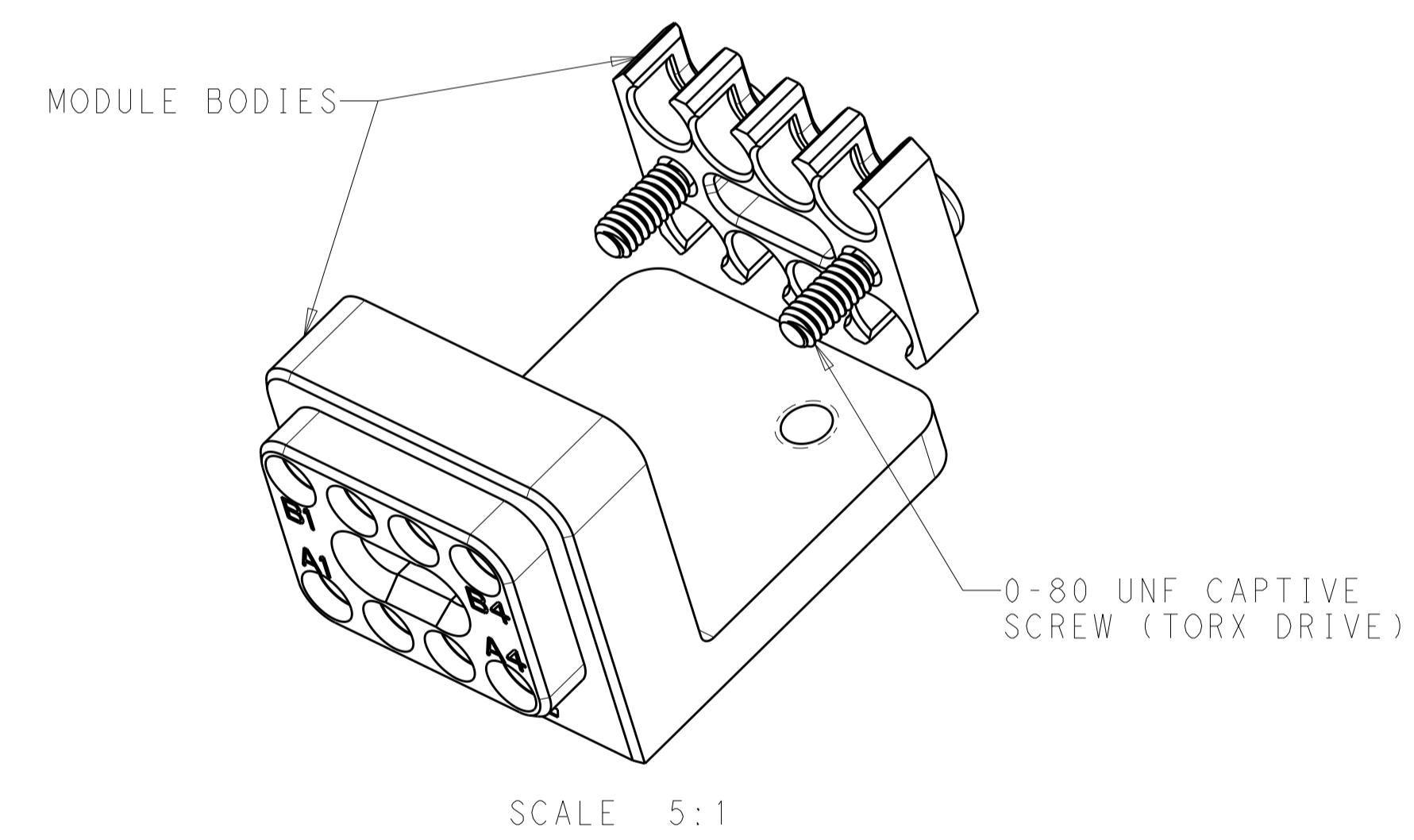
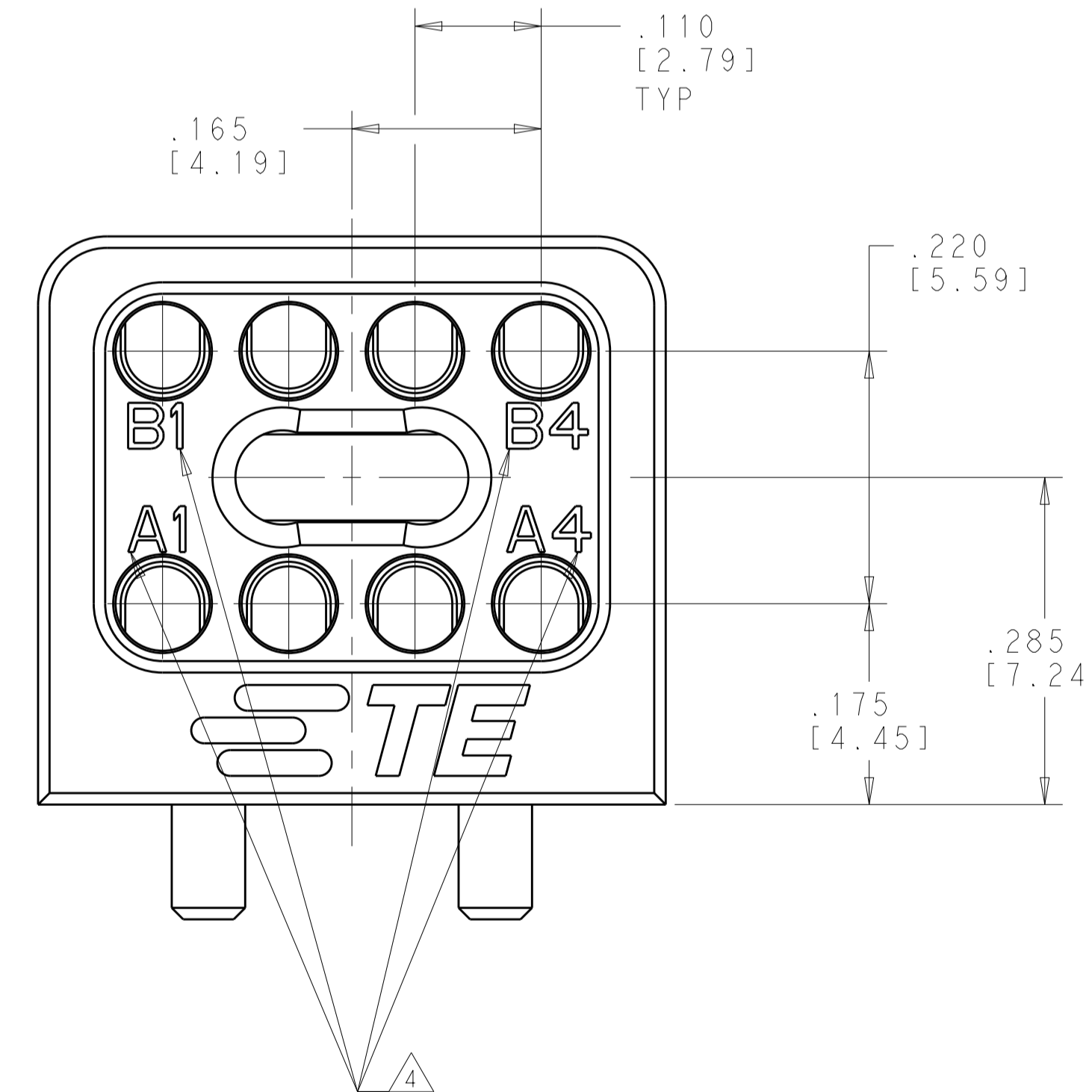
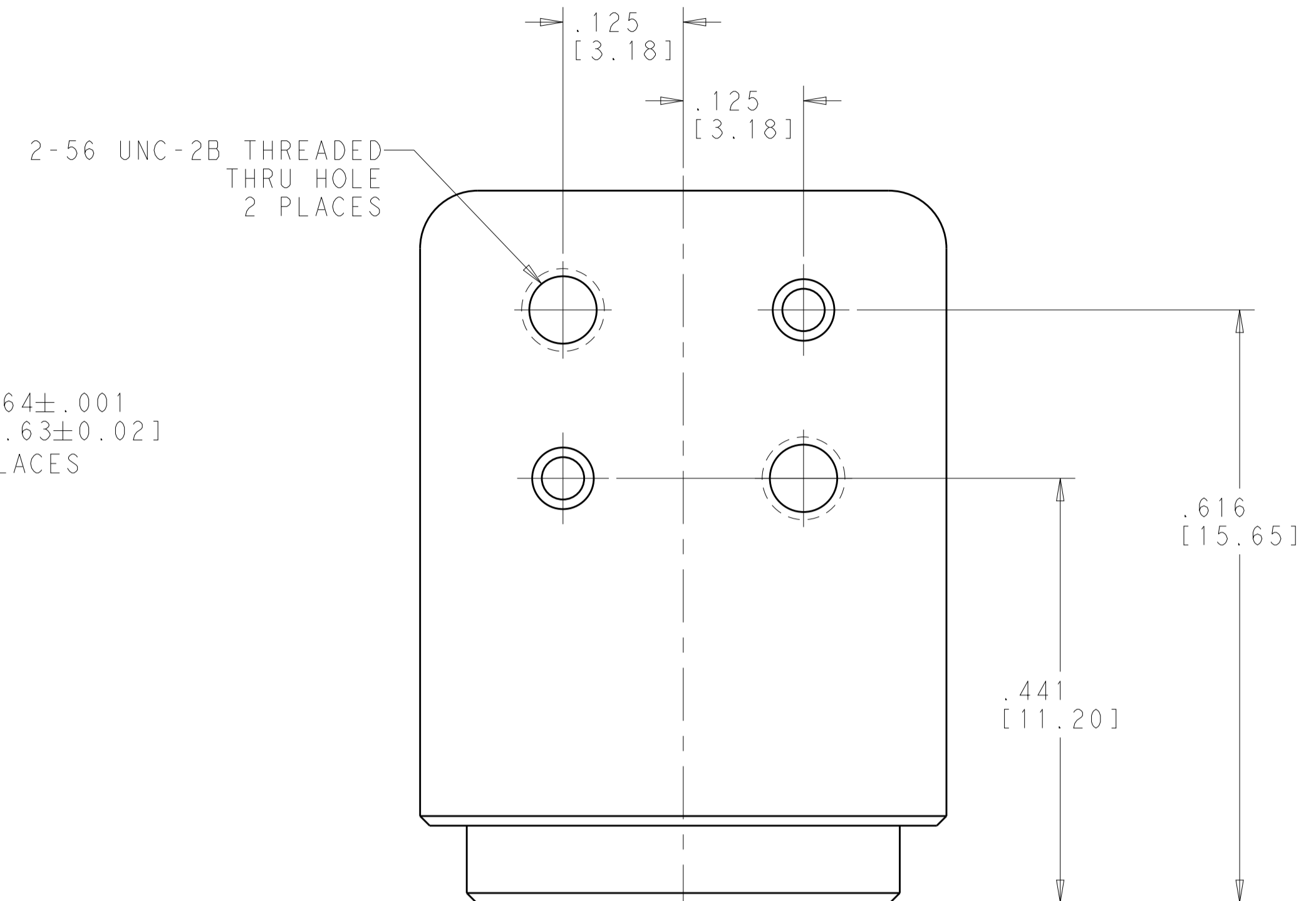
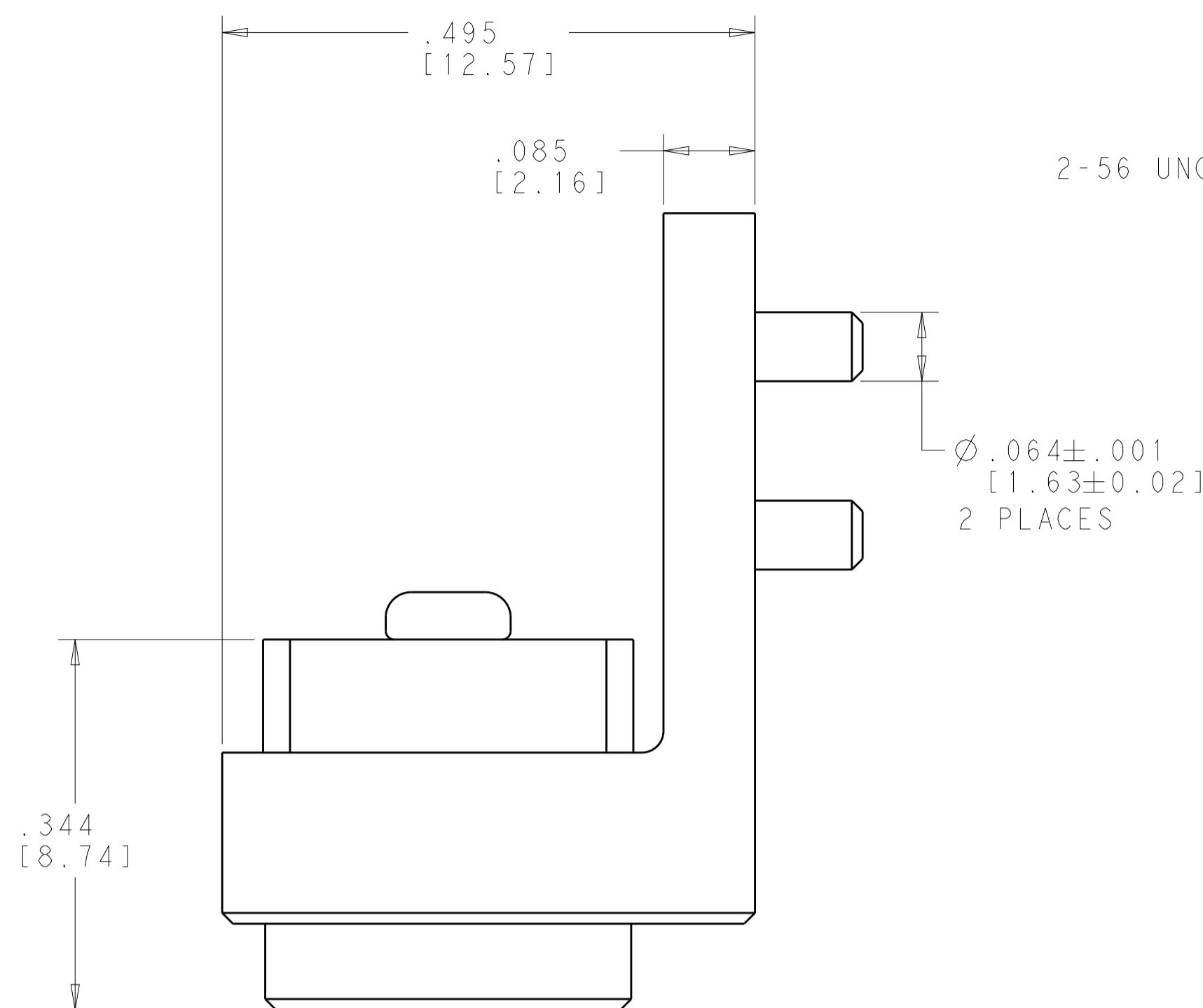
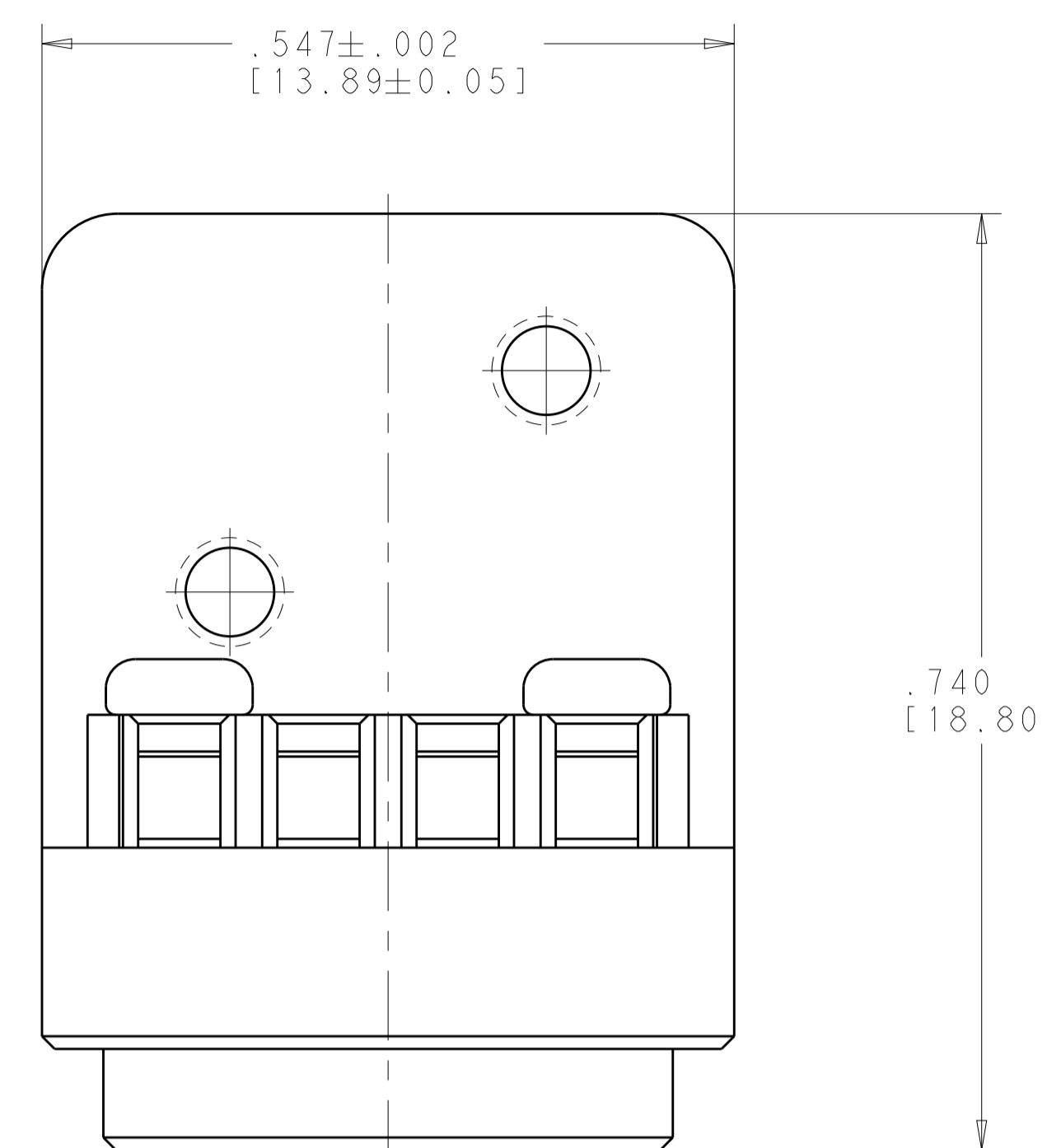


REVISIONS				
P.	LTM	DESCRIPTION	DATE	OWN APVD
B		RELEASED PER ECO 19-005475	4-9-19	CT FB

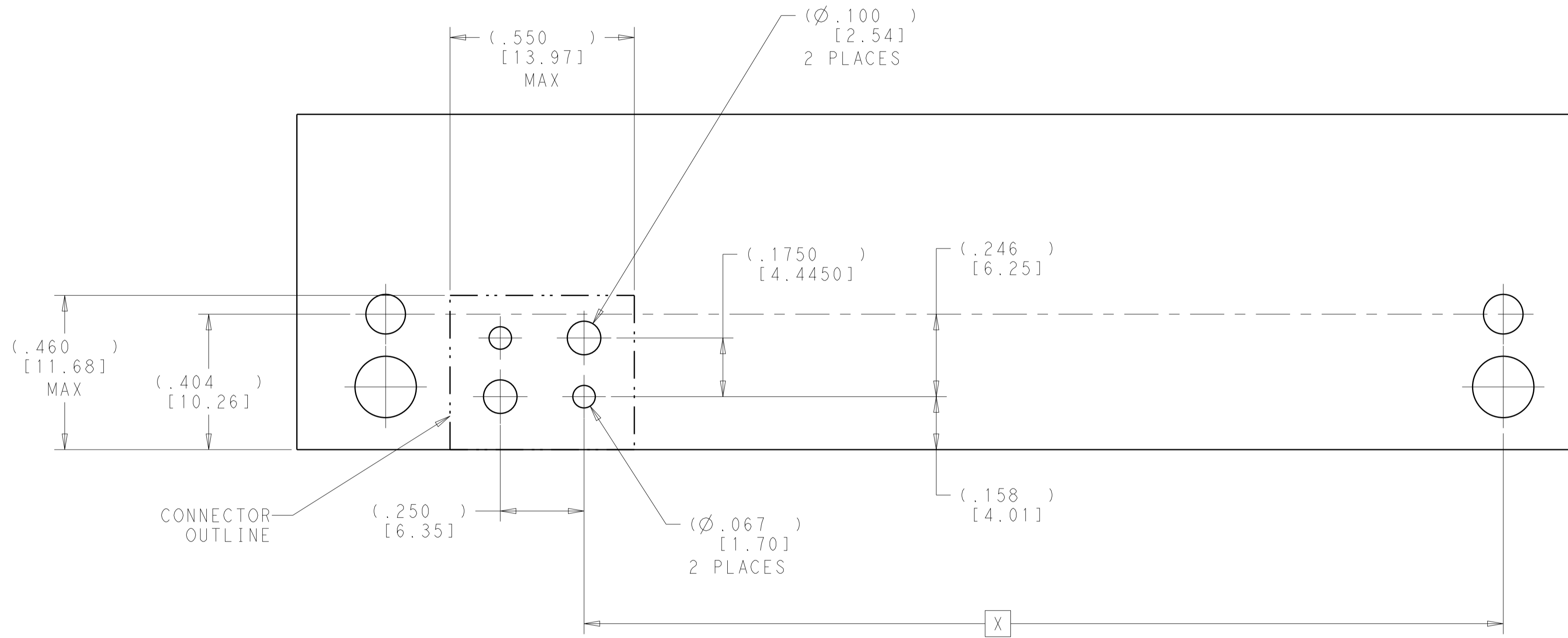


- 1 MATERIAL:
MODULE BODIES - SEE TABLE
SCREWS - 300 SERIES STAINLESS STEEL
- 2 FINISH:
MODULE BODIES - SEE TABLE
SCREWS - PASSIVATED
- 3. SHIPPED IN KIT FORM.
- 4 CIRCUIT IDENTIFICATION MARKING

CLEAR CHROMATE CONVERSION COATING	ALUMINUM ALLOY 7075	2828431-2
PASSIVATED	STAINLESS STEEL PER UNS S30300	2828431-1
MODULE FINISH 2	MODULE MATERIAL 1	PART NUMBER

THIS DRAWING IS A CONTROLLED DOCUMENT.		OWN: R. MILLER 23APR2015	TE Connectivity
DIMENSIONS: INCHES/mm		CHK: C. YI 14AUG2015	
TOLERANCES UNLESS OTHERWISE SPECIFIED:		APVD: K. DOWNHOWER 11APR2018	NAME: 8 POSITION NanoRF MODULE P.C.B. MOUNT - DAUGHTERCARD VITA
0 PLC ± 2 PLC ± 3 PLC ±.005(0.13) 4 PLC ± ANGLES ±		PRODUCT SPEC: 108-163006 APPLICATION SPEC: 408-163016	
MATERIAL: 1	FINISH: 2	WEIGHT: -	SIZE: A 00779 C=2828431 CUSTOMER DRAWING
SCALE: 8:1			SHEET 1 OF 2 REV B

REVISIONS				
P.	LTN	DESCRIPTION	DATE	APVD
-	-	SEE SHEET 1	-	-



DESIGNED FOR VITA 67.1 PCB LAYOUT
(VIEW FROM TOP SIDE)

P2A	2.187[55.55]
P2B	2.743[69.67]
P3A	3.875[98.42]
P3B	4.431[112.54]
P4A	5.009[127.22]
P4B	5.565[141.34]
P5A	6.142[156.02]
P5B	6.698[170.14]
P6A	7.276[184.82]
P6B	7.832[198.94]
POSITION	DIM "X"

THIS DRAWING IS A CONTROLLED DOCUMENT.		DWN M. MILLER 23APR2015	TE Connectivity
DIMENSIONS: INCHES/mm		CHK C. YI 14AUG2015	
TOLERANCES UNLESS OTHERWISE SPECIFIED: 0 PLC ±. 1 PLC ±. 2 PLC ±. 3 PLC ±.005[0.13] 4 PLC ±. ANGLES ±. FINISH		APVD K. DOWNHOWER 11APR2018	NAME 8 POSITION NanoRF MODULE P.C.B. MOUNT - DAUGHTERCARD VITA
MATERIAL		PRODUCT SPEC 108-163006	RESTRICTED TO
CUSTOMER DRAWING		APPLICATION SPEC 408-163016	SIZE CAGE CODE DRAWING NO A 00779 C=2828431
SCALE 5:1		WEIGHT	SHEET 2 OF 2
REV B		DATE	REV B

X-ON Electronics

Largest Supplier of Electrical and Electronic Components

Click to view similar products for [RF Connector Accessories](#) category:

Click to view products by [TE Connectivity](#) manufacturer:

Other Similar products are found below :

[89674-0712](#) [F702RX24](#) [FERRULE-174](#) [R141802000](#) [R141805000](#) [R141842000](#) [R161862000](#) [R161862000W](#) [R280752000](#) [R280907000](#)
[R694261906](#) [RFI21-13](#) [RFI75-13-D2](#) [RFI75-4-D2](#) [AX102906](#) [AX102907](#) [18097-0013](#) [HP-375](#) [HP-500](#) [2098-0294-00](#) [2098-3251-94](#) [KA-](#)
[81-05](#) [89674-0805](#) [F1](#) [FERRULE-223](#) [202102-11](#) [213337-1](#) [220222-2](#) [24092671A](#) [24092678A](#) [R161841000](#) [R280468000](#) [R280510000](#)
[R282862060](#) [RFI155-1](#) [RFI25-12-D3](#) [RFI25-5](#) [RFI25-5-D3](#) [RFI75-12-D2](#) [RFI75-2-D2](#) [RFI75-4-D3](#) [RFI77-6](#) [360HS001M2508M6](#) [4-](#)
[1532137-4](#) [5-21085-0](#) [105274-1000](#) [111062-0490](#) [112122-SOD-LUG](#) [112-NUT-KNURL](#) [IPP-2014](#)