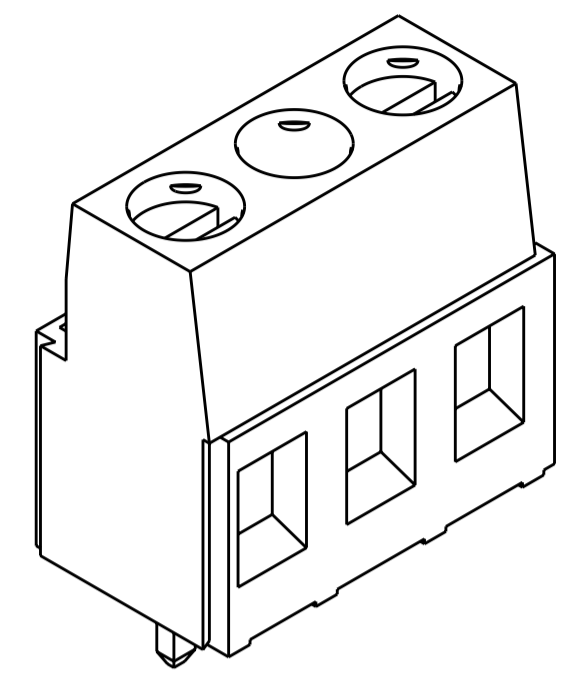
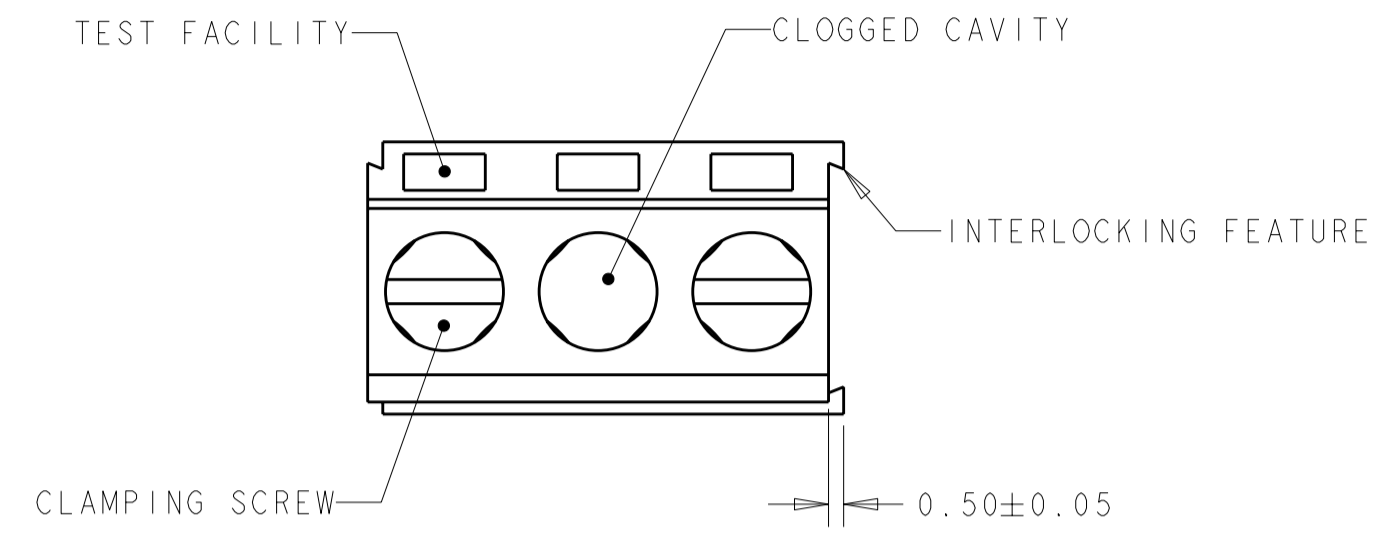


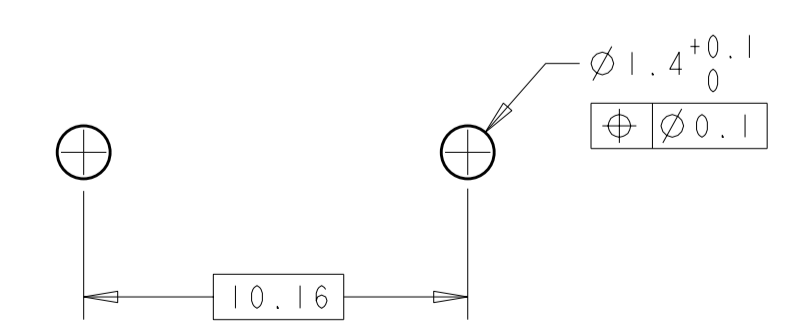
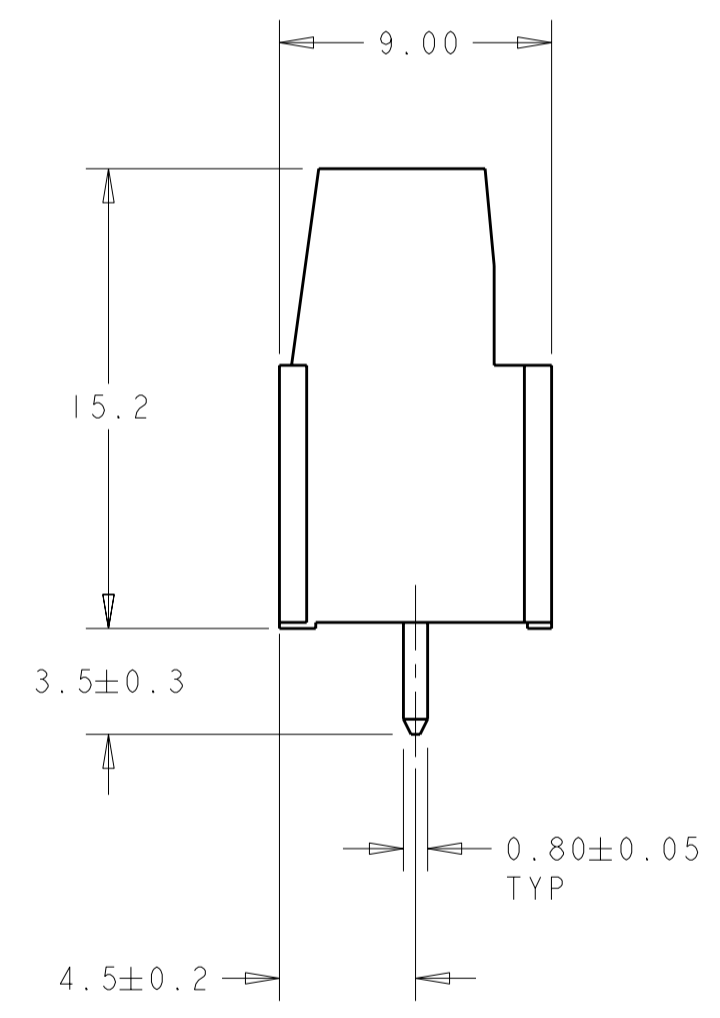
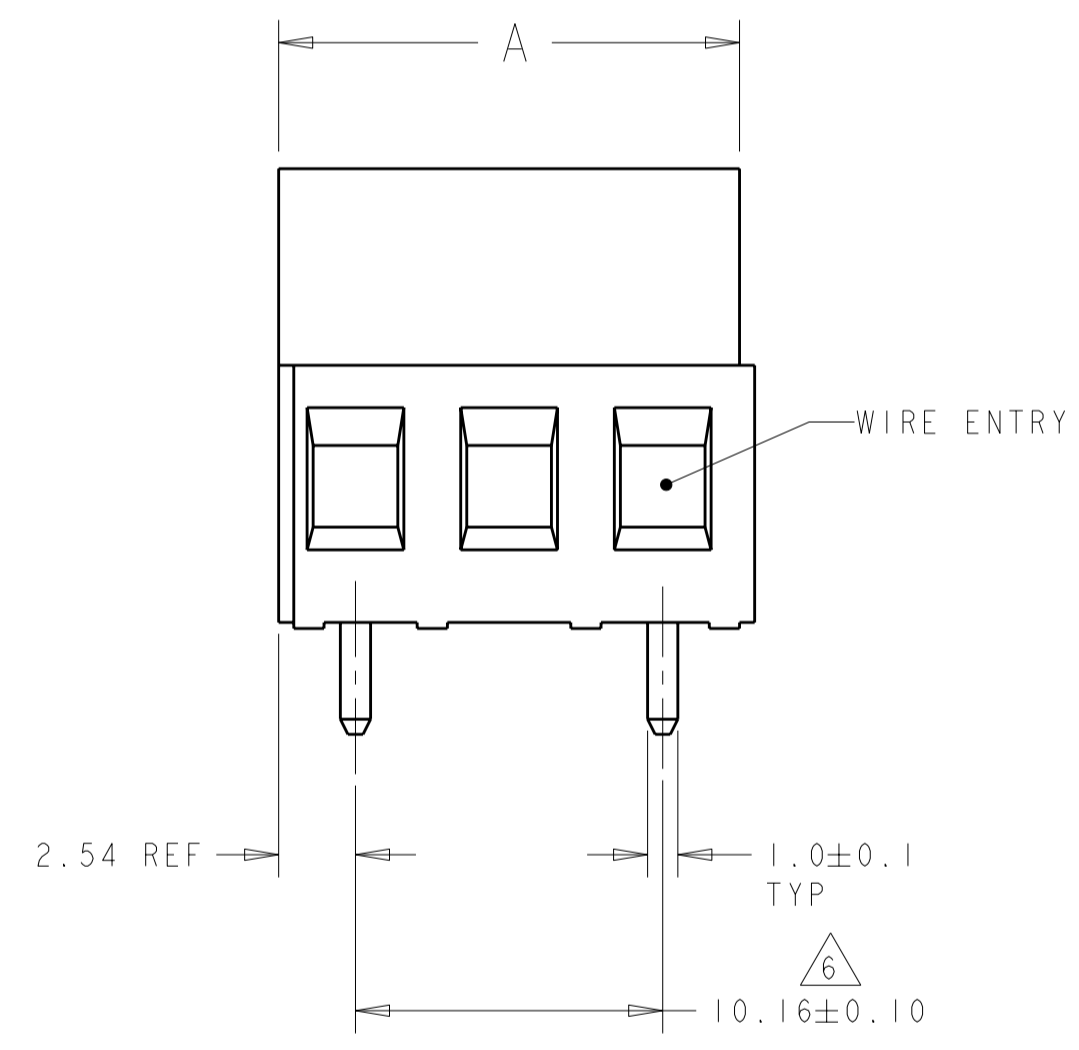
THIS DRAWING IS UNPUBLISHED. RELEASED FOR PUBLICATION 20
 © COPYRIGHT 20 ALL RIGHTS RESERVED.

LOC		DIST		REVISIONS			
P	LTR	DESCRIPTION	DATE	DWN	APVD		
FT	0	EI	REVISED PER ECO-11-005294	06APR2011	RK	HMR	



282843-2 AS SHOWN

- 1. MATERIALS AND FINISH:
 HOUSING: PA 6-6, UL 94-V0, COLOR: GREEN.
 CLAMP: BRASS, NICKEL PLATED.
 TERMINAL: BRASS, TIN PLATED.
 CLAMPING SCREW: M3, BRASS, NICKEL PLATED.
- 2. SUITABLE FOR 1,6-2,4mm. PCB THICKNESS.
- 3. WIRE SIZE RANGE
 SOLID WIRE: 0,03-2,5mm² (13AWG)
 STRANDED WIRE: 0,03-1,5mm² (15AWG)
- 4. RECOGNIZED UNDER THE COMPONENT PROGRAM OF UNDERWRITERS LABORATORIES INC. FILE No E60677.
- 5. IMO CERTIFICATE WITH SURVEILLANCE IN CONFORMITY WITH IEC 998-1/998-2-1.
- 6. NOT CUMULATIVE TOLERANCE.
- 7. INK MARKING: COLOR BLACK.



RECOMMENDED PC BOARD LAYOUT
 SCALE 5:1

SEE DETAIL L	15.24	3	1-282843-4
-	127.00	13	1-282843-3
-	116.84	12	1-282843-2
-	106.68	11	1-282843-1
-	96.52	10	1-282843-0
-	86.36	9	282843-9
-	76.20	8	282843-8
-	66.04	7	282843-7
-	55.88	6	282843-6
-	45.72	5	282843-5
-	35.56	4	282843-4
-	25.40	3	282843-3
-	15.24	2	282843-2
MARKING	A	POSN	PART NUMBER

THIS DRAWING IS A CONTROLLED DOCUMENT.		DWN E.ZANOLINI 05SEP2001	STE TE Connectivity	
		CHK D.BIEVENOUR 05SEP2001		
		APVD D.BIEVENOUR 05SEP2001	NAME	
DIMENSIONS: mm		PRODUCT SPEC	TERMINAL BLOCK, PCB MOUNT, SIDE WIRE ENTRY, STACKING W/INTERLOCK, 10.16mm PITCH	
TOLERANCES UNLESS OTHERWISE SPECIFIED:		APPLICATION SPEC	SIZE	RESTRICTED TO
0 PLC ±0	1 PLC ±.3	-	A2	-
2 PLC ±.25	3 PLC ±0	-	CAGE CODE	DRAWING NO
4 PLC ±0	ANGLES ±2°	WEIGHT	A200779	C-282843
FINISH		CUSTOMER DRAWING	SCALE 4:1	SHEET 1 OF 2 REV E1

4

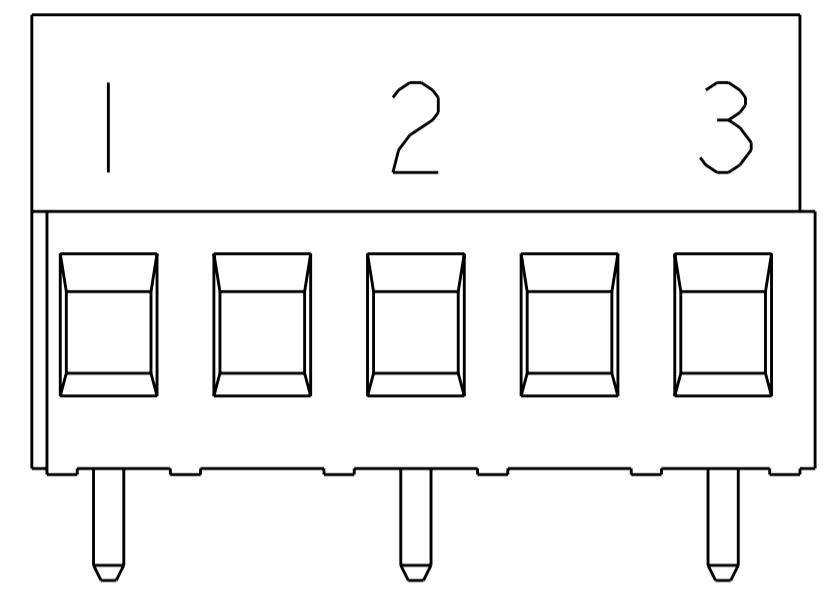
3

2


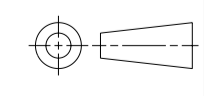
1

THIS DRAWING IS UNPUBLISHED. RELEASED FOR PUBLICATION 20
 © COPYRIGHT 20 ALL RIGHTS RESERVED.

LOC	DIST	REVISIONS			
P	LTR	DESCRIPTION	DATE	DWN	APVD
FT	0	-	SEE SHEET 1	-	-



△ 7 DETAIL L

THIS DRAWING IS A CONTROLLED DOCUMENT.		DWN E. ZANOLINI	05SEP2001	 TE Connectivity
DIMENSIONS:		CHK D. BIEVENOUR	05SEP2001	
mm		APVD D. BIEVENOUR	05SEP2001	
		PRODUCT SPEC	-	
TOLERANCES UNLESS OTHERWISE SPECIFIED:		APPLICATION SPEC	-	NAME TERMINAL BLOCK, PCB MOUNT, SIDE WIRE ENTRY, STACKING W/INTERLOCK, 10.16mm PITCH
0 PLC	±0	WEIGHT	-	SIZE A200779
1 PLC	±.3	CUSTOMER DRAWING	-	CAGE CODE C-282843
2 PLC	±.25	SCALE	4:1	DRAWING NO. 282843
3 PLC	±0	SHEET	2	OF
4 PLC	±0	REV	E1	RESTRICTED TO
ANGLES	±2°			
FINISH	-			

X-ON Electronics

Largest Supplier of Electrical and Electronic Components

Click to view similar products for [Fixed Terminal Blocks](#) category:

Click to view products by [TE Connectivity](#) manufacturer:

Other Similar products are found below :

[MBE-1512](#) [MBE-154](#) [MBE-156](#) [MBES-153](#) [MBES-156](#) [MH-2512](#) [MHE-132](#) [MHE-163](#) [MI-254 \(35\)](#) [MI-272](#) [880507](#) [MPT-275](#)
[15602-04-08-21](#) [ELM023100](#) [BA311TU](#) [BA411SU](#) [MV-152](#) [MV-252-D](#) [MV-253/NCNOC](#) [MV-254-D](#) [MV-255](#) [MV-462](#) [MV-493](#) [MVE-](#)
[253](#) [MVE-273](#) [MVEB-153](#) [1700096](#) [1705142](#) [1712417](#) [1713020](#) [1713088](#) [1745195](#) [1760594](#) [1776118-2](#) [1790852](#) [1-796689-8](#) [1-796692-6](#)
[1800001](#) [1800114](#) [1995279](#) [20020314-C121B01LF](#) [CB2-12](#) [KP03215000J0G](#) [KP04215000J0G](#) [S451](#) [282802-2](#) [29.007](#) [29.116](#) [30.103](#)
[30.106](#)