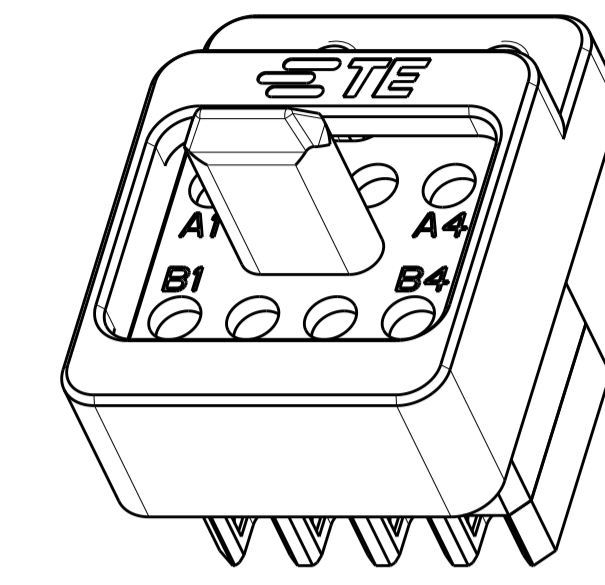
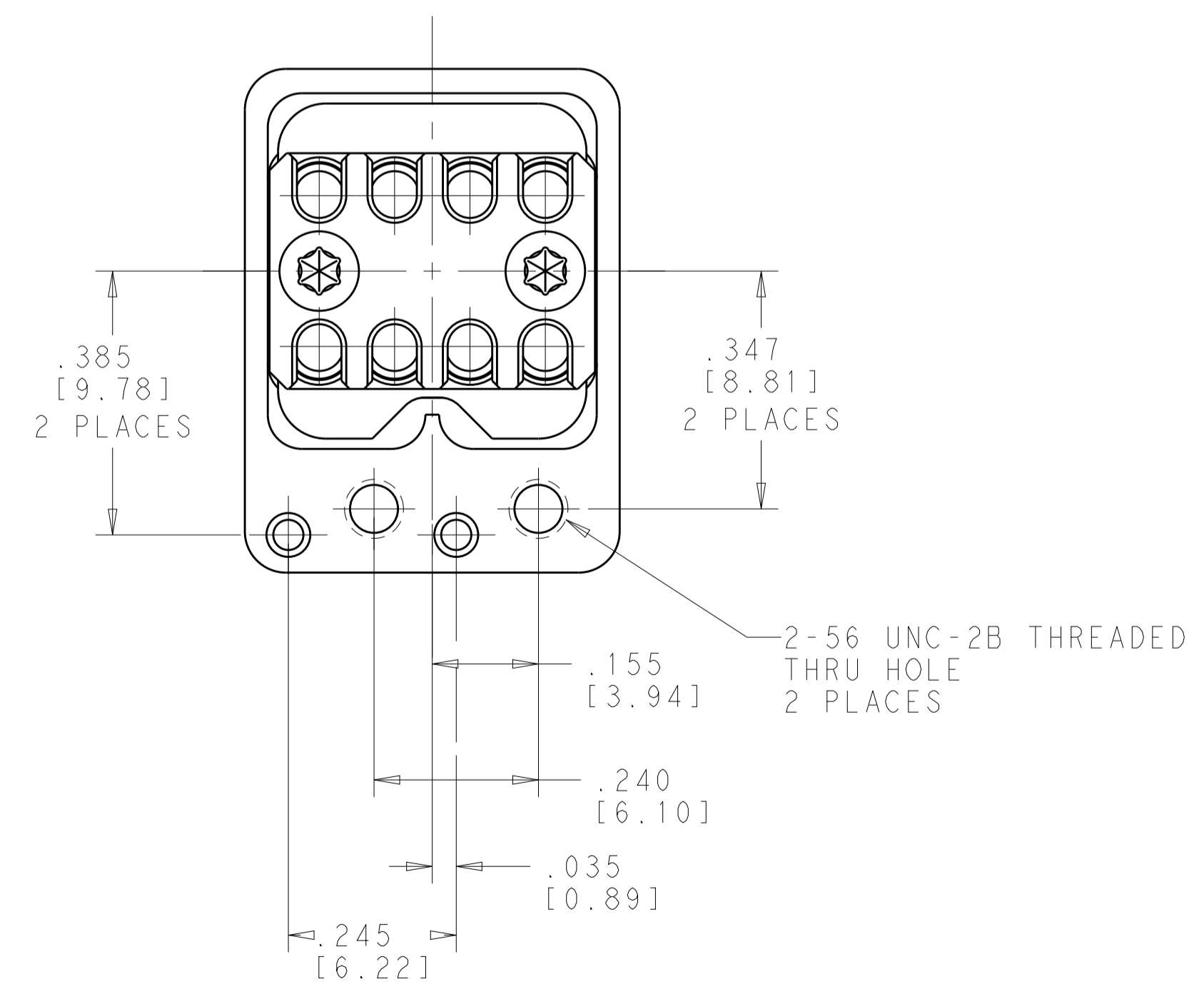
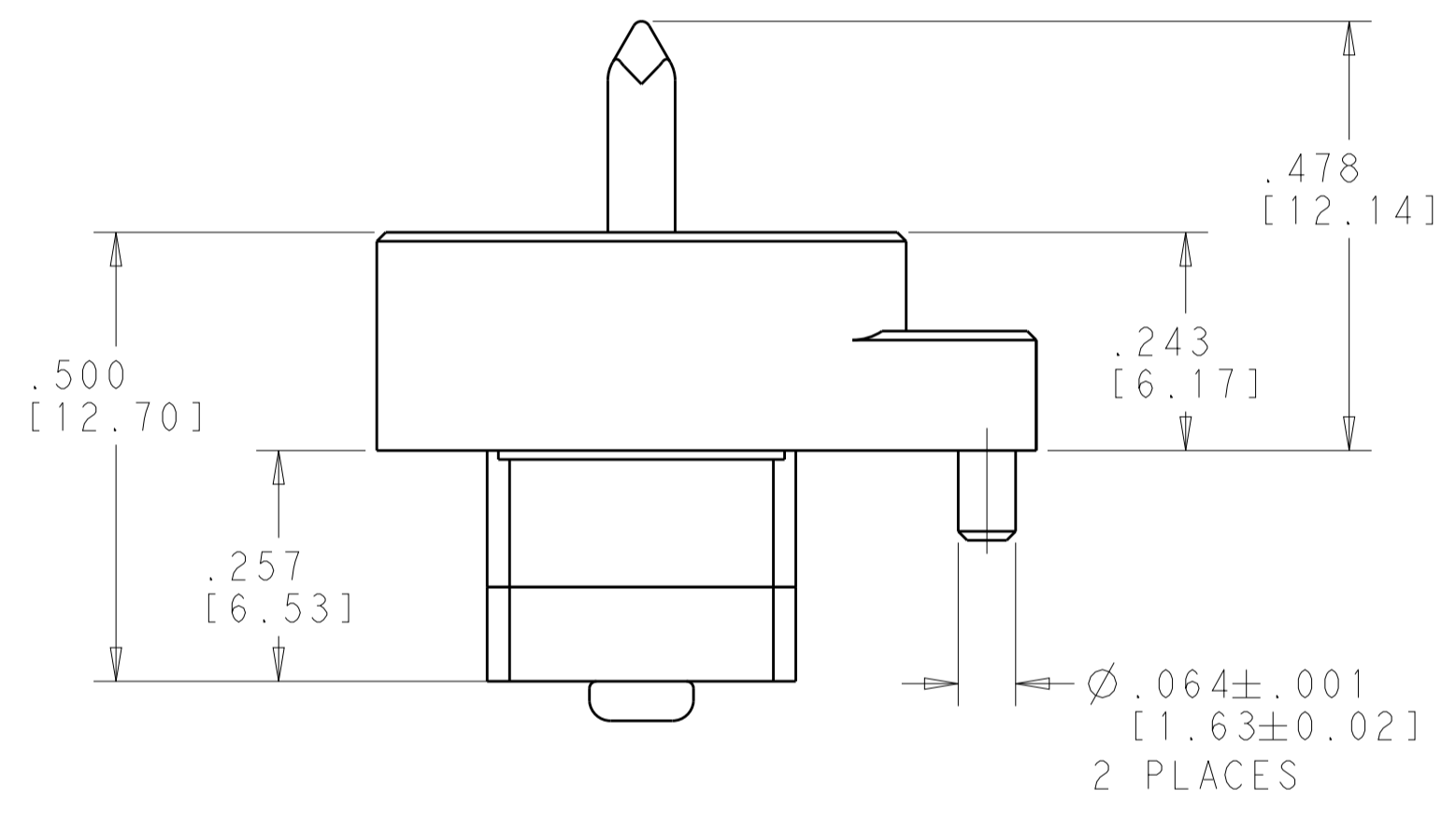
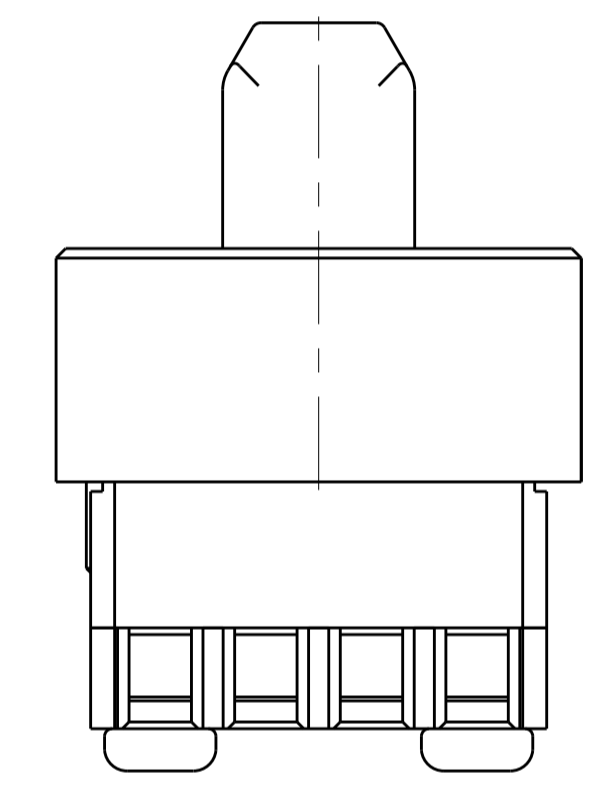
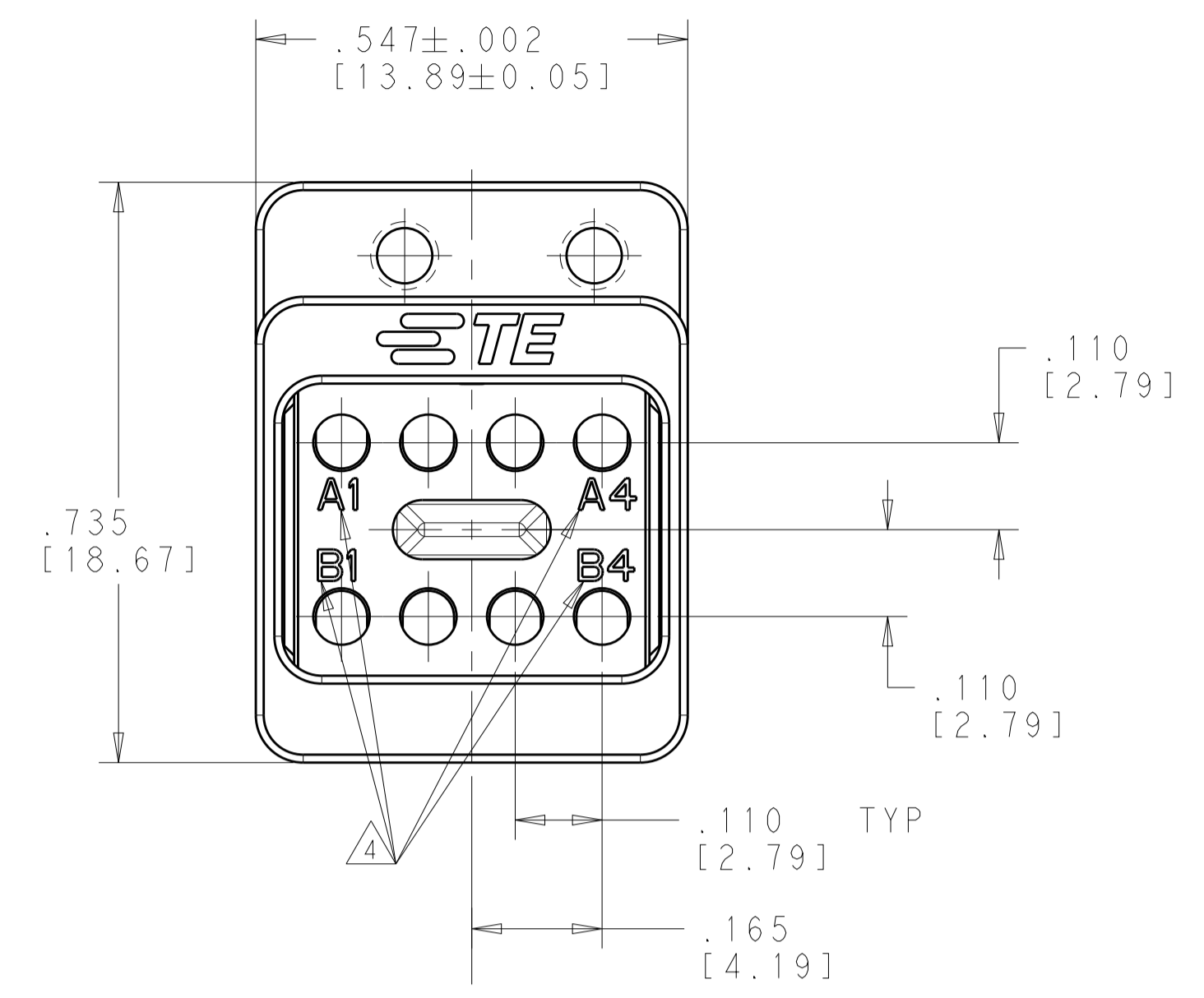
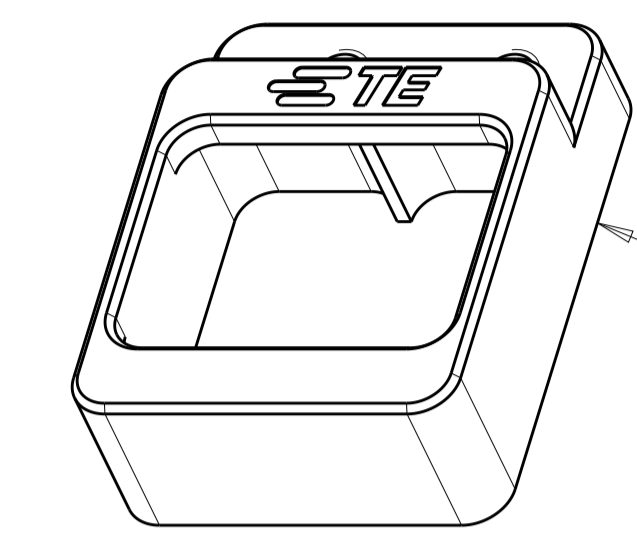


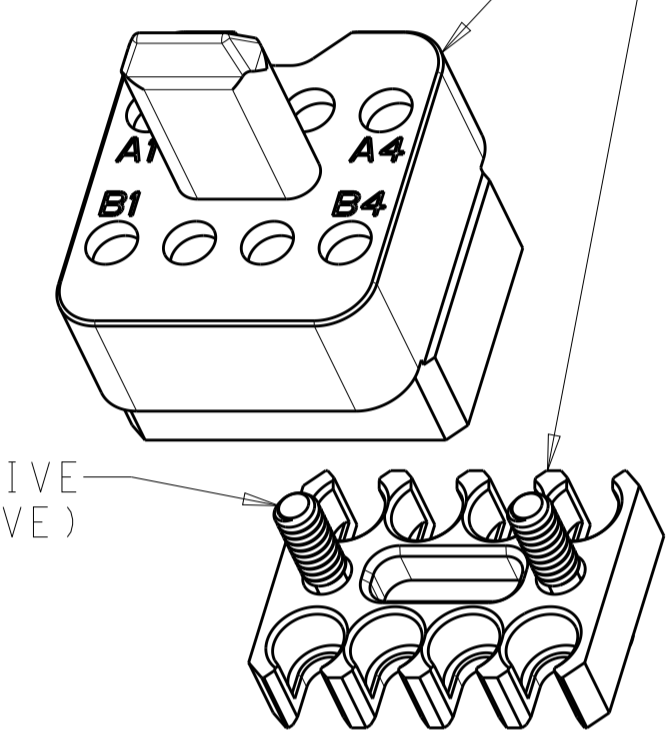
REVISIONS				
P.	LTN	DESCRIPTION	DATE	APP'D
C		REV PER ECO-19-005475	4-9-19	CT FB



SCALE 4:1



MODULE BODIES



0-80 UNF CAPTIVE SCREW (TORX DRIVE)

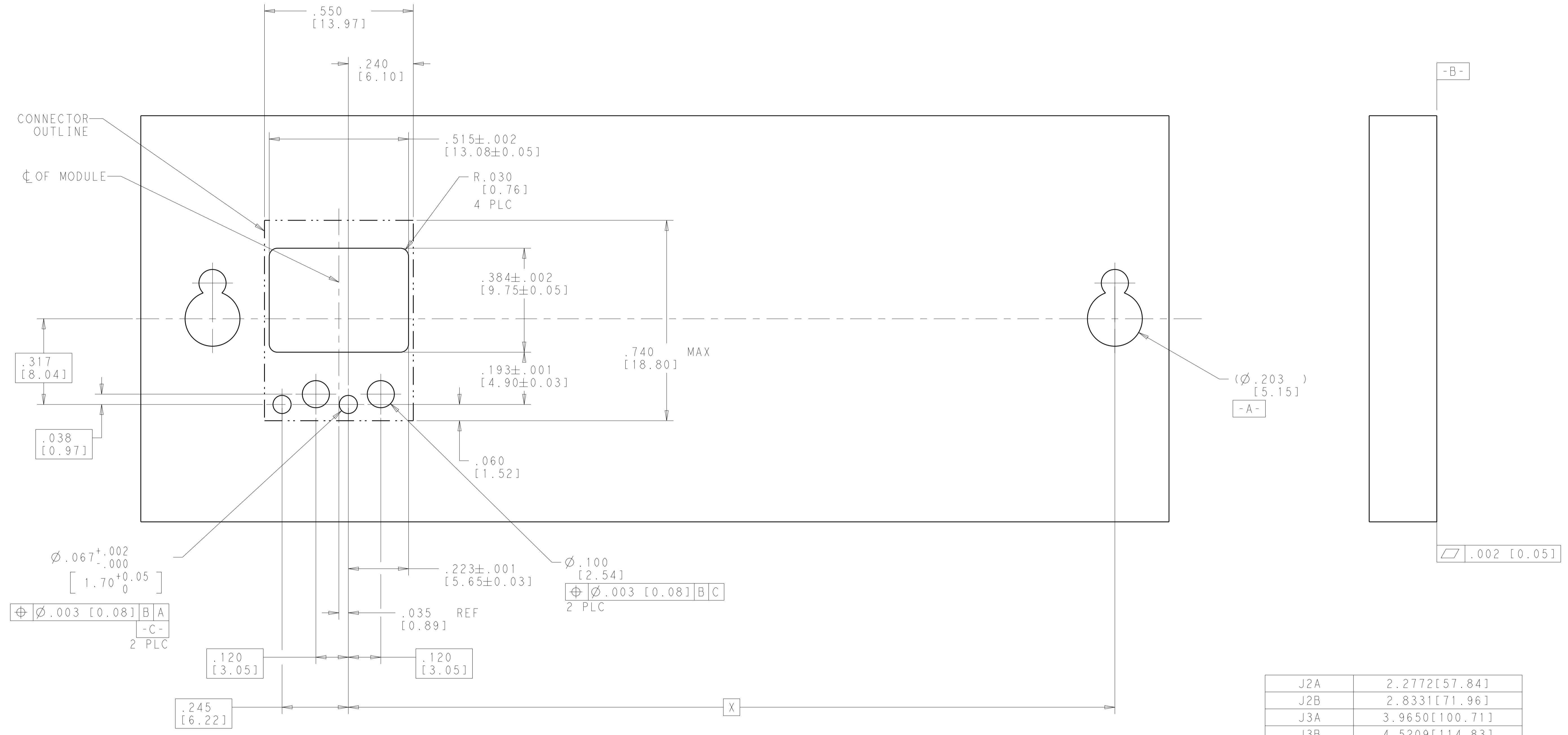
SCALE 4:1

- ① MATERIAL:
MODULE BODIES - SEE TABLE
GUIDE PIN - STAINLESS STEEL, PER UNS S30300
SCREWS - 300 SERIES STAINLESS STEEL
- ② FINISH:
MODULE BODIES - SEE TABLE
SCREWS AND GUIDE PIN - PASSIVATED
- 3. SHIPPED IN KIT FORM.
- ④ CIRCUIT IDENTIFICATION MARKING

CLEAR CHROMATE CONVERSION COATING	ALUMINUM	2828434-2
PASSIVATED	STAINLESS STEEL PER UNS S30300	2828434-1
MODULE FINISH ②	MODULE MATERIAL ①	PART NUMBER

THIS DRAWING IS A CONTROLLED DOCUMENT.		OWN: P. MILLER 23APR2015	TE Connectivity
DIMENSIONS: INCHES/mm		CHK: C. YI 14AUG2015	
TOLERANCES UNLESS OTHERWISE SPECIFIED:		APVD: K. DOWNHOWER 11APR2017	NAME: 8 POSITION NanoRF MODULE P.C.B. MOUNT - BACKPLANE VITA
0 PLC ± 1 PLC ± 2 PLC ± 3 PLC ±.005(0.13) 4 PLC ± ANGLES ±		PRODUCT SPEC: 108-163006 APPLICATION SPEC: 408-163016 WEIGHT:	
MATERIAL ①	FINISH ②	CUSTOMER DRAWING	SIZE: A 00779 C=2828434 SCALE: 5:1 SHEET 1 OF 2 REV C

REVISIONS				
P.	LTN	DESCRIPTION	DATE	APVD
-	-	SEE SHEET 1	-	-



TYP PCB LAYOUT - VIEWED FROM BACKSIDE OF BACKPLANE

J2A	2.2772[57.84]
J2B	2.8331[71.96]
J3A	3.9650[100.71]
J3B	4.5209[114.83]
J4A	5.0988[129.51]
J4B	5.6547[143.63]
J5A	6.2327[158.31]
J5B	6.7886[172.43]
J6A	7.3665[187.11]
J6B	7.9224[201.23]
POSITION	DIM "X"

THIS DRAWING IS A CONTROLLED DOCUMENT.		DWN R. MILLER 23APR2015		TE Connectivity
DIMENSIONS: INCHES/mm		CHK C. YI 14AUG2015		
TOLERANCES UNLESS OTHERWISE SPECIFIED:		APVD K. DOWNHOWER 11APR2017	NAME 8 POSITION NanoRF MODULE	
0 PLC ±		PRODUCT SPEC 108-163006	P.C.B. MOUNT - BACKPLANE	
1 PLC ±		APPLICATION SPEC 408-163016	VITA	
2 PLC ±		SIZE 408-163016	RESTRICTED TO	
3 PLC ±.005[0.13]		WEIGHT	A 00779 C=2828434	
4 PLC ±		CUSTOMER DRAWING	SCALE 8:1 SHEET 2 OF 2 REV C	
ANGLES ±				
FINISH				

X-ON Electronics

Largest Supplier of Electrical and Electronic Components

Click to view similar products for [RF Connector Accessories](#) category:

Click to view products by [TE Connectivity](#) manufacturer:

Other Similar products are found below :

[89674-0712](#) [F702RX24](#) [FERRULE-174](#) [R141802000](#) [R141805000](#) [R141842000](#) [R161862000](#) [R161862000W](#) [R280752000](#) [R280907000](#)
[R694261906](#) [RFI21-13](#) [RFI75-13-D2](#) [RFI75-4-D2](#) [AX102906](#) [AX102907](#) [18097-0013](#) [HP-375](#) [HP-500](#) [2098-0294-00](#) [2098-3251-94](#) [KA-](#)
[81-05](#) [89674-0805](#) [F1](#) [FERRULE-223](#) [202102-11](#) [213337-1](#) [220222-2](#) [24092671A](#) [24092678A](#) [R161841000](#) [R280468000](#) [R280510000](#)
[R282862060](#) [RFI155-1](#) [RFI25-12-D3](#) [RFI25-5](#) [RFI25-5-D3](#) [RFI75-12-D2](#) [RFI75-2-D2](#) [RFI75-4-D3](#) [RFI77-6](#) [360HS001M2508M6](#) [4-](#)
[1532137-4](#) [5-21085-0](#) [105274-1000](#) [111062-0490](#) [112122-SOD-LUG](#) [112-NUT-KNURL](#) [IPP-2014](#)