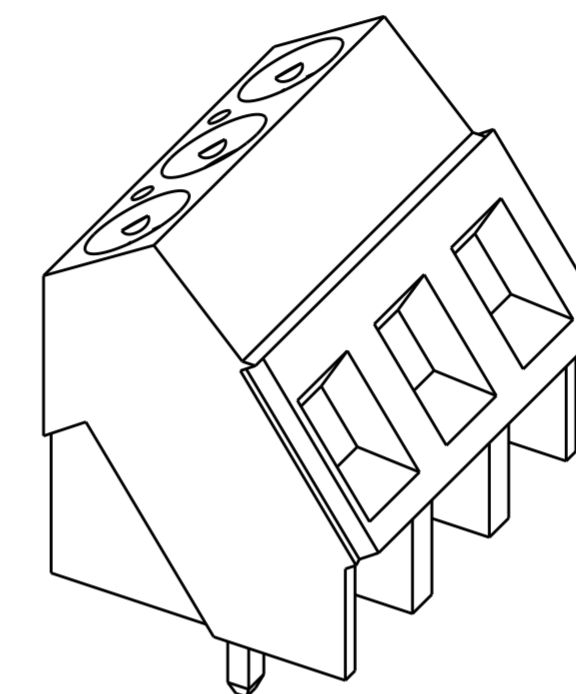
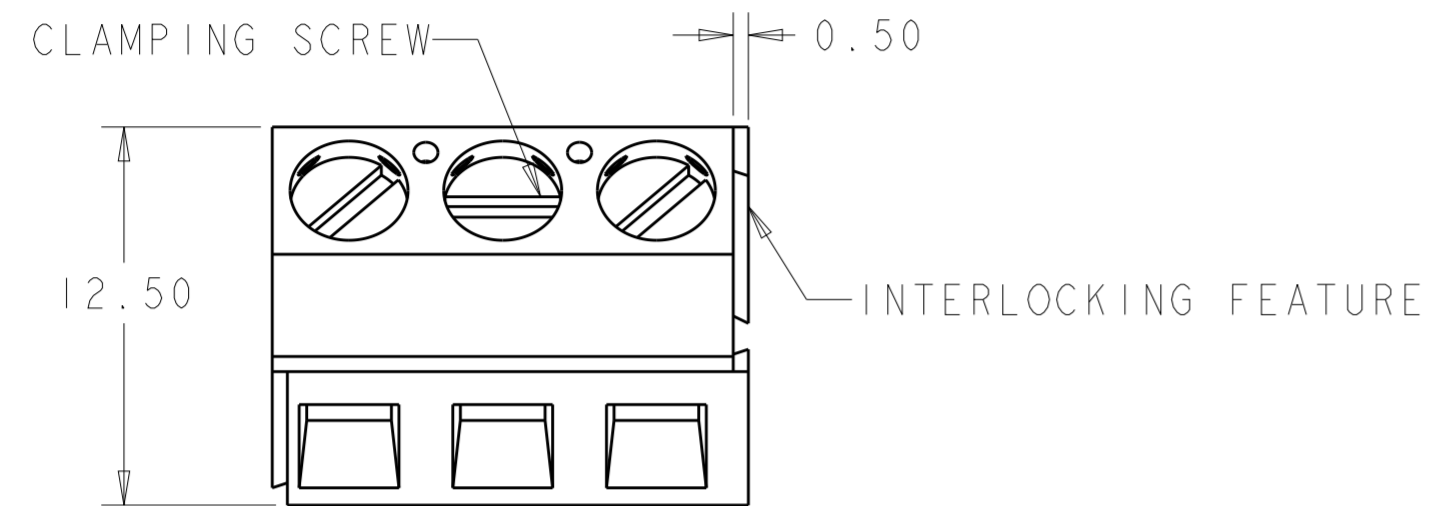
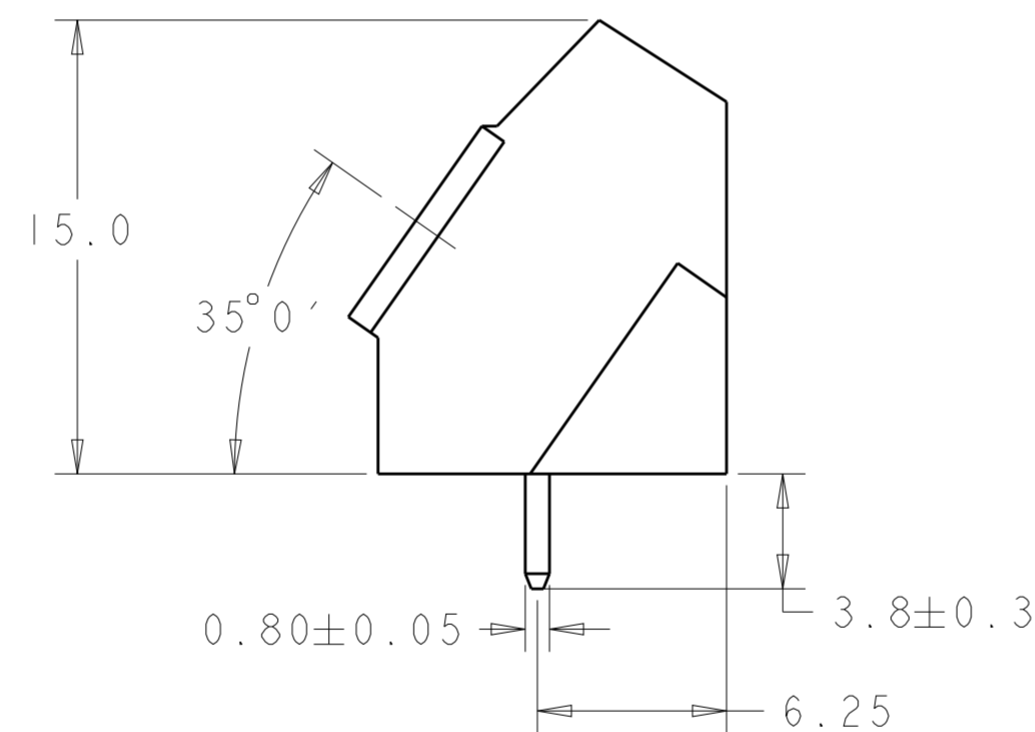
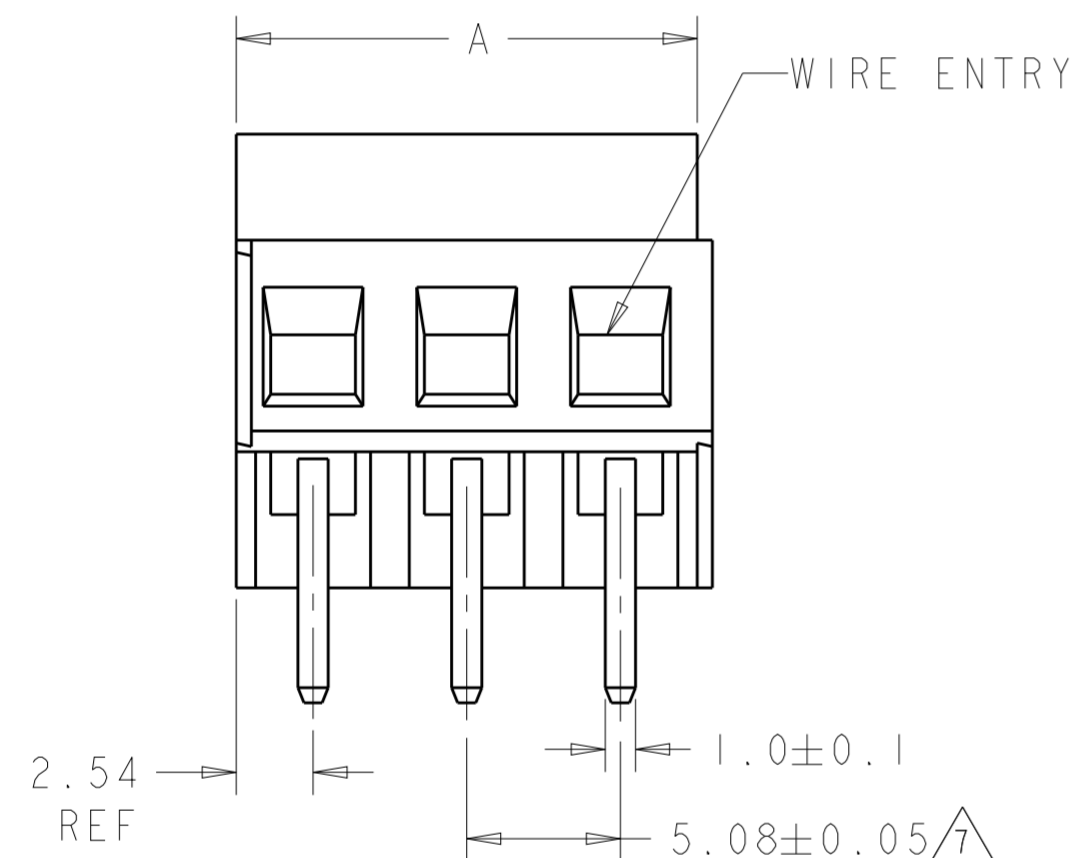


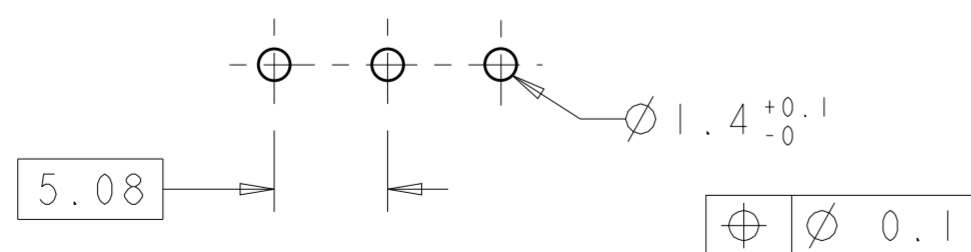
REVISIONS				
P	LTR	DESCRIPTION	DATE	APVD
D4		PART STATUS UPDATED	11JAN2018	RK PS
D5		2-282847-5 PART OBSOLETE	30AUG2020	DV PS



-3 AS SHOWN



RECOMMENDED PC BOARD LAYOUT



COLOR	DIM. A	MARKING	COMPOSITION	NO POS.	PART NUMBER
GREEN	15.24	9 1, 2, 3	-	3	2-282847-5
ORANGE	15.24	-	-	3	2-282847-3
	45.72	9 SEE SHEET 2	3+3+3 pos.	9	1-282847-4
	66.04	9 SEE SHEET 2	2+2+3+3+3 pos.	13	1-282847-3
	60.96	-	3+3+3+3 pos.	12	1-282847-2
	55.88	-	3+3+3+2 pos.	11	1-282847-1
	50.80	-	3+3+2+2 pos.	10	1-282847-0
GREEN	45.72	-	3+3+3 pos.	9	282847-9
	40.64	-	3+3+2 pos.	8	282847-8
	35.56	-	3+2+2 pos.	7	282847-7
	30.48	-	3+3 pos.	6	282847-6
	25.40	-	3+2 pos.	5	282847-5
	20.32	-	2+2 pos.	4	282847-4
	15.24	-	-	3	282847-3
	10.16	-	-	2	282847-2

THIS DRAWING IS A CONTROLLED DOCUMENT.

DWN E. ZANOLINI / ISMAR2001
CHK D. BIEVENOUR / ISMAR2001
APVD D. BIEVENOUR / ISMAR2001

STE TE Connectivity

NAME: TERMINAL BLOCK, PCB MOUNT
ANGLED ENTRY WIRE, STACKING
W/ INTERLOCK, 5.08mm, PITCH

PRODUCT SPEC: -
APPLICATION SPEC: -
WEIGHT: -

SIZE: A2 CAGE CODE: 00779 DRAWING NO: C-282847 RESTRICTED TO: -

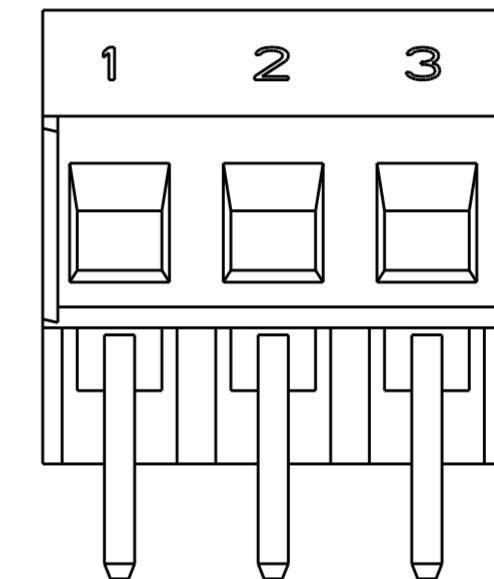
MATERIAL: 1 TOLERANCES UNLESS OTHERWISE SPECIFIED: 1

0 PLC ±3
1 PLC ±.3
2 PLC ±.25
3 PLC ±.
4 PLC ±.
ANGLES ±2
FINISH 1

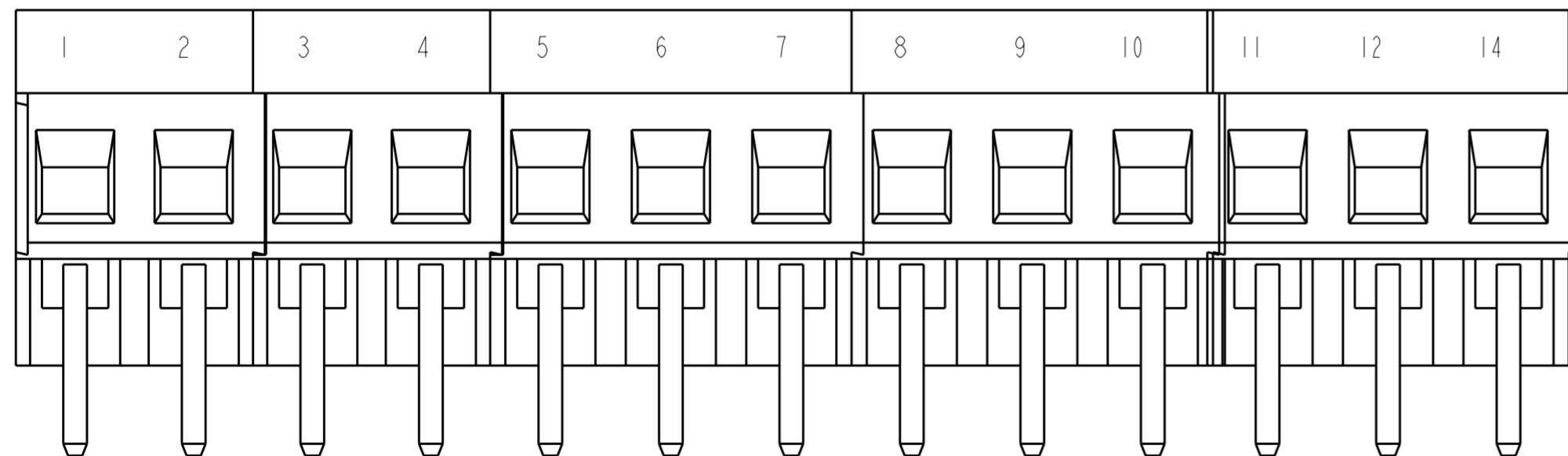
CUSTOMER DRAWING SCALE: 4:1 SHEET 1 OF 2 REV D5

P	LTR	DESCRIPTION	DATE	DWN	APVD
-		SEE SHEET 1	-	-	-

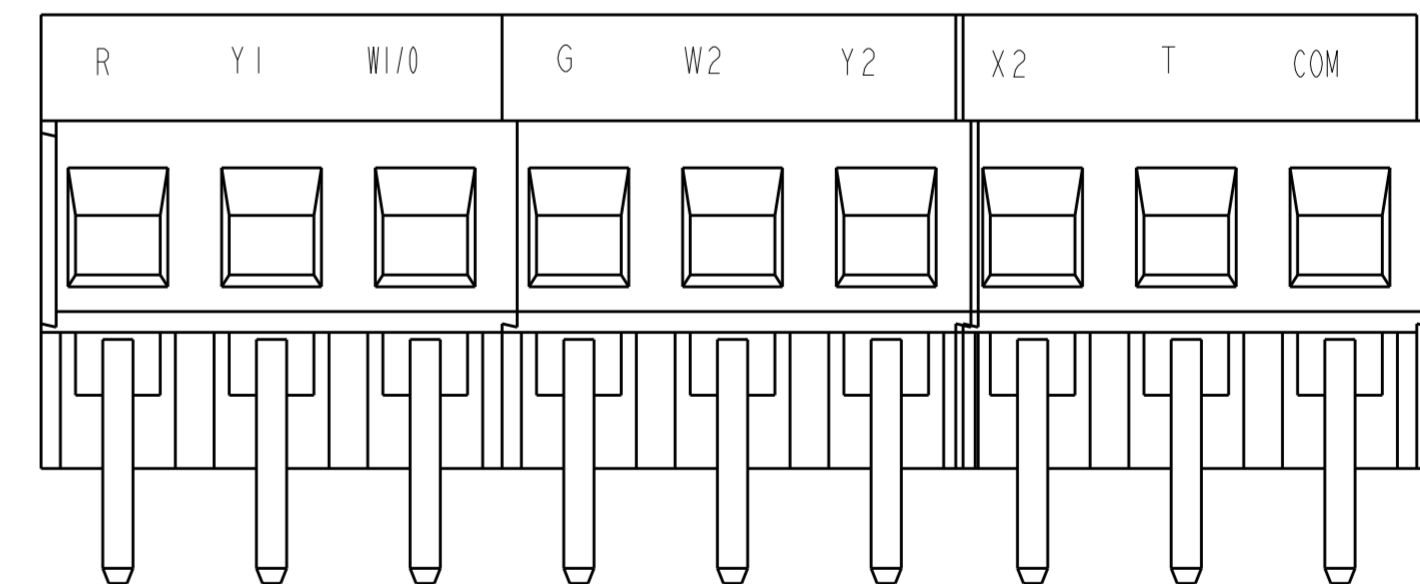
- 1 MATERIALS AND FINISH:
HOUSING: PA 6-6, UL 94-V0, COLOR: SEE TABLE.
CLAMP: BRASS, NICKEL PLATED.
TERMINAL: BRASS, TIN PLATED.
CLAMPING SCREW: M3, BRASS, NICKEL PLATED.
- 2 SUITABLE FOR 1,6-2,4mm PCB THICKNESS.
- 3 END-TO-END STACKABLE W/INTERLOCK, WITHOUT LOSS OF CENTERLINE SPACING.
- 4 WIRE SIZE RANGE:
SOLID WIRE: 0,03-2,5mm² (13AWG)
STRANDED WIRE: 0,03-1,5mm² (15AWG)
- 5 RECOGNIZED UNDER THE COMPONENT PROGRAM OF UNDERWRITERS LABORATORIES INC., FILE NO E60677.
- 6 IMQ CERTIFICATE WITH SURVEILLANCE IN CONFORMITY WITH IEC 998-1/998-2-1.
- 7 NOT CUMULATIVE TOLERANCE.
- 8 P/NS OBTAINED BY GLUING AND ASSEMBLYING TOGETHER LISTED CONNECTORS.
- 9 INK MARKING, BLACK COLOR



P/N 2-282847-5 AS SHOWN



P/N ~~1-282847-3~~ AS SHOWN
OBSOLETE



P/N ~~1-282847-4~~ AS SHOWN
OBSOLETE

THIS DRAWING IS A CONTROLLED DOCUMENT.		DWN E. ZANOLINI	15MAR2001		TE Connectivity
DIMENSIONS: mm		CHK D. BIEVENOUR	15MAR2001		
TOLERANCES UNLESS OTHERWISE SPECIFIED:		APVD D. BIEVENOUR	15MAR2001		
0 PLC ±- 1 PLC ±.3 2 PLC ±.25 3 PLC ±- 4 PLC ±- ANGLES ±2 FINISH		PRODUCT SPEC	-		
MATERIAL		APPLICATION SPEC	-		NAME TERMINAL BLOCK, PCB MOUNT ANGLED ENTRY WIRE, STACKING W/ INTERLOCK, 5.08mm, PITCH
		WEIGHT	-		SIZE A200779
		CUSTOMER DRAWING	SCALE 4:1		DRAWING NO C-282847
			SHEET 2 OF 2		RESTRICTED TO REV D5

X-ON Electronics

Largest Supplier of Electrical and Electronic Components

Click to view similar products for [Fixed Terminal Blocks](#) category:

Click to view products by [TE Connectivity](#) manufacturer:

Other Similar products are found below :

[MBE-1512](#) [MBE-154](#) [MBE-156](#) [MBES-153](#) [MBES-156](#) [MH-2512](#) [MHE-132](#) [MHE-163](#) [MI-254 \(35\)](#) [MI-272](#) [880507](#) [MPT-275](#)
[15602-04-08-21](#) [BA311TU](#) [BA411SU](#) [MV-152](#) [MV-252-D](#) [MV-253/NCNOC](#) [MV-254-D](#) [MV-255](#) [MV-462](#) [MV-493](#) [MVE-252](#) [MVE-253](#)
[MVE-273](#) [MVEB-153](#) [1700096](#) [1705142](#) [1712417](#) [1713020](#) [1713088](#) [1745195](#) [1760594](#) [1776118-2](#) [1790852](#) [1-796689-8](#) [1-796692-6](#)
[1800001](#) [1800114](#) [1995279](#) [20020314-C121B01LF](#) [20020316-G041B01LF](#) [CB2-12](#) [KP03215000J0G](#) [KP04215000J0G](#) [S451](#) [282802-2](#)
[29.007](#) [29.116](#) [30.103](#)