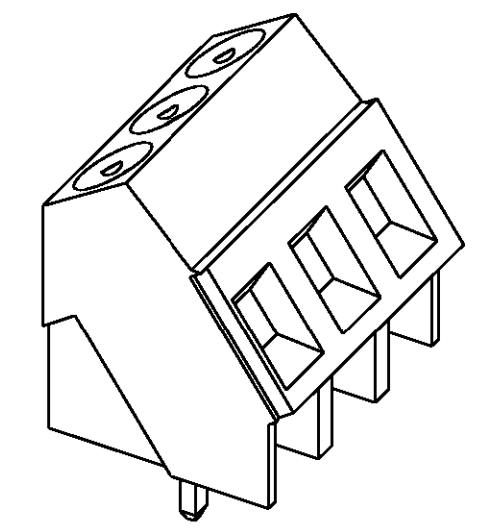
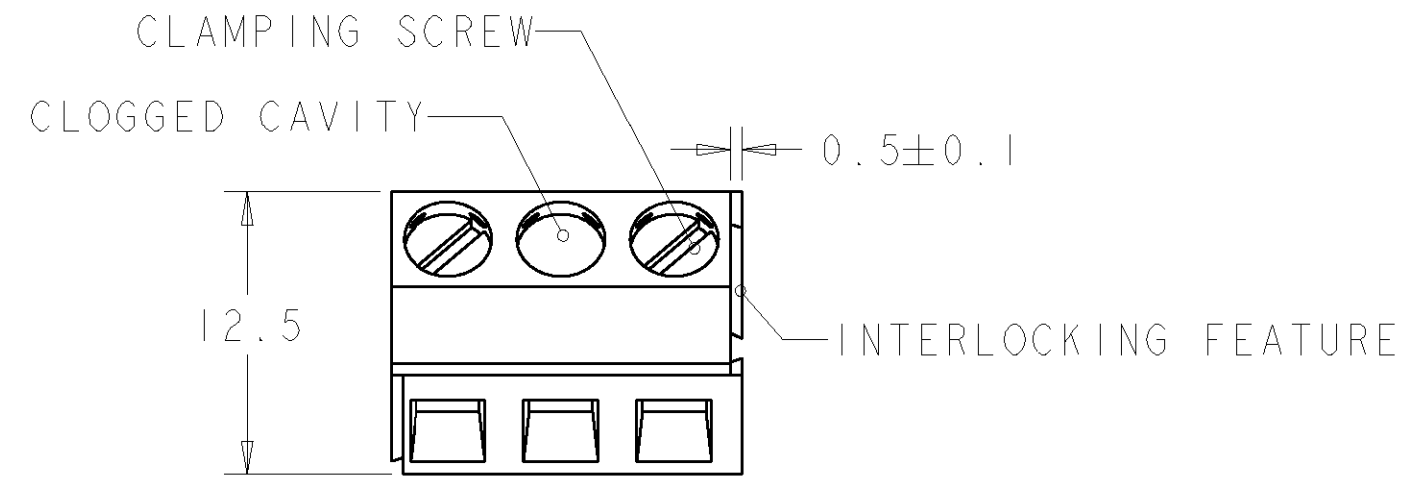
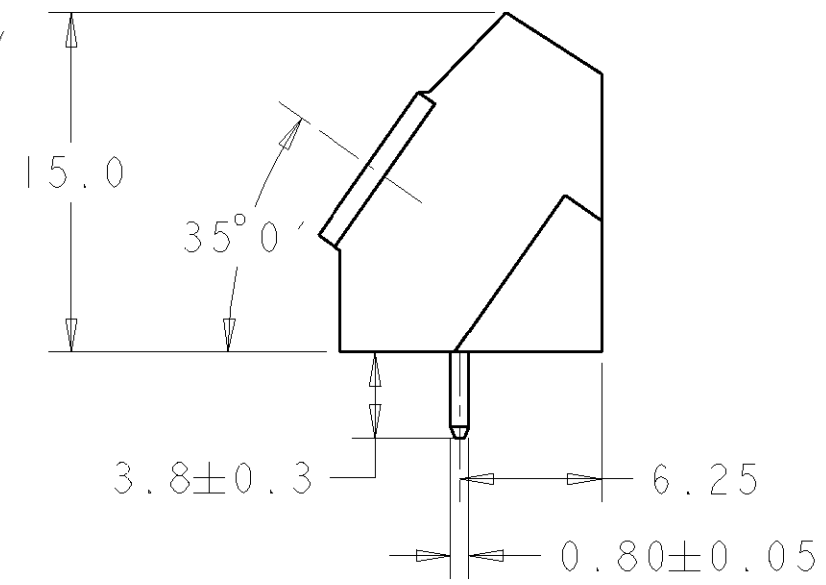
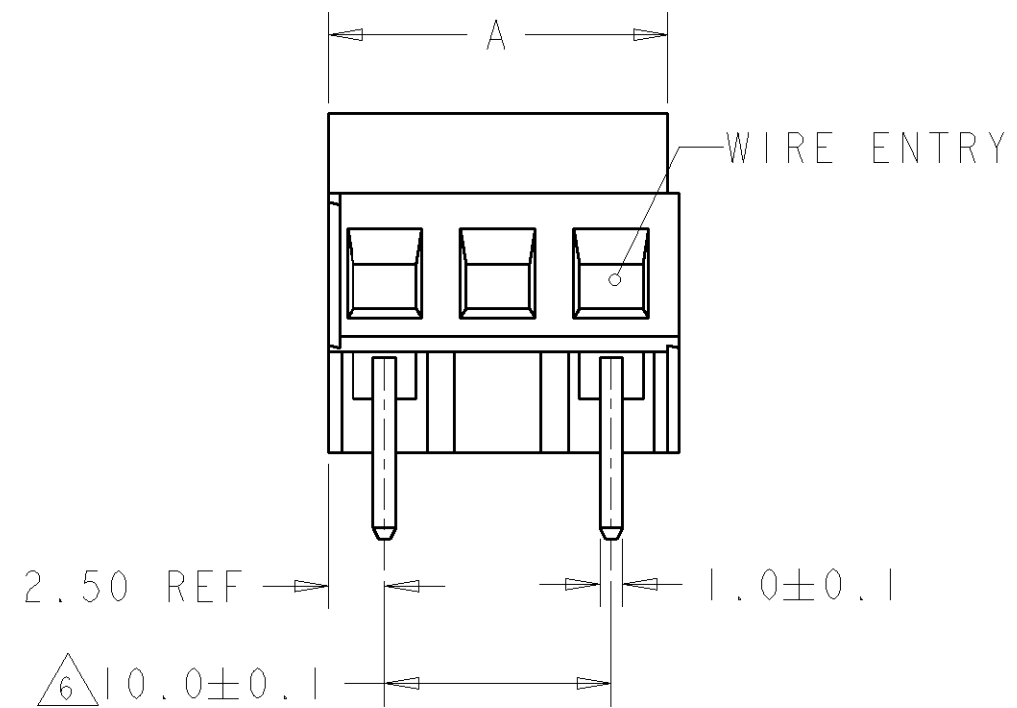


THIS DRAWING IS UNPUBLISHED. RELEASED FOR PUBLICATION 20  
 © COPYRIGHT 20 BY TYCO ELECTRONICS CORPORATION. ALL RIGHTS RESERVED.

LOC	DIST	REVISIONS			
P	LTR	DESCRIPTION	DATE	DWN	APVD
FT	0	C	REVISED PER 0G3B-0119-01	17AUG2001	EZ DB

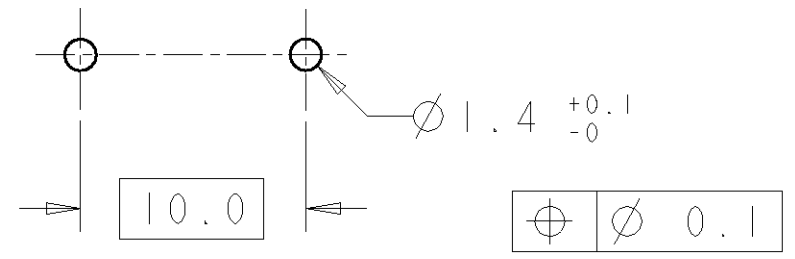


282848-2 AS SHOWN



AS SHOWN	DIM. A	N° OF POS.	PART NUMBER
	25	3	282848-7
	55	6	282848-6
	45	5	282848-5
	35	4	282848-4
	25	3	282848-3
	15	2	282848-2

RECOMMENDED PCB BOARD LAYOUT



THIS DRAWING IS A CONTROLLED DOCUMENT FOR TYCO ELECTRONICS CORPORATION. IT IS SUBJECT TO CHANGE AND THE CONTROLLING ENGINEERING ORGANIZATION SHOULD BE CONTACTED FOR THE LATEST REVISION.

DIMENSIONS: mm	TOLERANCES UNLESS OTHERWISE SPECIFIED: 0 PLC ±- 1 PLC ±.3 2 PLC ±.25 3 PLC ±- 4 PLC ±- ANGLES ±2	DWN 17AUG2001 E. ZANOLINI CHK 17AUG2001 D. BIEVENOUR APVD 17AUG2001 D. BIEVENOUR	<b>BUCHANAN</b> Tyco Electronics Harrisburg, PA 17105-3608
MATERIAL	FINISH	PRODUCT SPEC 108-20166 APPLICATION SPEC 114-20079 WEIGHT -	NAME TERMINAL BLOCK PCB MOUNT ANGLED ENTRY WIRE 10mm PITCH
		CUSTOMER DRAWING	SIZE A3 CAGE CODE 00779 DRAWING NO C=282848 RESTRICTED TO -
		SCALE 3:1	SHEET 1 OF 2 REV C

THIS DRAWING IS UNPUBLISHED.

RELEASED FOR PUBLICATION

20

© COPYRIGHT 20

BY TYCO ELECTRONICS CORPORATION. ALL RIGHTS RESERVED.

LOC	DIST	REVISIONS					
		P	LTR	DESCRIPTION	DATE	DWN	APVD
FT	0		-	SEE SHEET 1	-	-	-



MATERIALS AND FINISH  
 HOUSING: PA 6-6, UL 94-V0, COLOR GREEN.  
 CLAMP: BRASS, NICKEL PLATED.  
 TERMINAL: BRASS, TIN PLATED.  
 CLAMPING SCREW: M3, BRASS, NICKEL PLATED.  
 SUITABLE FOR 1,6-2,4mm PCB THICKNESS.

2

3

WIRE SIZE RANGE  
 SOLID WIRE: 0,03-2,5mm (13AWG)  
 STRANDED WIRE: 0,03-1,5mm (15AWG)

4

RECOGNIZED UNDER THE COMPONENT PROGRAM OF  
 UNDERWRITERS LABORATORIES INC. FILE N° E60677.

5

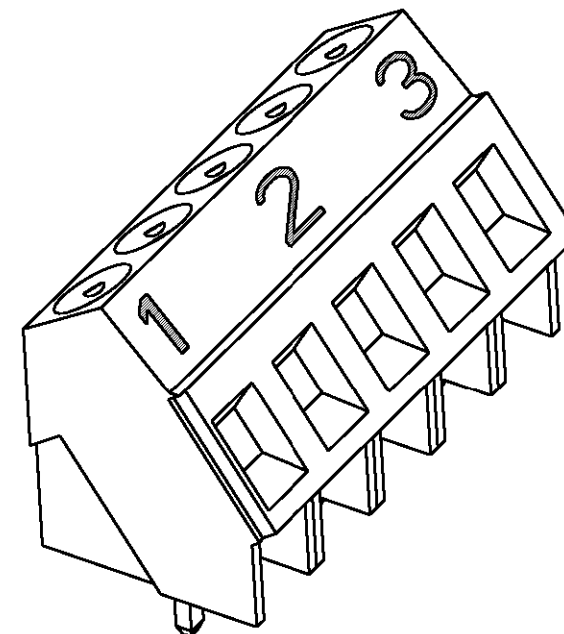
IMQ CERTIFICATE WITH SURVEILLANCE IN CONFORMITY  
 WITH IEC 998-1/998-2-1.



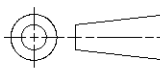
NOT CUMULATIVE TOLERANCE.



INK MARKING, WHITE COLOR,  
 UNLESS OTHERWISE SPECIFIED.  
 NUMERICAL SEQUENCE: FROM LEFT TO RIGHT,  
 UNLESS OTHERWISE SPECIFIED.



282848-7 AS SHOWN

<small>THIS DRAWING IS A CONTROLLED DOCUMENT FOR TYCO ELECTRONICS CORPORATION          IT IS SUBJECT TO CHANGE AND THE CONTROLLING ENGINEERING ORGANIZATION          SHOULD BE CONTACTED FOR THE LATEST REVISION.</small>		DWN E. ZANOLINI 17AUG2001	<b>BUCHANAN</b> Tyco Electronics Harrisburg, PA 17105-3608				
DIMENSIONS: mm 		CHK D. BIEVENOUR 17AUG2001	NAME TERMINAL BLOCK PCB MOUNT ANGLED ENTRY WIRE 10mm PITCH				
TOLERANCES UNLESS OTHERWISE SPECIFIED: 0 PLC ±- 1 PLC ±- 2 PLC ±- 3 PLC ±- 4 PLC ±- ANGLES ±-		APVD D. BIEVENOUR 17AUG2001					
MATERIAL -		PRODUCT SPEC -	SIZE A3	CAGE CODE 00779	DRAWING NO C-282848	RESTRICTED TO -	
FINISH -		APPLICATION SPEC -	CUSTOMER DRAWING		SCALE 3:1	SHEET 2 OF 2	REV C

## X-ON Electronics

Largest Supplier of Electrical and Electronic Components

*Click to view similar products for [Fixed Terminal Blocks](#) category:*

*Click to view products by [TE Connectivity](#) manufacturer:*

Other Similar products are found below :

[MBE-1512](#) [MBE-154](#) [MBE-156](#) [MBES-153](#) [MBES-156](#) [MH-2512](#) [MHE-132](#) [MHE-163](#) [MI-254 \(35\)](#) [MI-272](#) [880507](#) [MPT-275](#)  
[15602-04-08-21](#) [BA311TU](#) [BA411SU](#) [MV-152](#) [MV-252-D](#) [MV-253/NCNOC](#) [MV-254-D](#) [MV-255](#) [MV-462](#) [MV-493](#) [MVE-252](#) [MVE-253](#)  
[MVE-273](#) [MVEB-153](#) [1700096](#) [1705142](#) [1712417](#) [1713020](#) [1713088](#) [1745195](#) [1760594](#) [1776118-2](#) [1790852](#) [1-796689-8](#) [1-796692-6](#)  
[1800001](#) [1800114](#) [1995279](#) [20020314-C121B01LF](#) [CB2-12](#) [KP03215000J0G](#) [KP04215000J0G](#) [S451](#) [282802-2](#) [29.007](#) [29.116](#) [30.103](#)  
[30.106](#)