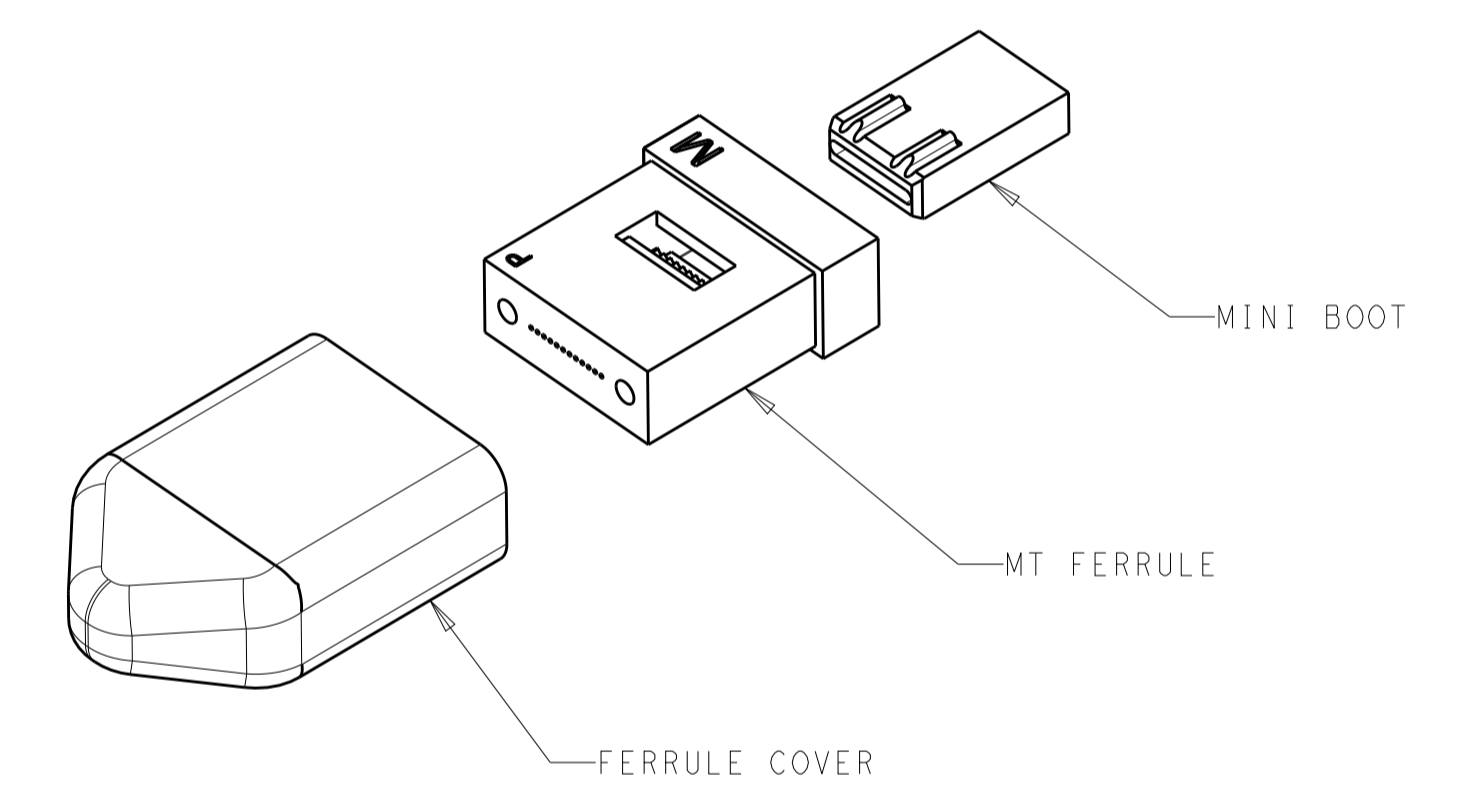
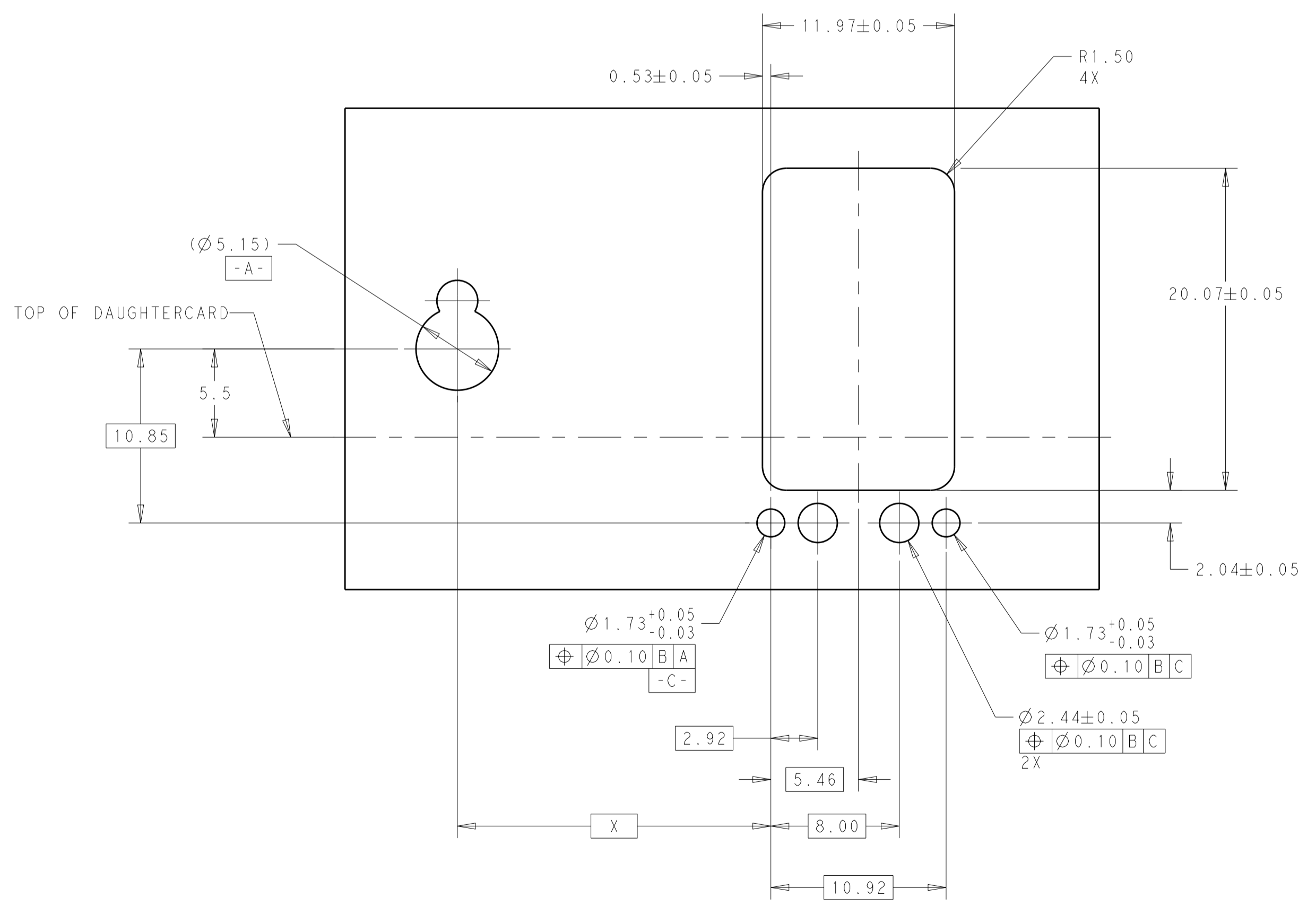
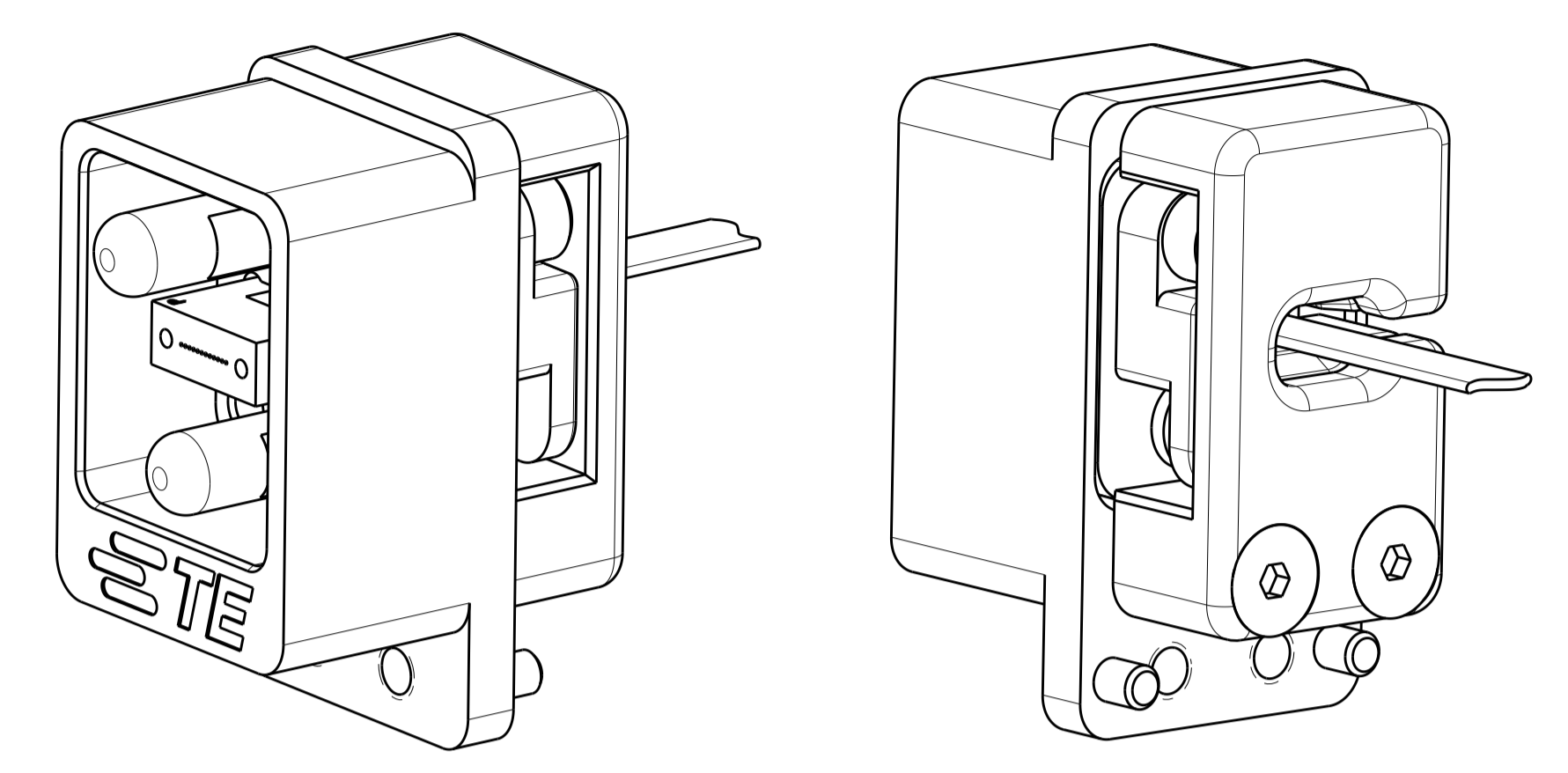
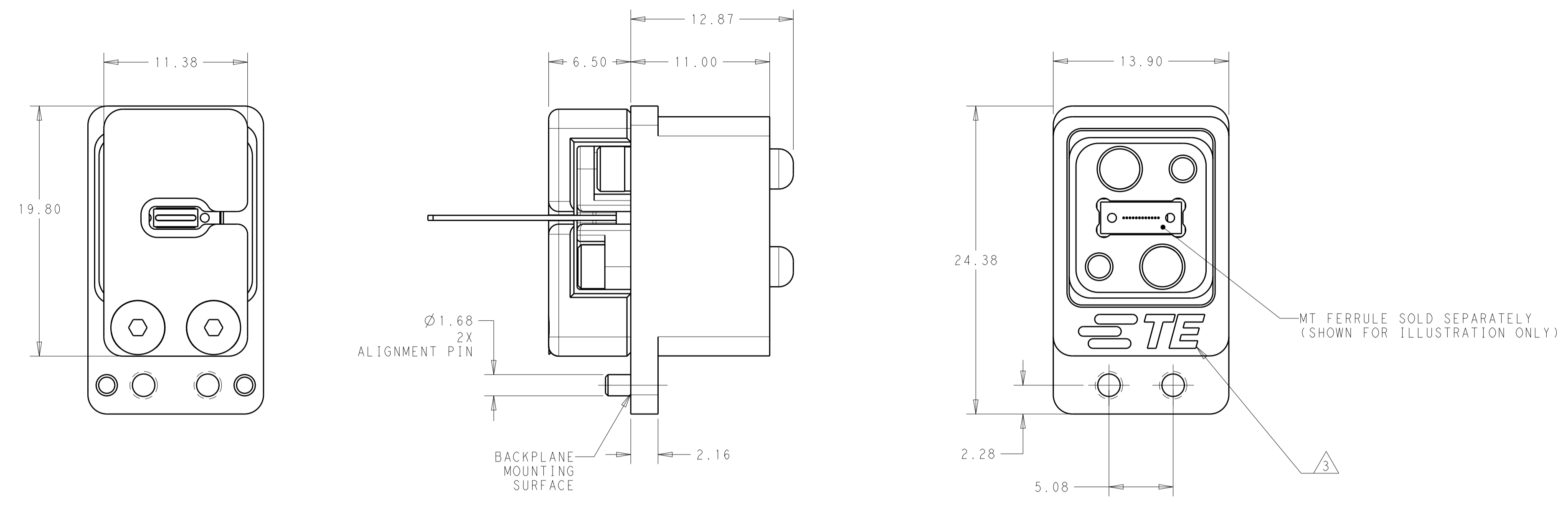


REVISIONS				
P.	LTN.	DESCRIPTION	DATE	DWN. APVD.
A		RELEASED PER ECO 16-008512	6-9-16	CT DW



MT FERRULE KIT ⁴
 (SOLD SEPARATELY)

- ¹ MATERIAL:
CONNECTOR BODY & HARDWARE: STAINLESS STEEL
MT FIBER INSERT: ALUMINUM ALLOY
- ² FINISH:
CONNECTOR BODY & HARDWARE: PASSIVATED
MT FIBER INSERT: CLEAR CHROMATE
- ³ PART NUMBER AND DATE CODE MARKING.
- ⁴ UNASSEMBLED FIBER-OPTIC COMPONENT KITS ARE AVAILABLE SEPARATELY, 2102866-1.

2828736-1
PART NO

THIS DRAWING IS A CONTROLLED DOCUMENT.		DWN. J.H. MILLER 16DEC2015	TE Connectivity
DIMENSIONS: mm		CHK. C. YI 16DEC2015	
TOLERANCES UNLESS OTHERWISE SPECIFIED:		APVD. C. YI 16DEC2015	NAME CONNECTOR KIT RECEPTACLE (BACKPLANE) VITA 67.3 MODULE D COMPATIBLE FIBER OPTIC (VITA 66.4)
0 PLC ± 1 PLC ± 2 PLC ±0.13 3 PLC ±0.013 4 PLC ± ANGLES ±		PRODUCT SPEC	
MATERIAL: ¹		APPLICATION SPEC	SIZE CAGE CODE DRAWING NO A100779C=2828736
FINISH: ²		WEIGHT	
CUSTOMER DRAWING		SCALE 4:1	RESTRICTED TO
		SHEET 1 OF 1	REV A

X-ON Electronics

Largest Supplier of Electrical and Electronic Components

Click to view similar products for [Modules Accessories](#) category:

Click to view products by [TE Connectivity](#) manufacturer:

Other Similar products are found below :

[7010-0001](#) [AX98219](#) [A1UL8RISER](#) [F1UJPMICRISER](#) [FHW1U16RISER](#) [20-101-0440](#) [2828736-1](#) [MBCDROM](#) [AX61221TM](#) [VM-105](#)
[EA CARREDIPTFT02](#) [AMO-R022E](#) [RK-210E-B](#) [E226171106](#) [88606200030E](#) [8816K6400A0E](#) [MIC-75M13-00A1E](#) [FPM-1000T-SMKE](#)
[AMK-R004E](#) [96FMCF-ST2ADAPTER1](#) [AHWKPTP12GBGB](#) [FPK-07-R10](#) [Mini Din 6P to 6P HARNESS](#) [FPF1320 POWER](#)
[MULTIPLEXER CARRIER](#) [881261510A0E](#) [AXXP3SWX08080](#) [conga-B7XD/CSP-Cu-B](#) [881281021A0E](#) [HFT for mounting KIT](#)
[FN928X_FN929X](#) [BB-MH112-1A](#) [15100600](#) [9-5000-1116](#) [BKCMCR1ABA](#) [70763](#) [98R3612003E](#) [881261910A0E](#) [106897](#) [48222R](#)
[BREAK OUT BOARD 20](#) [4D ARDUINO ADAPTOR SHIELD II](#) [20926110901](#) [PYCASE GREEN](#) [PYCASE BLUE](#) [FP15072_ZORYA-SC-](#)
[HEKLA](#) [20952000004](#) [20953000007](#) [DP-DVI-R10](#) [575-BBIS](#) [RACK-220GW/A130B](#) [492-BBKM](#)