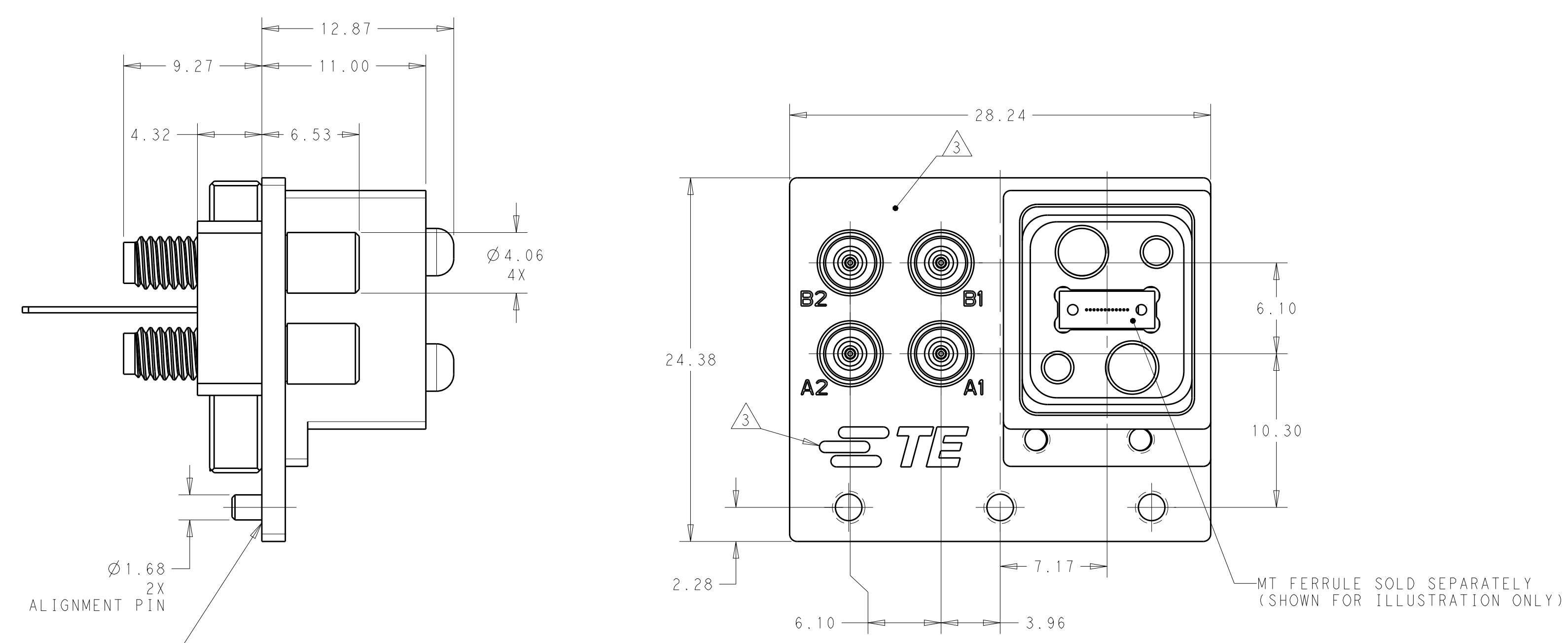
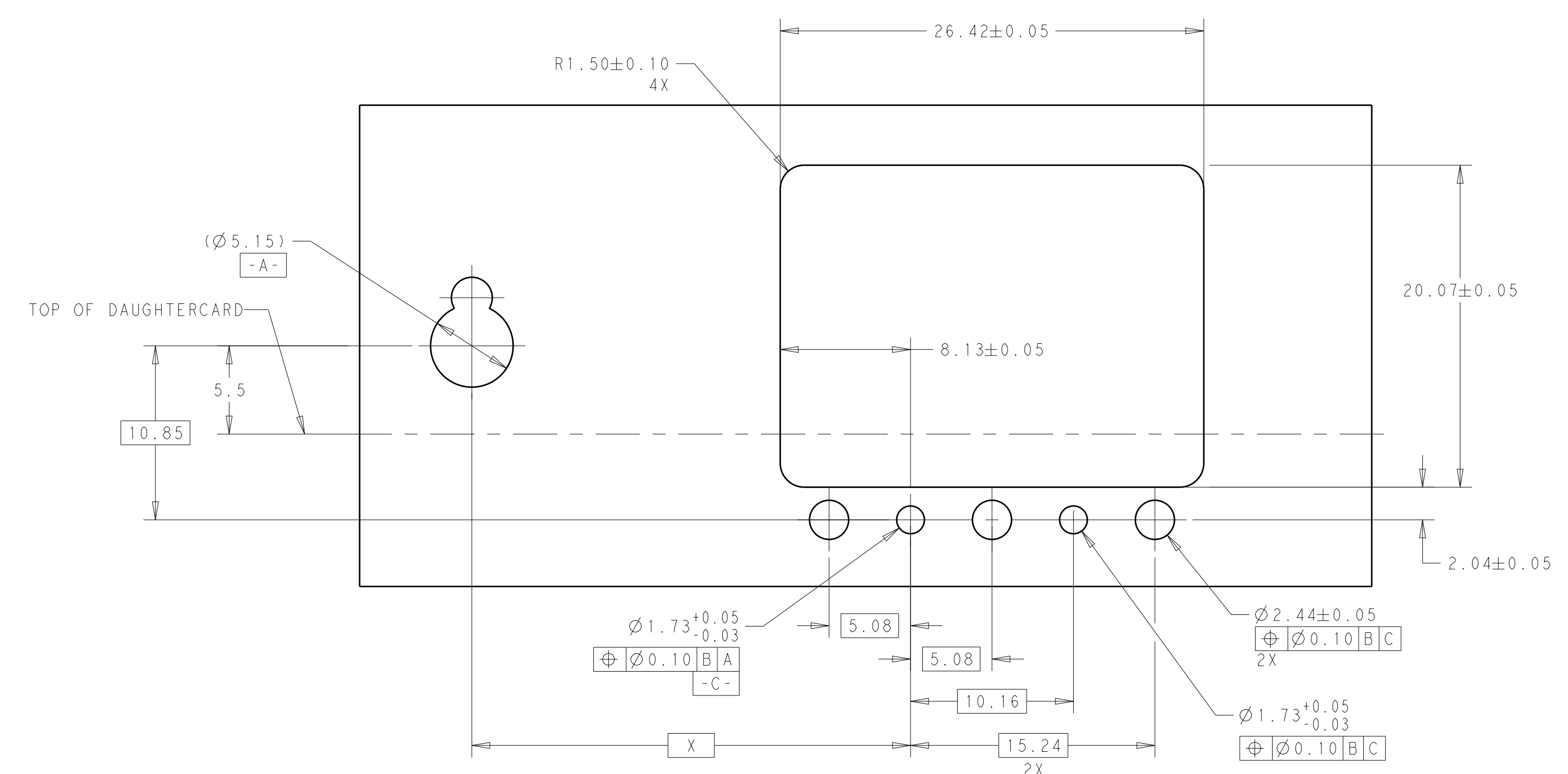
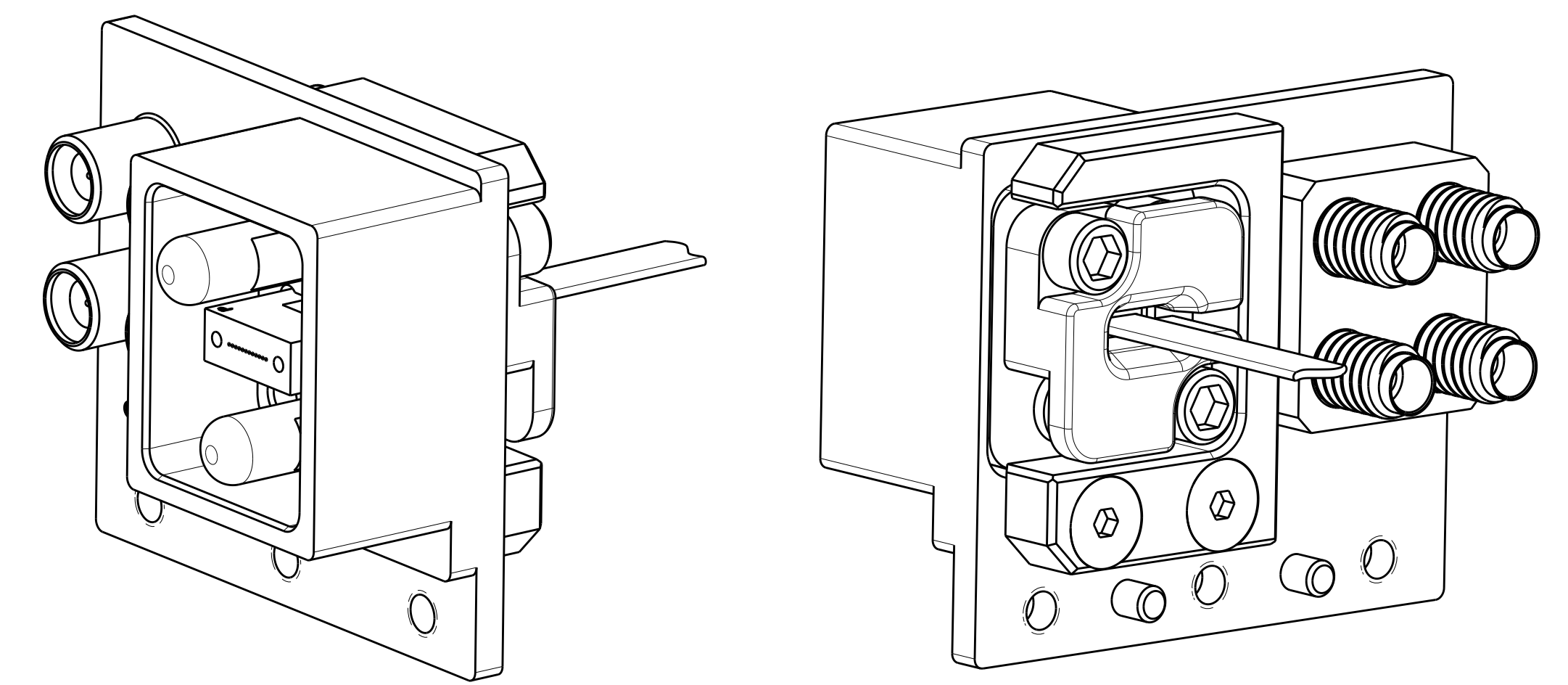


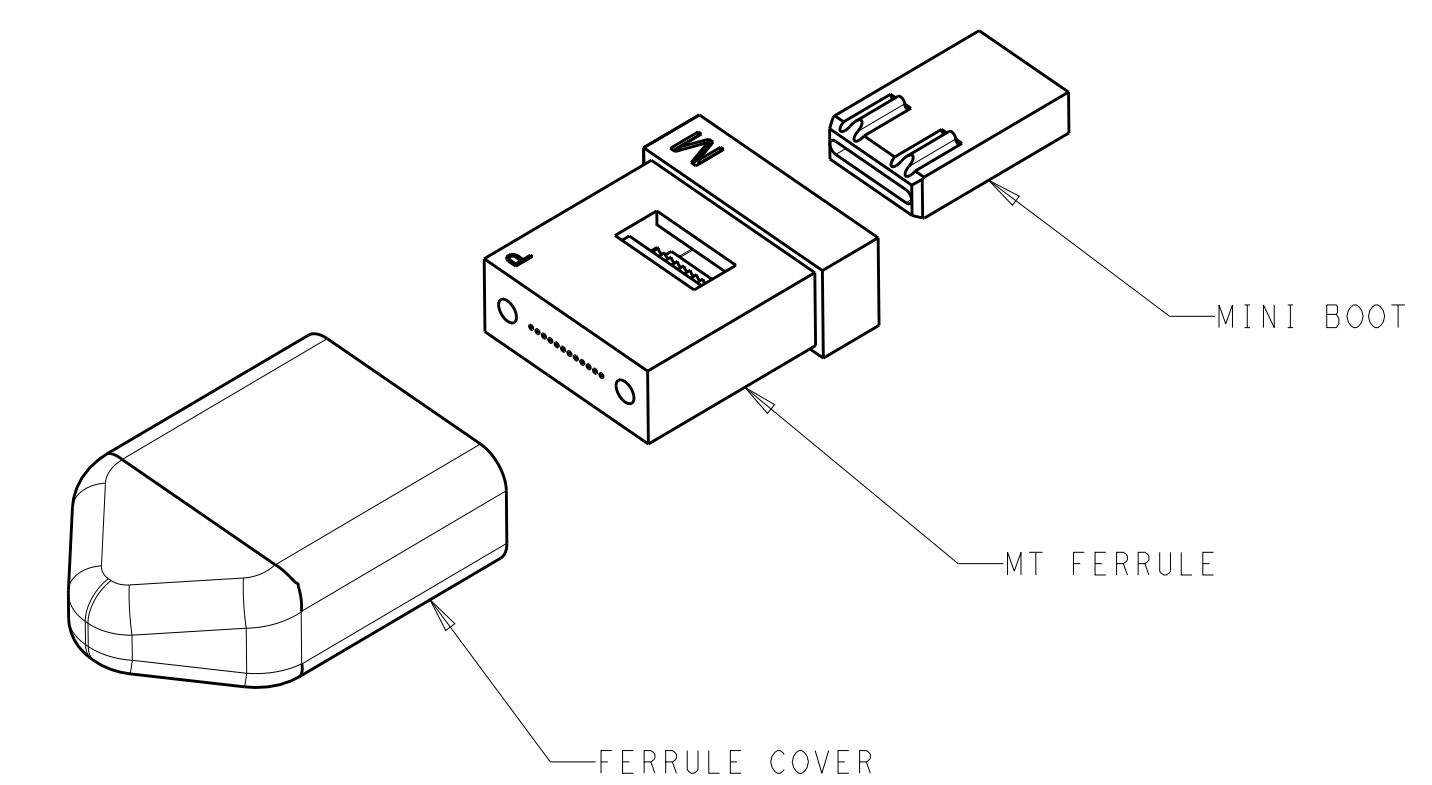
REVISIONS				
P.	LTN.	DESCRIPTION	DATE	APVD.
A		RELEASED PER ECO 16-008512	6-9-16	CT DW



ASSEMBLED VIEW



**RECOMMENDED BACKPLANE FOOTPRINT
(SEE VITA 67.3 MODULE C FIGURE 6.1.3.2-1)**
SCALE 4:1



MT FERRULE KIT (SOLD SEPARATELY)

- 1 MATERIAL:
CONNECTOR BODY & HARDWARE: STAINLESS STEEL
MT FIBER INSERT: ALUMINUM ALLOY
SMPM CONTACTS: BERYLLIUM COPPER
OSMM CONTACTS: STAINLESS STEEL
INSULATORS: TEFLON
- 2 FINISH:
CONNECTOR BODY & HARDWARE: PASSIVATED
MT FIBER INSERT: CLEAR CHROMATE
SMPM CONTACTS: GOLD OVER NICKEL
OSMM CONTACTS: PASSIVATED
- 3 PART NUMBER AND DATE CODE MARKING.
- 4 UNASSEMBLED FIBER-OPTIC COMPONENT KITS ARE AVAILABLE SEPARATELY, 2102866-1.

2828775-1
PART NO

THIS DRAWING IS A CONTROLLED DOCUMENT.		OWN: J. MILLER 25JAN2016	TE Connectivity
DIMENSIONS: mm		CHK: C. YI 25JAN2016	
TOLERANCES UNLESS OTHERWISE SPECIFIED:		APVD: C. YI 25JAN2016	NAME: CONNECTOR KIT RECEPTACLE(BACKPLANE) RF OSMM/OPTIC COMBO VITA 67.3 MODULE C COMPATIBLE
0 PLC ±	1 PLC ±	2 PLC ±0.13	PRODUCT SPEC
3 PLC ±0.013	4 PLC ±	ANGLES ±	APPLICATION SPEC
MATERIAL: 1	FINISH: 2	WEIGHT	SIZE: A1
CUSTOMER DRAWING		SCALE: 4:1	SHEET 1 OF 1 REV A

X-ON Electronics

Largest Supplier of Electrical and Electronic Components

Click to view similar products for [Fibre Optic Connectors](#) category:

Click to view products by [TE CONNECTIVITY](#) manufacturer:

Other Similar products are found below :

[0004700001](#) [6100-R](#) [6313](#) [F709034706](#) [F709722200](#) [F709730000](#) [F718183204](#) [F727403500](#) [F727752800](#) [8119](#) [9440F20-27S-190](#) [944-120-6001](#) [9441F10SL-3S](#) [9444W28-21S](#) [9444W36-10S](#) [9446F10SL-4S](#) [9446W20-16S](#) [953-101-5310-P](#) [954-101-57202B](#) [A0270169](#) [12-9122](#) [12-5702](#) [AX101713](#) [AX102420](#) [AX103923](#) [AX104024](#) [AX104193](#) [AX104230](#) [AX104562](#) [AX105203-B25](#) [AX105205-S1](#) [EHSC2M](#) [181-011-126](#) [181-011-S](#) [181-057-126](#) [HRFC-R2\(40\)](#) [NKSOPBUY](#) [20500002116](#) [2064996-1](#) [20800001065](#) [2170](#) [9132](#) [2612](#) [2620](#) [9291](#) [9440F16-10S](#) [9440F20-18S](#) [9442W14S-10P](#) [9446F16-10S-190](#) [953-106-50231](#)