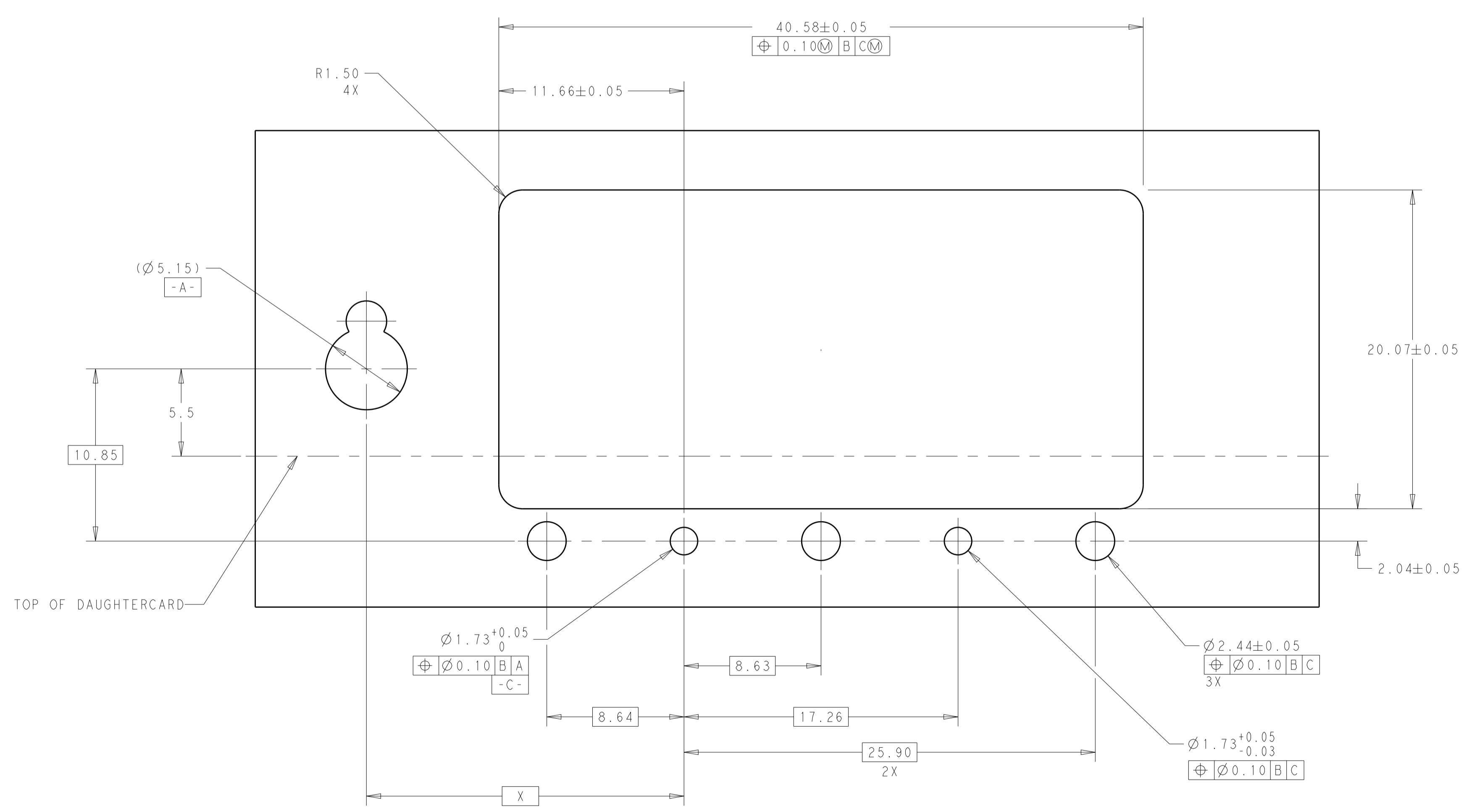
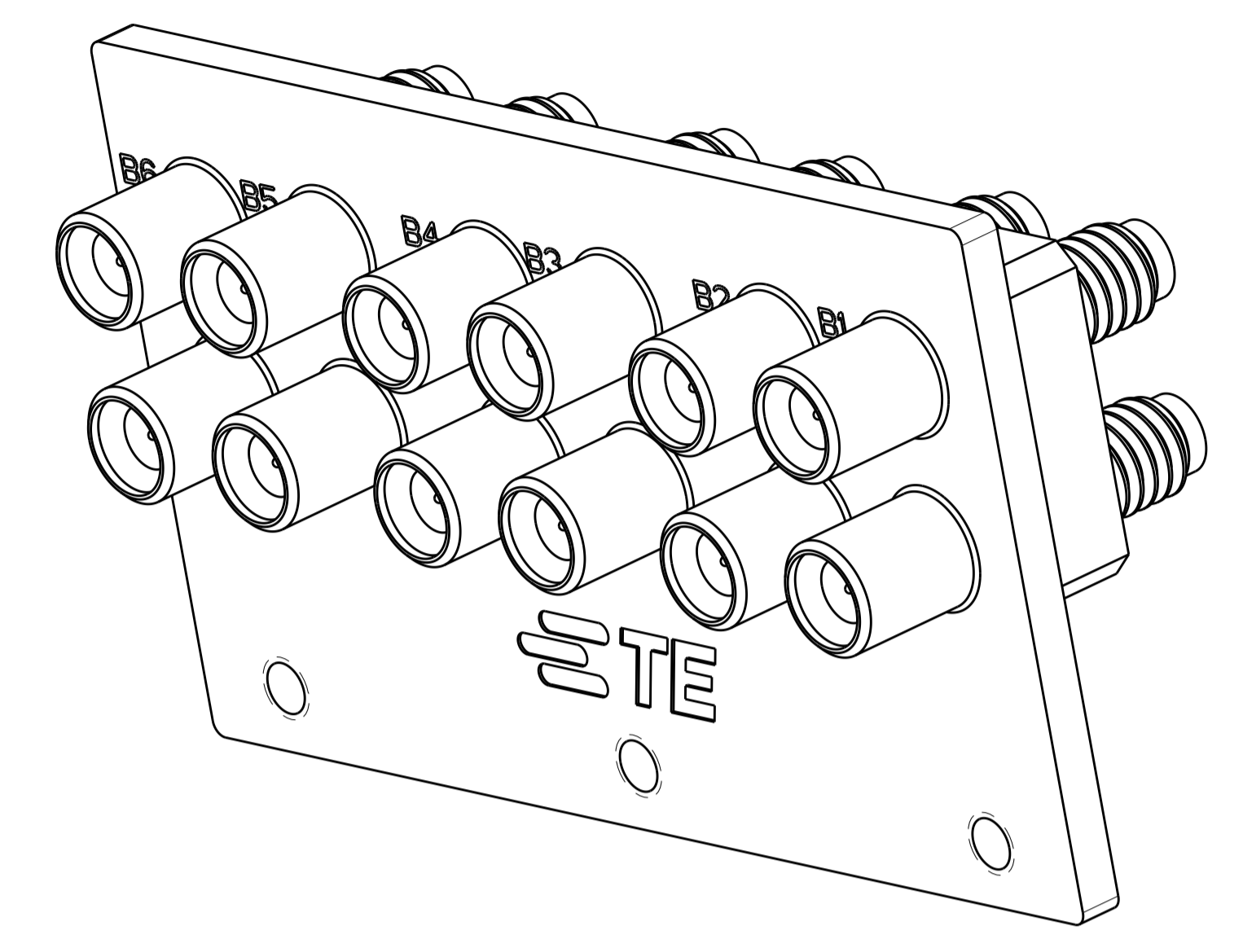
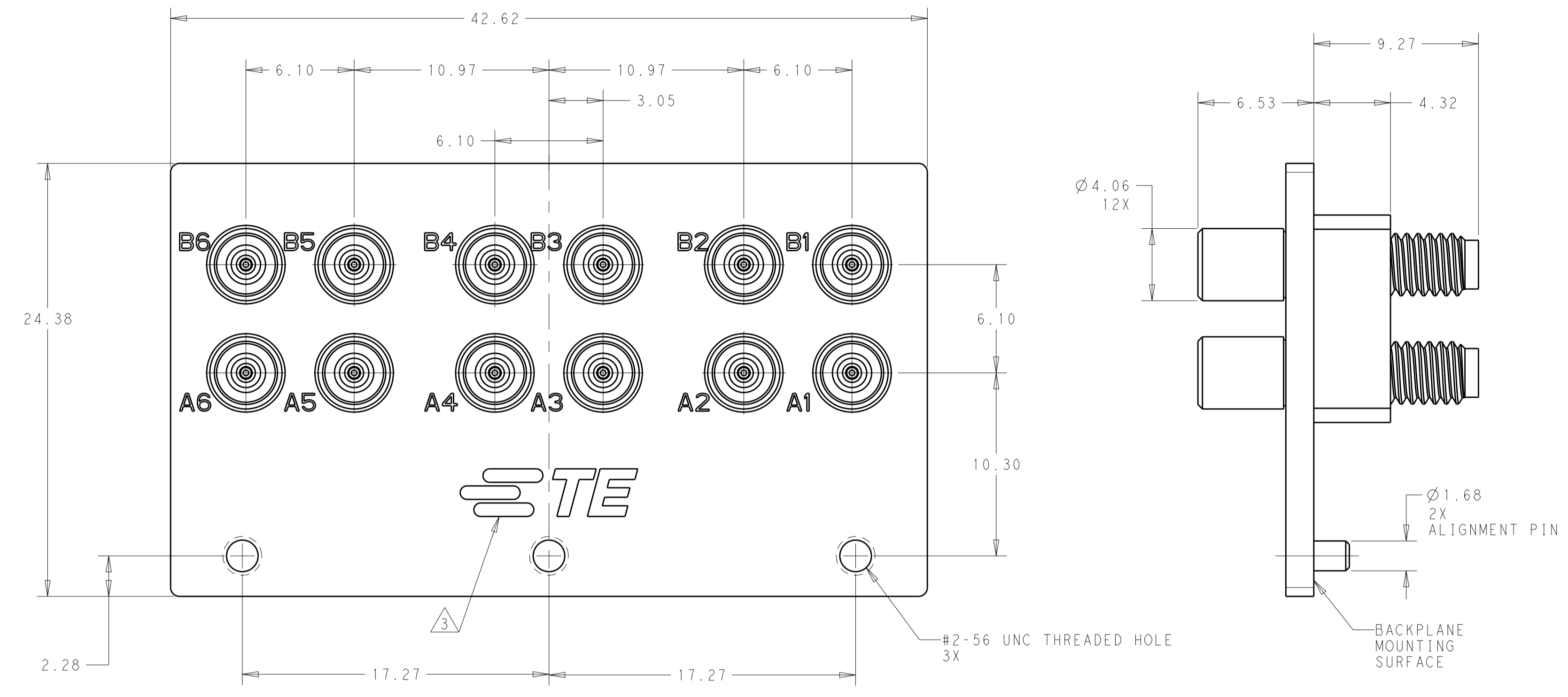


REVISIONS				
P.	LTN.	DESCRIPTION	DATE	APP'D.
A		RELEASED PER ECO 16-008512	6-9-16	CT DW



- 1 MATERIAL:  
 CONNECTOR BODY: STAINLESS STEEL  
 SMPM CONTACTS: BERYLLIUM COPPER  
 INSULATORS: TEFLON  
 OSM CONTACTS: STAINLESS STEEL
- 2 FINISH:  
 CONNECTOR BODY: PASSIVATED  
 SMPM CONTACTS: GOLD OVER NICKEL  
 OSM CONTACTS: PASSIVATED
- 3 PART NUMBER AND DATE CODE MARKING

**RECOMMENDED BACKPLANE CUT OUT**  
 (SEE VITA 67.3, MODULE "E"; FIGURE 6.1.5.2-1)

THIS DRAWING IS A CONTROLLED DOCUMENT.		DWN M. MILLER	26 JAN 2016	TE Connectivity
DIMENSIONS:		CHK C. YI	26 JAN 2016	
mm	TOLERANCES UNLESS OTHERWISE SPECIFIED:	APP'D C. YI	26 JAN 2016	NAME CONNECTOR KIT, RECEPTACLE
	0 PLC ±	PRODUCT SPEC		12 POSITION OSM, VITA 67.3, MODULE E COMPATIBLE
	1 PLC ±	APPLICATION SPEC		SIZE CAGE CODE DRAWING NO
	2 PLC ±0.13	WEIGHT		A100779C=2828777
	3 PLC ±0.013	CUSTOMER DRAWING		RESTRICTED TO
	4 PLC ±	SCALE	5:1	SHEET 1 OF 1
MATERIAL	FINISH	SCALE	5:1	REV A

## X-ON Electronics

Largest Supplier of Electrical and Electronic Components

*Click to view similar products for [Rack & Panel Connectors](#) category:*

*Click to view products by [TE Connectivity](#) manufacturer:*

Other Similar products are found below :

[00171410002](#) [00171420202](#) [00171440002](#) [02-014-013-5200-000](#) [613467-000](#) [CTJ112E01E-513](#) [CTJ116E03A-513](#) [66020-2](#) [CW8958-000](#)  
[699886-000](#) [D250-50632](#) [70.400.3240.0](#) [70.955.2453.3](#) [733753-000](#) [F22831-000](#) [780-522-DPX34RG8-02](#) [8660-501](#) [87.060.0053.0](#)  
[900709N001](#) [928358-1](#) [D-659-0061](#) [1-445717-6](#) [1484469-2](#) [1604997-2](#) [MTC100-BF1-P31CS015](#) [MTC100-KT2-0083](#) [MTC100-KT2-0123-](#)  
[003](#) [MTC100-YA1-005](#) [MTCQKT1R2PGCA](#) [MTCR-103-04S](#) [MTCX1X-100-100CS025](#) [1738331-1](#) [1757667-1](#) [1811481-1](#) [1883433-1](#)  
[201046-7](#) [202648-4](#) [213364-1](#) [226503-000](#) [937028-164](#) [1663130-2](#) [172305-4](#) [AC-660022-701BP](#) [F36711-000](#) [202355-2](#) [202356-2](#) [G16S-A](#)  
[G20S-AB](#) [CHA-0017-003](#) [CHA-0296](#)