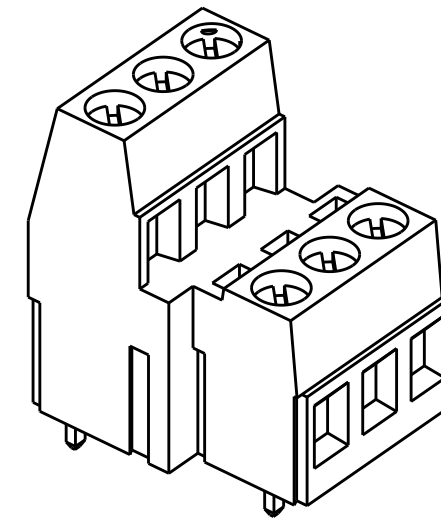
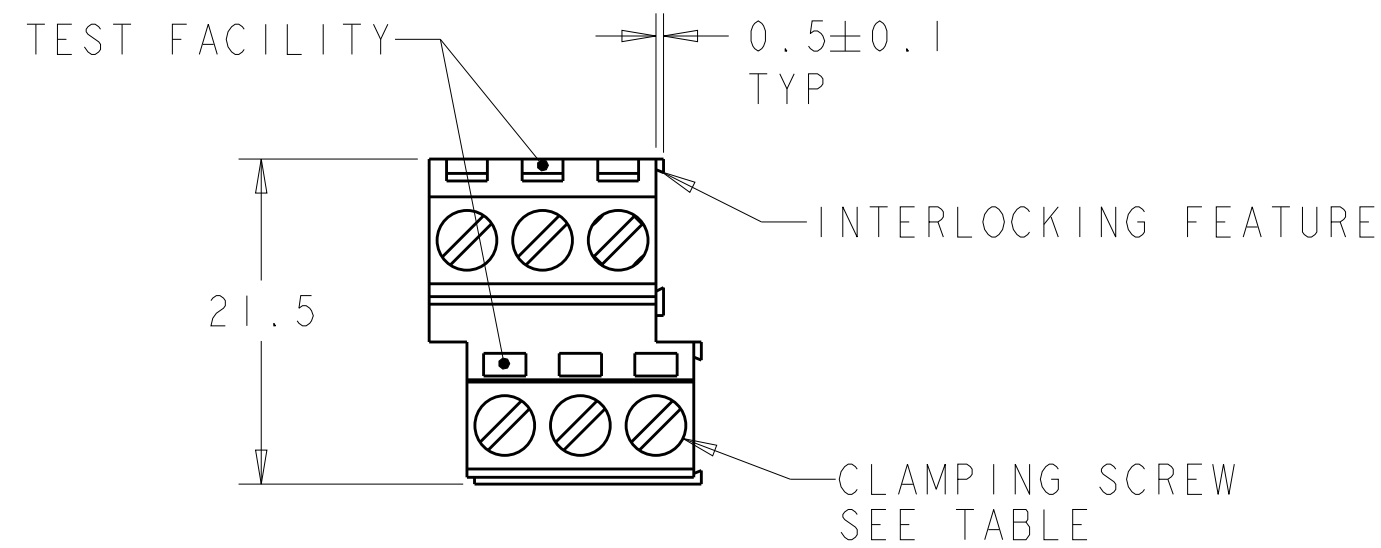
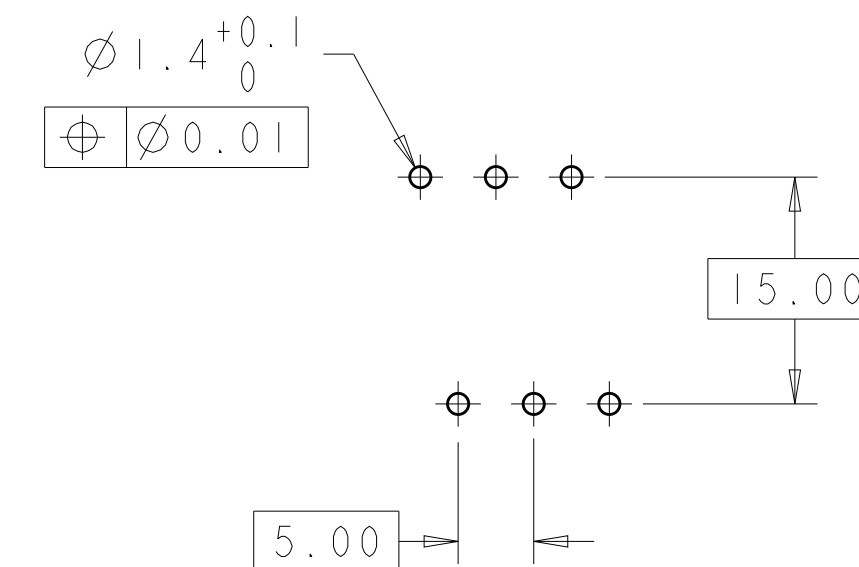


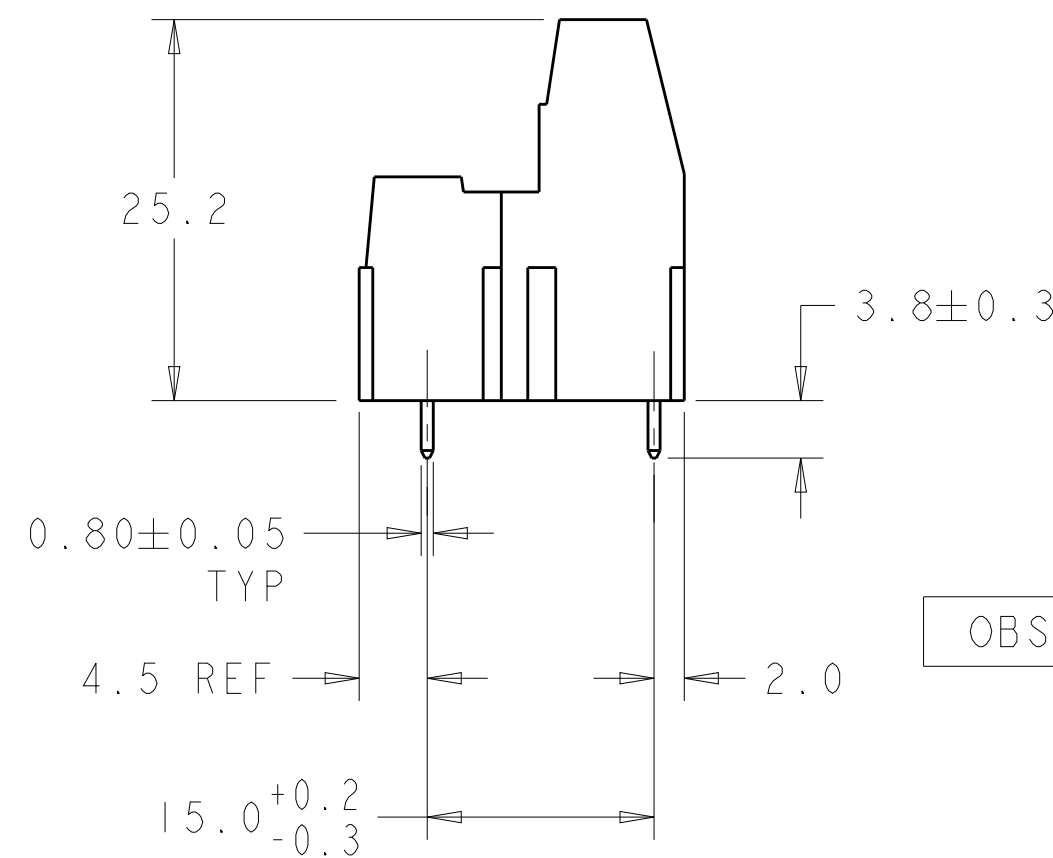
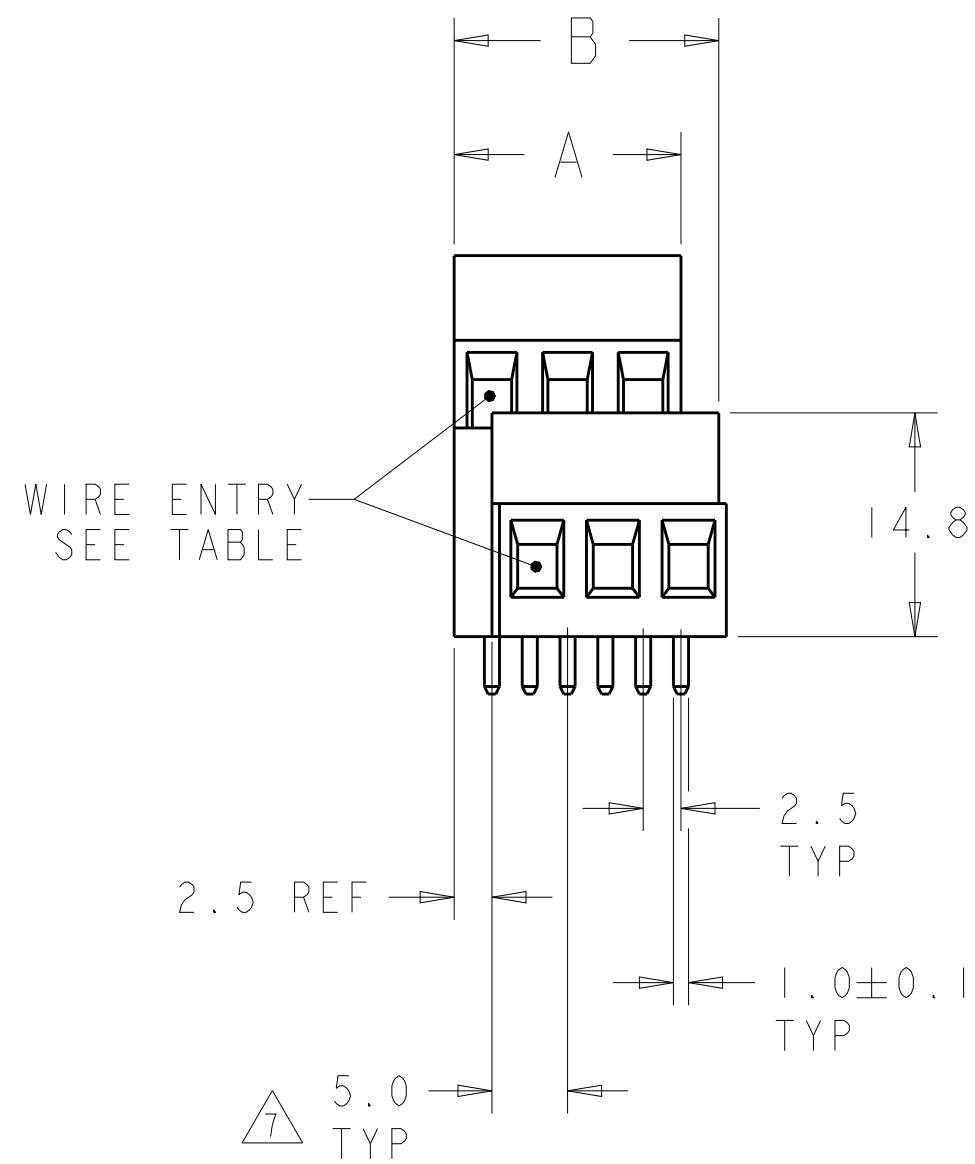
P	LTR	DESCRIPTION	DATE	DWN	APVD
G		REVISED EC 0G3B-0137-04	22MAR2004	SW	CR
G1		ECR-20-002501	06OCT2020	DV	PS



282888-3 AS SHOWN



RECOMMENDED PC BOARD LAYOUT



OBSOLETE

-	-	-	52.5	50.0	10	1-282888-1
-	-	-	42.5	45.0	9	1-282888-0
-	SEE SHT 2	-	47.5	45.0	9	282888-9
-	-	⚠13	17.5	15.0	3	282888-8
-	-	⚠13	47.5	45.0	9	282888-7 ⚠11
SEE SHT 2	-	-	17.5	15.0	3	282888-6
-	SEE SHT 2	-	72.5	70.0	14	282888-5 ⚠10
-	SEE SHT 2	-	97.5	95.0	19	282888-4 ⚠9
-	-	-	17.5	15.0	3	282888-3
-	-	-	12.5	10.0	2	282888-2
WIRE ENTRY	MARKING	CLAMPING SCREWS	B	A	NO. OF POSN	PART NUMBER

THIS DRAWING IS A CONTROLLED DOCUMENT.

DWN S. WELDON 01NOV2000
CHK D. BIEVENOUR 01NOV2000
APVD D. BIEVENOUR 01NOV2000

STE TE Connectivity

NAME: TERMINAL BLOCK, PCB MOUNT
1ST AND 2ND LEVEL, STACKING
W/INTERLOCK, 5.00mm PITCH

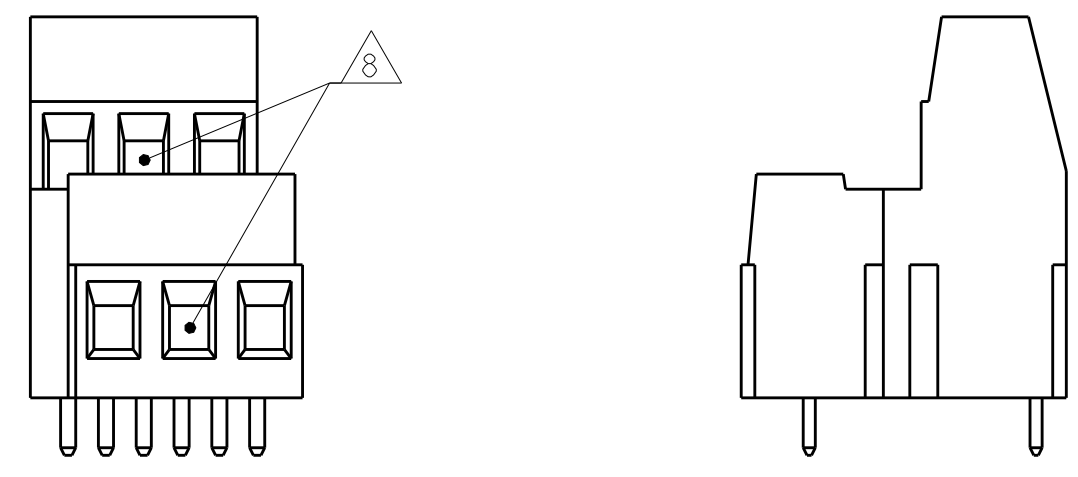
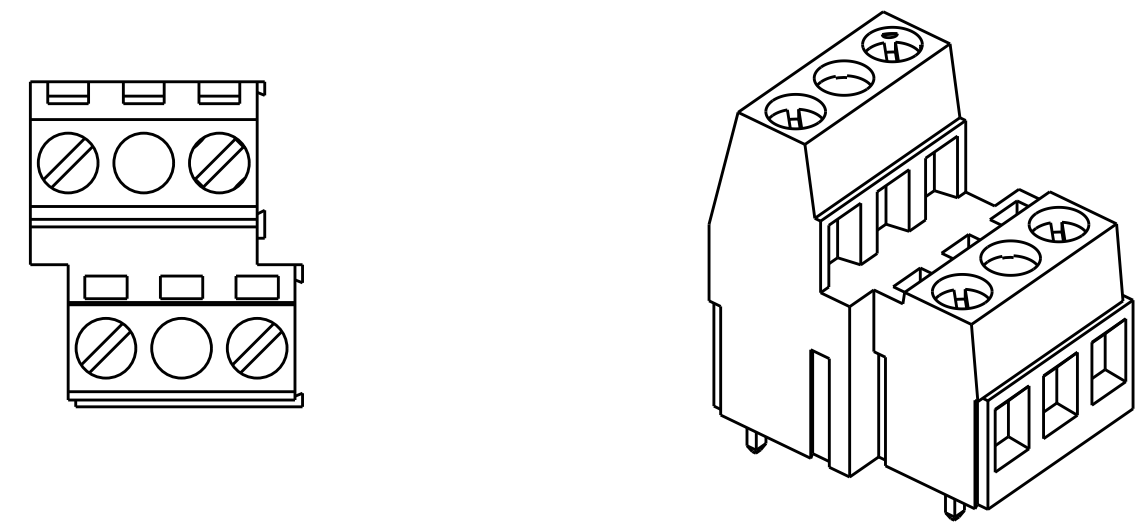
SIZE: A2 CAGE CODE: 00779 DRAWING NO: C-282888 RESTRICTED TO: -

MATERIAL: ⚠1 TOLERANCES UNLESS OTHERWISE SPECIFIED: 0 PLC ±- 1 PLC ±.3 2 PLC ±.25 3 PLC ±- 4 PLC ±- ANGLES ±2 FINISH ⚠1

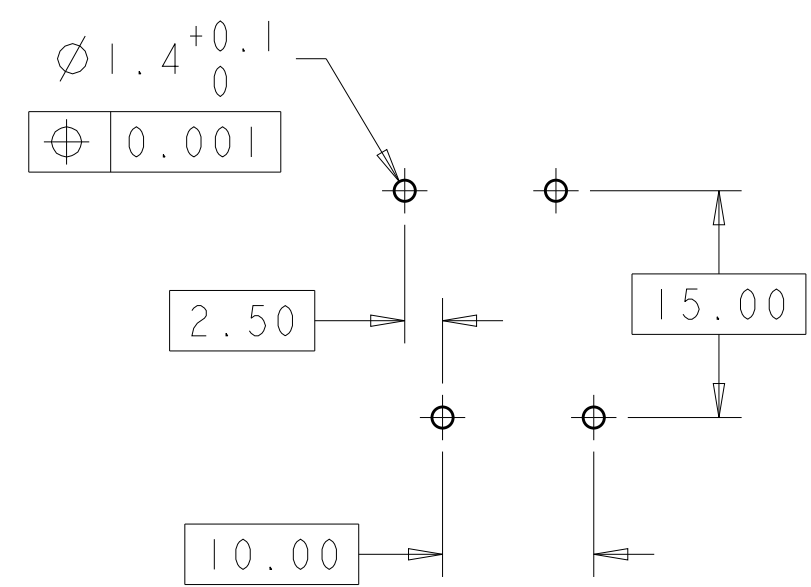
PRODUCT SPEC: - APPLICATION SPEC: - WEIGHT: -

CUSTOMER DRAWING SCALE: 1:1 SHEET: 1 OF 3 REV: G1

REVISIONS				
P	LTR	DESCRIPTION	DATE	APVD
-		SEE SHEET 1	-	-

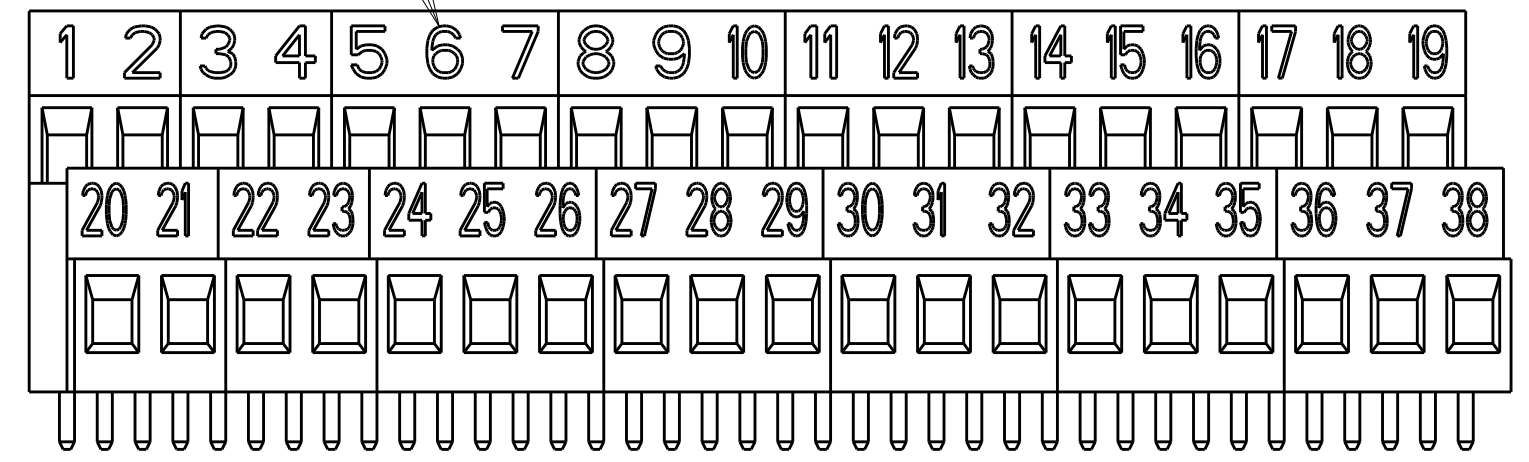


282888-6 AS SHOWN



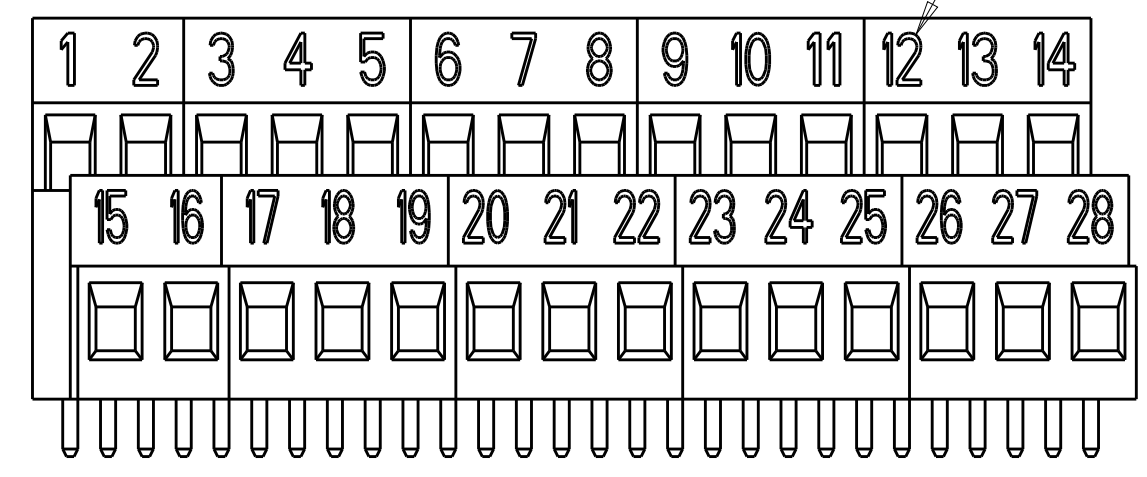
RECOMMENDED PC BOARD LAYOUT

CAVITY ID
INK MARKED WHITE



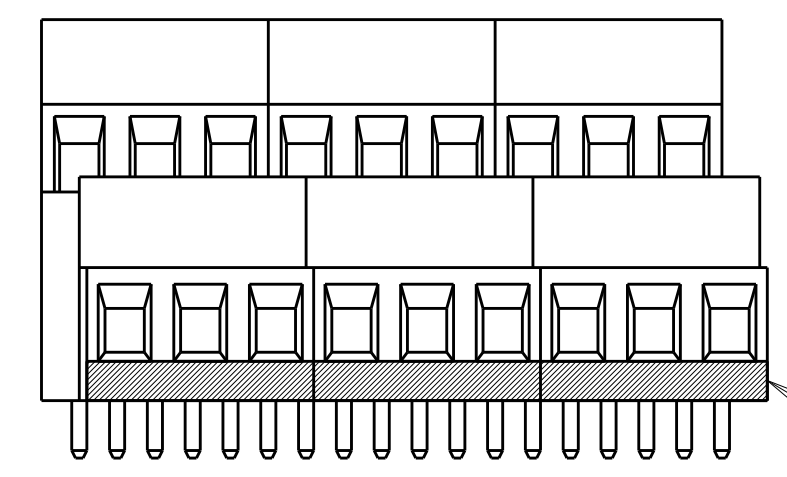
282888-4 AS SHOWN

CAVITY ID
INK MARKED WHITE



282888-5 AS SHOWN

LINE
INK MARKED WHITE




282888-9 AS SHOWN

THIS DRAWING IS A CONTROLLED DOCUMENT.		DWN S. WELDON 01NOV2000	STE TE Connectivity	
DIMENSIONS: mm		CHK D. BIEVENOUR 01NOV2000		
TOLERANCES UNLESS OTHERWISE SPECIFIED: 0 PLC ±.3 1 PLC ±.25 2 PLC ±.25 3 PLC ±. 4 PLC ±. ANGLES ±2 FINISH		APVD D. BIEVENOUR 01NOV2000	NAME TERMINAL BLOCK, PCB MOUNT 1ST AND 2ND LEVEL, STACKING W/INTERLOCK, 5.00mm PITCH	
MATERIAL		PRODUCT SPEC -	SIZE A2	CAGE CODE 00779
		APPLICATION SPEC -	DRAWING NO C-282888	RESTRICTED TO -
		WEIGHT -	SCALE 2:1 SHEET 2 OF 3 REV G1	
		CUSTOMER DRAWING		

REVISIONS				
P	LTR	DESCRIPTION	DATE	APVD
-		SEE SHEET 1	-	-

- 1. MATERIALS AND FINISH
HOUSING: PA 6-6, UL 94-V0.
COLOR: GREEN.
CLAMP: BRASS, NICKEL PLATED.
TERMINAL: BRASS, TIN PLATED.
CLAMPING SCREW: M3, BRASS, NICKEL PLATED.
- 2. SUITABLE FOR 1,6-2,4mm PC BOARD THICKNESS.
- 3. END-TO-END STACKABLE W/INTERLOCK WITHOUT LOSS OF CENTERLINE SPACING.
- 4. WIRE SIZE RANGE
12-30 AWG
- 5. RECOGNIZED UNDER THE COMPONENT PROGRAM OF UNDERWRITERS LABORATORIES INC., FILE N° E60677.
- 6. IMQ CERTIFICATE WITH SURVEILLANCE IN CONFORMITY WITH IEC 998-1/998-2-1.
- 7. NOT CUMULATIVE TOLERANCE.
- 8. BLOCKED CAVITY, COLOR: RED.
- 9. 282888-4 OBTAINED BY ASSEMBLING (5) 282888-3 AND (2) 282888-2 END TO END.
- 10. 282888-5 OBTAINED BY ASSEMBLING (4) 282888-3 AND (1) 282888-2 END TO END.
- 11. 282888-7 OBTAINED BY ASSEMBLING AND GLUING TOGETHER (3) 282888-3 END TO END.
- 12. INK MARKING, COLOR: WHITE.
- 13. CLAMPING SCREWS IN TORQUED DOWN POSITION.

THIS DRAWING IS A CONTROLLED DOCUMENT.		DWN S. WELDON 01NOV2000	 TE Connectivity	
DIMENSIONS: mm		CHK D. BIEVENOUR 01NOV2000		
TOLERANCES UNLESS OTHERWISE SPECIFIED: 0 PLC ±- 1 PLC ±.3 2 PLC ±.25 3 PLC ±- 4 PLC ±- ANGLES ±2		APVD D. BIEVENOUR 01NOV2000	NAME TERMINAL BLOCK, PCB MOUNT 1ST AND 2ND LEVEL, STACKING W/INTERLOCK, 5.00mm PITCH	
MATERIAL		PRODUCT SPEC -	SIZE A200779	CAGE CODE C-282888
FINISH		APPLICATION SPEC -	DRAWING NO C-282888	RESTRICTED TO -
		WEIGHT -	SCALE 1:1 SHEET 3 OF 3 REV G1	
		CUSTOMER DRAWING		

X-ON Electronics

Largest Supplier of Electrical and Electronic Components

Click to view similar products for [Fixed Terminal Blocks](#) category:

Click to view products by [TE Connectivity](#) manufacturer:

Other Similar products are found below :

[MBE-1512](#) [MBE-154](#) [MBE-156](#) [MBES-153](#) [MBES-156](#) [MH-2512](#) [MHE-132](#) [MHE-163](#) [MI-254 \(35\)](#) [MI-272](#) [880507](#) [MPT-275](#)
[15602-04-08-21](#) [ELM023100](#) [BA311TU](#) [BA411SU](#) [MV-152](#) [MV-252-D](#) [MV-253/NCNOC](#) [MV-254-D](#) [MV-255](#) [MV-462](#) [MV-493](#) [MVE-](#)
[253](#) [MVE-273](#) [MVEB-153](#) [1700096](#) [1705142](#) [1712417](#) [1713020](#) [1713088](#) [1745195](#) [1760594](#) [1776118-2](#) [1790852](#) [1-796689-8](#) [1-796692-6](#)
[1800001](#) [1800114](#) [1995279](#) [20020314-C121B01LF](#) [CB2-12](#) [KP03215000J0G](#) [KP04215000J0G](#) [S451](#) [282802-2](#) [29.007](#) [29.116](#) [30.103](#)
[30.106](#)