

LOC FT DIST 0

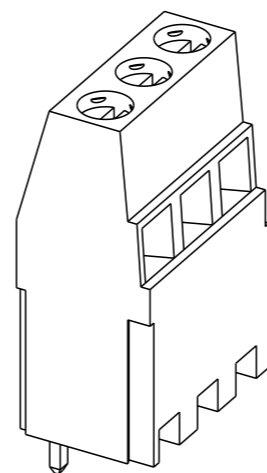
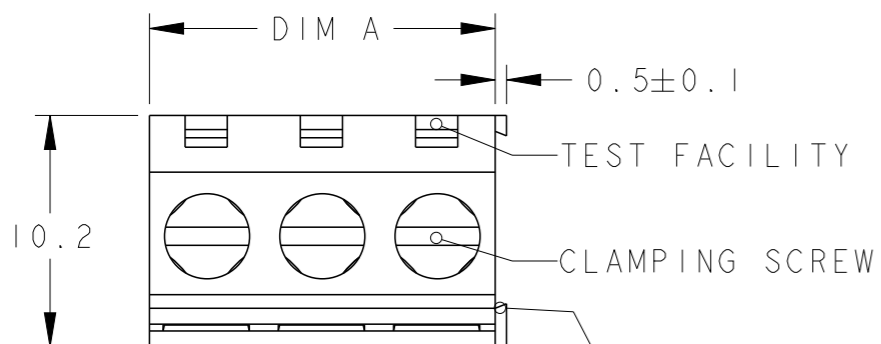
REVISIONS

P	LTR	DESCRIPTION	DATE	DWN	APVD
	C7	DRAFTING ERROR IN WIRE SIZE	30JUL2019	RK	PS

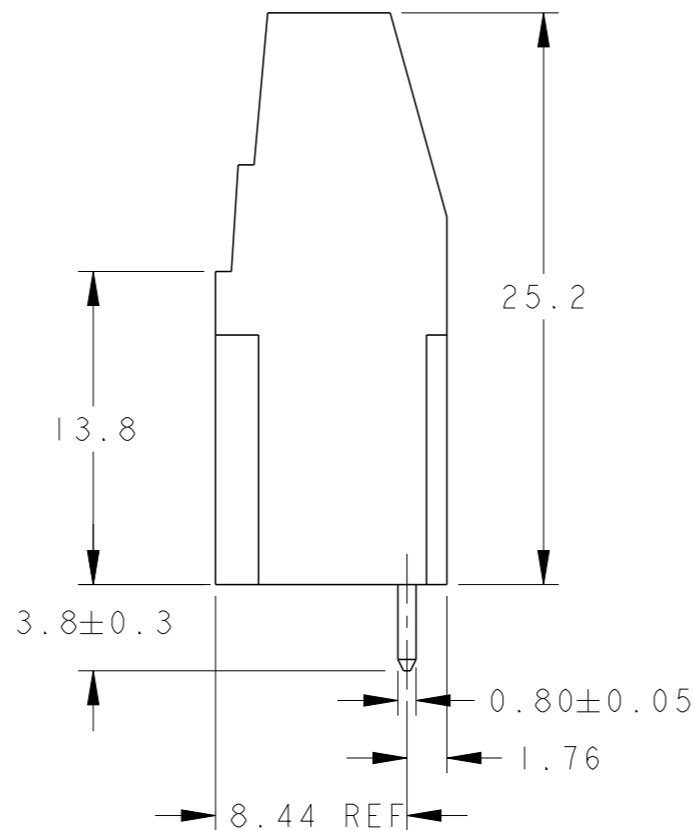
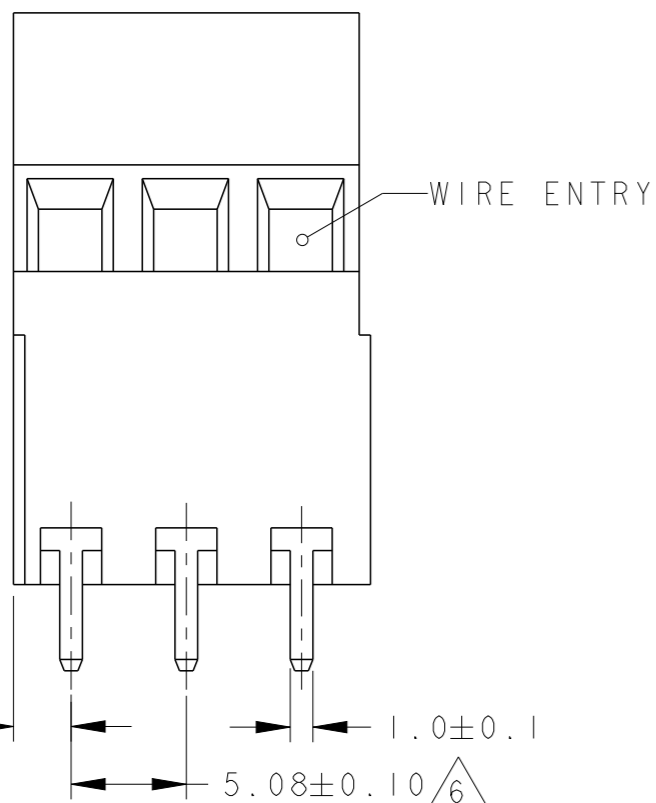
- MATERIALS AND FINISH
HOUSING: PA 66, UL 94-V0, COLOR: SEE TABLE.
CLAMP: COPPER ALLOY, NICKEL PLATED.
TERMINAL: COPPER ALLOY, TIN PLATED.
CLAMPING SCREW: M3, COPPER ALLOY, NICKEL PLATED.
- MECHANICAL:
RECOMENDED TIGHTENING TORQUE : 0.5Nm
WIRE STRIPPING LENGTH : 6.5-7.0mm
MIN. PC BOARD HOLES DIAMETER : 1.4mm
MAX. PC BOARD THICKNESS : 2.4mm
- ELECTRICAL
WIRE RANGE : 12-30 AWG
MAX. VOLTAGE : 300 V
MAX CURRENT : 24 A
CONTACT RESISTANCE : < 15 m Ohm
INSULATION RESISTANCE : > 1000 M Ohm (500V DC)
- OPERATING TEMPERATURE RANGE: -40°C TO +105°C.
- RECOGNIZED UNDER THE COMPONENT PROGRAM OF UNDERWRITERS LABORATORIES INC., FILE NO E60677.

- 6 NOT CUMULATIVE TOLERANCE.
- 7 INK MARKING BLACK COLOR, SEE DETAIL FOR MARKING.
- 8 PRELIMINARY PART NUMBER
- 9 SECTION GLUED USING CYANOLIT 241F OR TE ENGINEERING APPROVED EQUIVALENT.

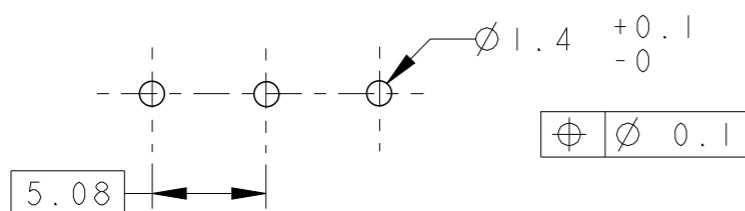
	COLOR	DIM.A	NO OF POS.	PART NUMBER	
8	-	BLACK	121.92	24	2-282901-4
7	SEE DETAIL F	GREEN	76.20	15	2-282901-3
7	SEE DETAIL E	GREEN	60.96	12	2-282901-2
7	SEE DETAIL D	GREEN	106.68	21	2-282901-1
7	SEE DETAIL C	GREEN	76.20	15	2-282901-5
8	-	BLACK	91.44	18	1-282901-8
9/7	SEE DETAIL B	GREEN	60.96	12	1-282901-2
		GREEN	15.24	3	282901-3
		GREEN	10.16	2	282901-2




282901-3 AS SHOWN SCALE 2:1



RECOMMENDED PC BOARD LAYOUT



THIS DRAWING IS A CONTROLLED DOCUMENT.		DWN 07NOV2001 E. ZANOLINI	 TE Connectivity	
DIMENSIONS: mm		CHK 07NOV2001 D. BIEVENOUR		
TOLERANCES UNLESS OTHERWISE SPECIFIED:		APVD 07NOV2001 D. BIEVENOUR	NAME TERMINAL BLOCK, PCB MOUNT 2ND LEVEL STACKING W/INTERLOCK, PITCH 5.08mm.	
0 PLC ± 1 PLC ±0.3 2 PLC ±0.25 3 PLC ± 4 PLC ±		PRODUCT SPEC -	SIZE CAGE CODE DRAWING NO RESTRICTED TO	
ANGLES ±2°		APPLICATION SPEC -	A300779 C-282901	
FINISH SEE NOTES		WEIGHT -	SCALE 3:1 SHEET 1 OF 2 REV C7	
MATERIAL SEE NOTES		CUSTOMER DRAWING		

THIS DRAWING IS UNPUBLISHED.

RELEASED FOR PUBLICATION

20

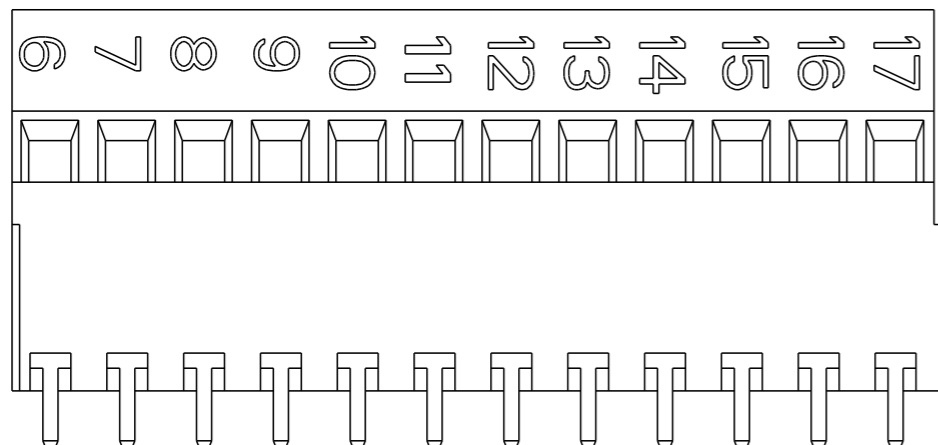
© COPYRIGHT 20

ALL RIGHTS RESERVED.

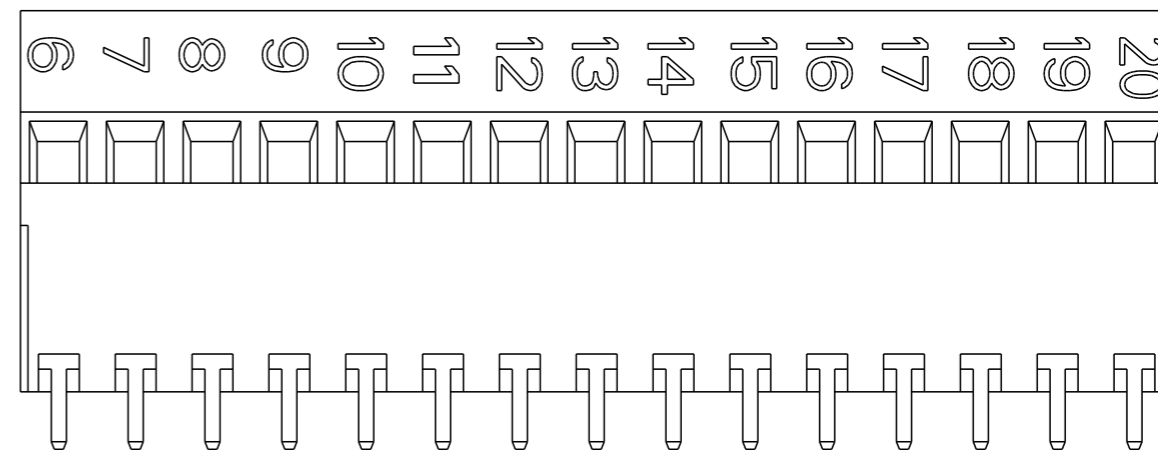
LOC	DIST
FT	0

REVISIONS

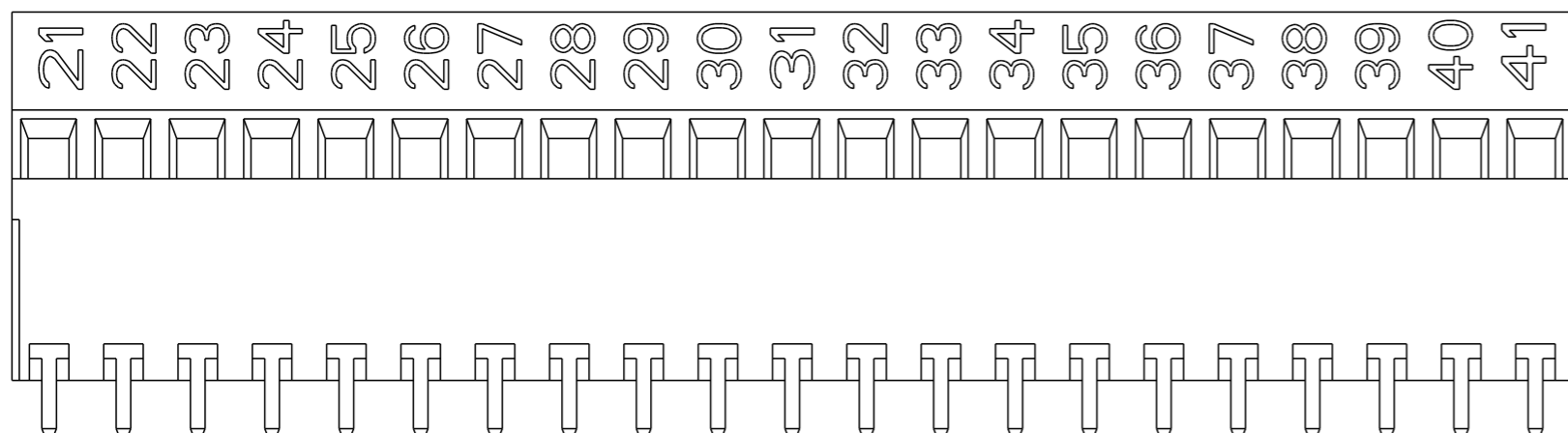
P	LTR	DESCRIPTION	DATE	DWN	APVD
-	-	SEE SHEET 1	-	-	-



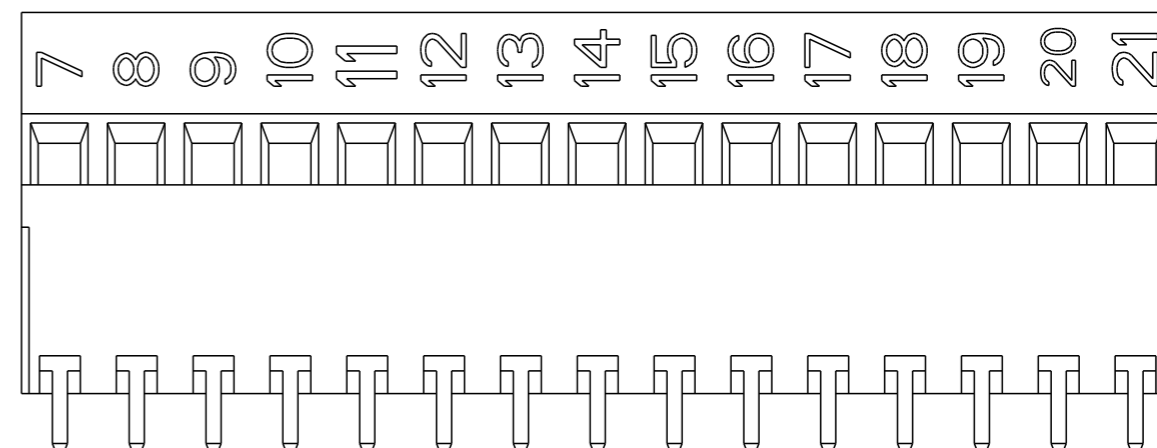
DETAIL B
SCALE 2:1



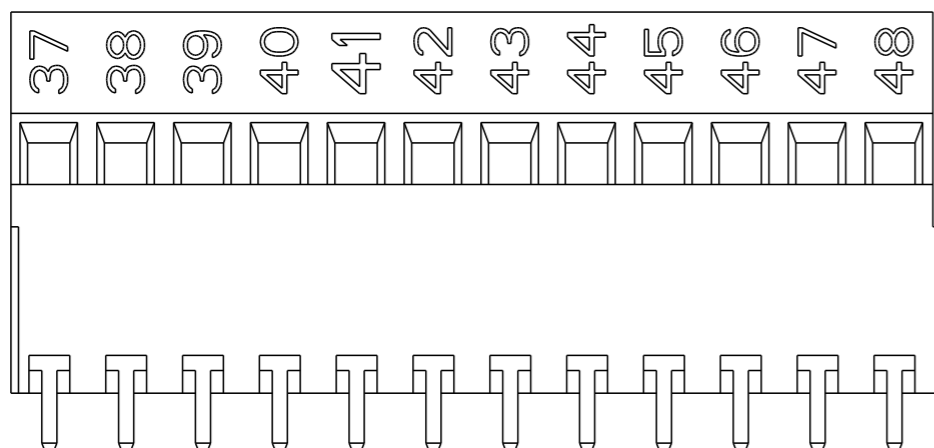
DETAIL C
SCALE 2:1



DETAIL D
SCALE 2:1



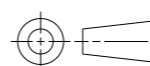
DETAIL E
SCALE 2:1



DETAIL F
SCALE 2:1

THIS DRAWING IS A CONTROLLED DOCUMENT.

DIMENSIONS:
mm



TOLERANCES UNLESS OTHERWISE SPECIFIED:

- 0 PLC ±0.3
- 1 PLC ±0.25
- 2 PLC ±0.25
- 3 PLC ±0.25
- 4 PLC ±0.25
- ANGLES ±2°
- FINISH SEE NOTES

MATERIAL SEE NOTES

FINISH SEE NOTES

DWN 07NOV2001

E. ZANOLINI

CHK 07NOV2001

D. BIEVENOUR

APVD 07NOV2001

D. BIEVENOUR

PRODUCT SPEC

-

APPLICATION SPEC

-

WEIGHT

-

CUSTOMER DRAWING



TE Connectivity

NAME
TERMINAL BLOCK, PCB MOUNT
2ND LEVEL STACKING W/INTERLOCK,
PITCH 5.08mm.

SIZE	CAGE CODE	DRAWING NO	RESTRICTED TO
------	-----------	------------	---------------

A300779	C-282901		
---------	----------	--	--

SCALE 3:1	SHEET 2 OF 2	REV C7
-----------	--------------	--------

X-ON Electronics

Largest Supplier of Electrical and Electronic Components

Click to view similar products for [Fixed Terminal Blocks](#) category:

Click to view products by [TE Connectivity](#) manufacturer:

Other Similar products are found below :

[MBE-1512](#) [MBE-154](#) [MBE-156](#) [MBES-153](#) [MBES-156](#) [MH-2512](#) [MHE-132](#) [MHE-163](#) [MI-254 \(35\)](#) [MI-272](#) [880507](#) [MPT-275](#)
[15602-04-08-21](#) [ELM023100](#) [BA311TU](#) [BA411SU](#) [MV-152](#) [MV-252-D](#) [MV-253/NCNOC](#) [MV-254-D](#) [MV-255](#) [MV-462](#) [MV-493](#) [MVE-](#)
[253](#) [MVE-273](#) [MVEB-153](#) [1700096](#) [1705142](#) [1712417](#) [1713020](#) [1713088](#) [1745195](#) [1760594](#) [1776118-2](#) [1790852](#) [1-796689-8](#) [1-796692-6](#)
[1800001](#) [1800114](#) [1995279](#) [20020314-C121B01LF](#) [CB2-12](#) [KP03215000J0G](#) [KP04215000J0G](#) [S451](#) [282802-2](#) [29.007](#) [29.116](#) [30.103](#)
[30.106](#)