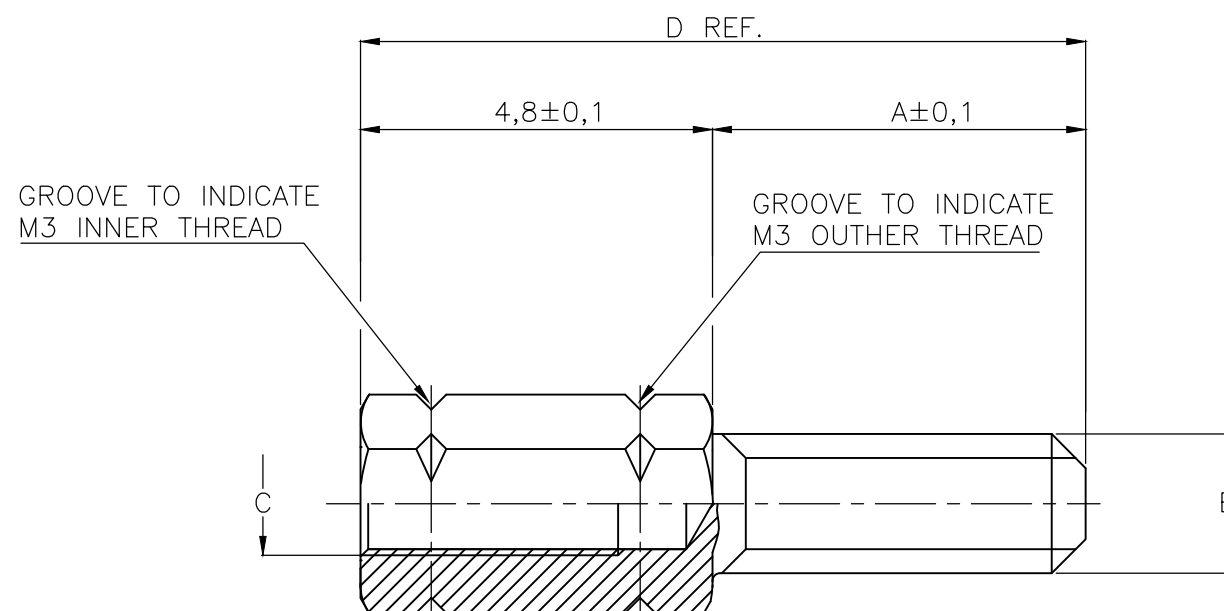
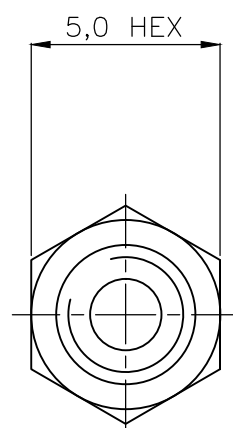


THIS DRAWING IS UNPUBLISHED. RELEASED FOR PUBLICATION
 © COPYRIGHT - By - ALL RIGHTS RESERVED.

REVISIONS				
P	LTR	DESCRIPTION	DATE	APVD
	K	REVISED PER ECO-16-011204	29AUG2016	AP DG



	DIM "D"	DIM "C"	DIM "B"	DIM "A"	FINISH	MATERIAL	PART NUMBER
1	10,8	4-40 UNC	4-40 UNC	6,0	TINPLATED	BRASS	3-829261-0
1	10,8	M3	4-40 UNC	5,0			2-829261-8
	9,8	4-40 UNC	M3	5,0			2-829261-6
		M3	M3	5,0			2-829261-4
	9,8	4-40 UNC	4-40 UNC	5,0			2-829261-2
1		19,0	M3	4-40 UNC			14,2
	19,0	4-40 UNC	M3	14,2			1-829261-6
		M3	M3	14,2			1-829261-4
1	19,0	4-40 UNC	4-40 UNC	14,2			1-829261-2
	12,7	M3	4-40 UNC	7,9			829261-8
		4-40 UNC	M3	7,9	829261-6		
1		12,7	M3	M3	7,9	829261-4	
		4-40 UNC	4-40 UNC	7,9	829261-2		

1 OBSOLETE PARTS: OBSOLETE CIS STREAMLINING
 PER D.RENAUD/D.SINISI

THIS DRAWING IS A CONTROLLED DOCUMENT.		DWN D.KESSLER 02APR91	TE Connectivity SCREWLOCK, FEMALE HD-SERIES				
DIMENSIONS: mm		CHK C.V.TILBURG 23APR91					
TOLERANCES UNLESS OTHERWISE SPECIFIED:		APVD L.V.SOEST 25APR91					
0 PLC ± - 1 PLC ± 0,2 2 PLC ± - 3 PLC ± - 4 PLC ± - ANGLES ± -		PRODUCT SPEC					
MATERIAL		APPLICATION SPEC	NAME	SIZE	CAGE CODE	DRAWING NO	RESTRICTED TO
FINISH		WEIGHT	A300779		C-829261		-
CUSTOMER DRAWING			SCALE	NTS	SHEET	1 OF 1	REV K

X-ON Electronics

Largest Supplier of Electrical and Electronic Components

Click to view similar products for [D-Sub Tools & Hardware](#) category:

Click to view products by [TE Connectivity](#) manufacturer:

Other Similar products are found below :

[173112-0667](#) [173112-0759](#) [173112-0967](#) [173112-0291](#) [173112-0456](#) [000-01-09-132](#) [000-01-21-132](#) [000-01-31-162](#) [572019-00105-70](#)
[000-01-37-162](#) [621-250-113-115](#) [D20418-2R](#) [D20418-J3F](#) [70521CLF](#) [70524BLF](#) [70527BLF](#) [70527CLF](#) [F1042-1PLAH](#) [750643-1](#) [780-010-06G4-00C](#) [780-518-50SG6-WS](#) [863004ATLF](#) [86552009](#) [86553115TLF](#) [86553117TLF](#) [86553156LF](#) [FSGK1/5](#) [980-8554-000](#) [980-8555-000](#)
[980-8557-000](#) [980-8558-000](#) [1230032-1](#) [1-5021101-2](#) [15-000050](#) [1589283-4](#) [160-000-005R031](#) [16-000230](#) [160-020-109R000](#) [160-025-004R031](#) [160-015-003R031](#) [160-020-209R000](#) [160X10909X](#) [164C03939A](#) [177-505-A-2-2](#) [177-505-C-4-4](#) [179-013-1H](#) [1-966830-8](#) [21018-621028-3](#) [213622-5](#)