

SCALA NON IMPEGNATIVA
(DO NOT SCALE)
DIMENSIONI IN mm
(DIMENSIONS IN mm)

METRIC

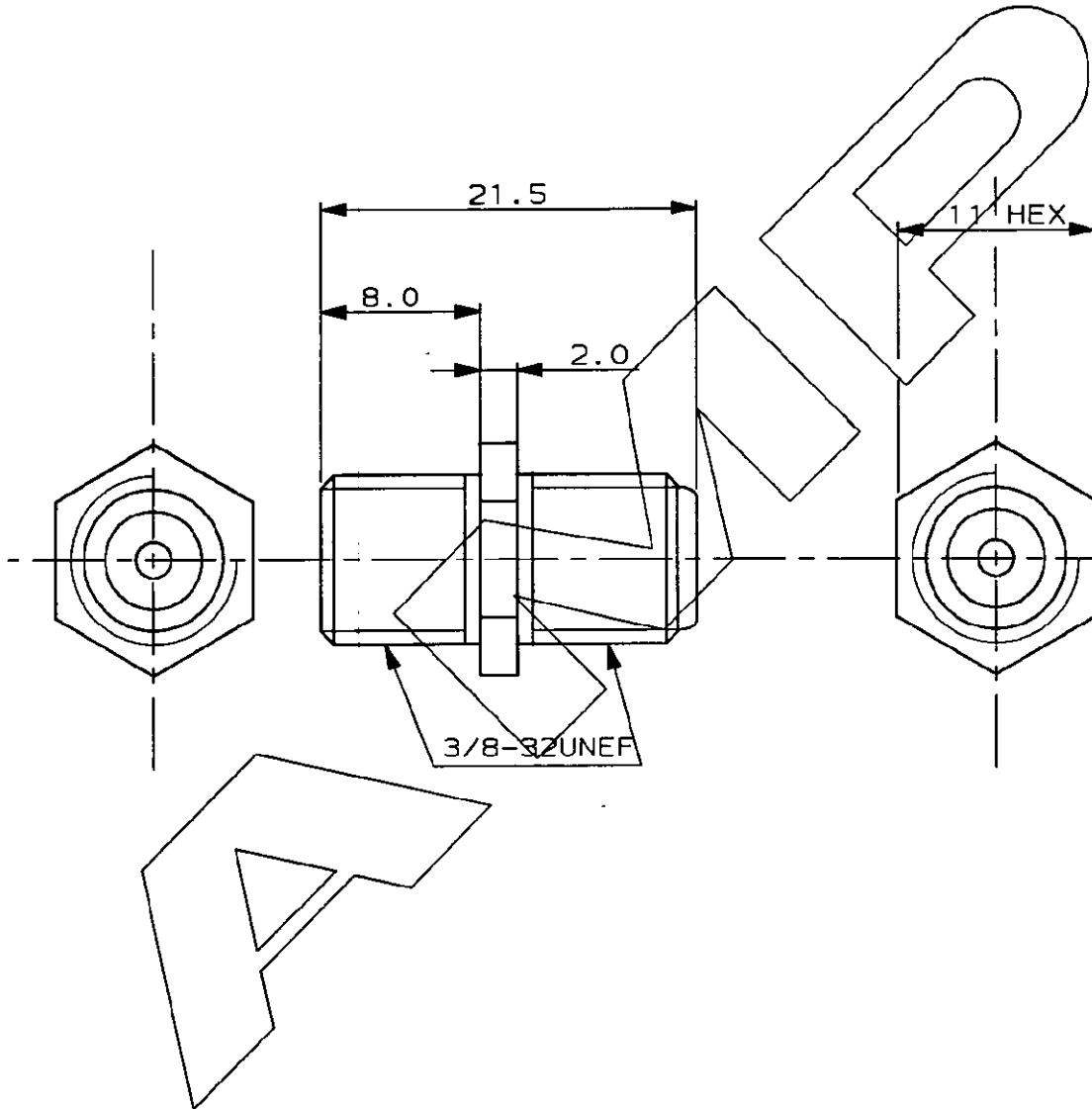
PROIEZIONE EUROPEA
(EUROPEAN PROJECTION)

A

B

C

D



- 1) PERFORMANCE AS PER AMP SPEC. 108-20168
- 2) P/N 282938-1: 100 PIECES FOR BAG

P/N 282938-2 AS SHOWN

E

CUSTOMER DRAWING
FOR REFERENCE ONLY

DISEGNO PER CLIENTE
SOLO PER RIFERIMENTO

THIS DRAWING IS UNPUBLISHED | RELEASE FOR PUBLICATION 19

© COPYRIGHT 19 BY AMP INCORPORATED, HARRISBURG, PA. ALL INTERNATIONAL RIGHT RESERVED. AMP PRODUCTS MAY BE COVERED BY U.S. AND FOREIGN PATENT AND/OR PATENT PENDING

TOLLERANZE, SE NON DIVERSAMENTE SPECIFICATO
(TOLERANCES, UNLESS OTHERWISE SPECIFIED)

± 0.3

ANGOLI (ANGLES) ± 2°

DIAM. ISOLANTE (INS. DIA. RANGE)

RANGO FILO (WIRE RANGE)

SCALA (SCALE)

2.5:1

AMP

AMP ITALIA S.p.A.
Corso F.lli Cervi, 15
COLLEGNO (TORINO)

DIS. 16 MAY 96 (DR.) M. COLOMBO

DESCRIZIONE (DESCRIPTION)

FEMALE/FEMALE "F" SPLICE

B RELEASED, ET00-0475-96

A FIRST ISSUE, ET00-0216-96

REV. REVISIONI (REVISION RECORD)

DIS DATA (DR) (DATE)

CONT. 16 MAY 96 (CHK) L. MARCHITTO

APP. 16 MAY 96 (APP.) C. MARTINS

LOC. SIZE NUMERO (DWG NO)

I A4 C-282938

REV.

B

FOGLIO (SHEET)

1 DI (OF) 1

DISTRIBUZIONE (PRINT DIST.)

X-ON Electronics

Largest Supplier of Electrical and Electronic Components

Click to view similar products for [RF Connector Accessories](#) category:

Click to view products by [TE Connectivity](#) manufacturer:

Other Similar products are found below :

[89674-0712](#) [F702RX24](#) [FERRULE-174](#) [R141802000](#) [R141805000](#) [R141842000](#) [R161862000](#) [R161862000W](#) [R280752000](#) [R280907000](#)
[R694261906](#) [RFI21-13](#) [RFI75-13-D2](#) [RFI75-4-D2](#) [AX102906](#) [AX102907](#) [18097-0013](#) [HP-375](#) [HP-500](#) [2098-0294-00](#) [2098-3251-94](#) [KA-](#)
[81-05](#) [89674-0805](#) [F1](#) [FERRULE-223](#) [202102-11](#) [213337-1](#) [220222-2](#) [24092671A](#) [24092678A](#) [R161841000](#) [R280468000](#) [R280510000](#)
[R282862060](#) [RFI155-1](#) [RFI25-12-D3](#) [RFI25-5](#) [RFI25-5-D3](#) [RFI75-12-D2](#) [RFI75-2-D2](#) [RFI75-4-D3](#) [RFI77-6](#) [360HS001M2508M6](#) [4-](#)
[1532137-4](#) [5-21085-0](#) [105274-1000](#) [111062-0490](#) [112122-SOD-LUG](#) [112-NUT-KNURL](#) [IPP-2014](#)