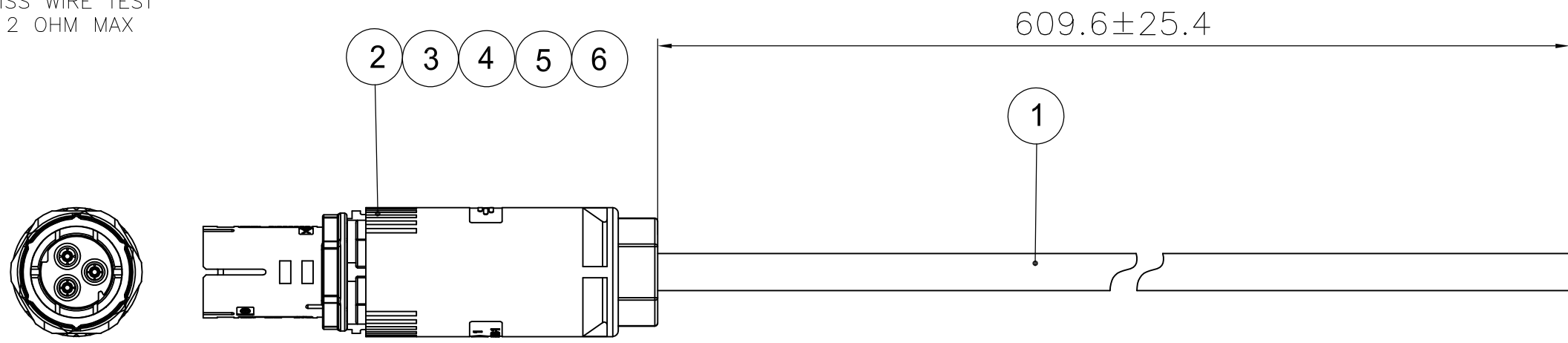


THIS DRAWING IS UNPUBLISHED. RELEASED FOR PUBLICATION
 © COPYRIGHT - By - ALL RIGHTS RESERVED.

| LOC | DIST | REVISIONS | | | | | |
|-----|------|-----------|-----|-----------------|-----------|-----|------|
| GP | 00 | P | LTR | DESCRIPTION | DATE | DWN | APVD |
| | | A | | INITIAL DRAWING | 26AUG2015 | DM | DM |

NOTES:

- EACH ITEM AND ASSEMBLY MUST COMPLY WITH EUROPEAN REDUCTION OF HAZARDOUS SUBSTANCES (RoHS) REGULATION. UNDER DIRECTIVE 2011/65/EU AND HARMONIZED STANDARD EN 50581:2012.
- DO NOT SOLDER CONTACT, CRIMP ONLY
- IDENTIFY POSITION PE, LOADING POSITIONER PE TO SOCKET PE
- PE CONTACT CIRCUIT IDENTIFIED BY EXTENDED LENGTH POLARIZED "KEY"
- ELECTRICAL TEST:
 100% OPEN SHORT&MISS WIRE TEST
 CONTACT RESISTANCE: 2 OHM MAX



| WIRING SCHEME | |
|----------------------------|-------|
| CONNECTOR HOUSING (ITEM 2) | WIRE |
| PE/ | GREEN |
| N | WHITE |
| L | BLACK |

2829464-1
 TE P/N

| QTY | UoM | DESCRIPTION | ITEM |
|-------|-----|---|------|
| 1 | PC | Cable Ring Nut 11-14mm OD | 6 |
| 1 | PC | Cable Clamp/Seal Assembly 11-14mm OD | 5 |
| 1 | PC | Contact/Positioner Assembly | 4 |
| 2 | PC | 14 AWG Socket Contacts | 3 |
| 1 | PC | Socket Housing Assembly | 2 |
| 0.661 | M | Cable SE00W 14/3 STD UL GENERAL CABLE 89073 | 1 |

| | | | | |
|--|--|------------------------------------|---|---------------|
| THIS DRAWING IS A CONTROLLED DOCUMENT. | | DWN T.BURZYŃSKI 25MAY2015 | TE Connectivity SEALED 3 POS SOCKET - STD UL | |
| DIMENSIONS: mm | | CHK A.V.ZANDVOORT 25MAY2015 | | |
| | | APVD A.V.ZANDVOORT 25MAY2015 | NAME | |
| TOLERANCES UNLESS OTHERWISE SPECIFIED: | | PRODUCT SPEC | | |
| 0 PLC ± 0,5 1 PLC ± 0,5 2 PLC ± 0,5 3 PLC ± - 4 PLC ± - ANGLES ± 2° | | APPLICATION SPEC | | |
| MATERIAL | | WEIGHT | SIZE | RESTRICTED TO |
| - | | - | A3 00779 | - |
| FINISH | | DRAWING NO | | SCALE |
| - | | C-2829464 | | NTS |
| CUSTOMER DRAWING | | | SHEET | REV |
| | | | 1 OF 1 | A |

X-ON Electronics

Largest Supplier of Electrical and Electronic Components

Click to view similar products for [Lighting Cables](#) category:

Click to view products by [TE Connectivity](#) manufacturer:

Other Similar products are found below :

[CL2-EXTEND](#) [96CB-E0605HAA1](#) [ZWF-915-J](#) [68801-4899](#) [68801-2112](#) [68801-2123](#) [68801-4124](#) [68801-4752](#) [68801-4850](#) [ZFS-CH144-12I](#) [96CB-E0405PCA3](#) [96CB-E0405PIC3](#) [96CB-E0605HAB1](#) [SSL11-J2LJ0-022A04](#) [CNXBE4218](#) [1-2058943-7](#) [1-2058943-8](#) [1-2083075-2](#) [1-2083080-1](#) [CNX310-120-X4124](#) [CNX_C_E_4_2_08](#) [CNXBE4118](#) [CNX_310_012_E_4_1_12](#) [2702306](#) [2702307](#) [SSL12-J4FJ0-000001](#) [180888-0405](#) [SSL12-J2LJ0-020F01](#) [180887-0430](#) [1705131](#) [180887-0410](#) [180778-0405](#) [1-2083029-8](#) [SSL12-J4LJ0-020H01](#) [180778-0430](#) [SSL12-P4LP0-M20H01](#) [SSL12-P4LP0-M20F01](#) [SSL12-P2LP0-M20F01](#) [SSL12-J4LJ0-020F01](#) [SSL11-J2LJ0-B22A04](#) [68801-4037](#) [68801-4039](#) [68801-4053](#) [68801-4055](#) [68801-4057](#) [68801-4059](#) [68801-4061](#) [960026](#) [2-2083030-2](#) [4767](#)