

THIS DRAWING IS UNPUBLISHED.

RELEASED FOR PUBLICATION

REVISIONS

© COPYRIGHT - By -

ALL RIGHTS RESERVED.

P	LTR	DESCRIPTION	DATE	DWN	APVD
	B	REVISED PER ECR-16-007103	25JUN2016	GSK	AP

NOTES:

1 EACH ITEM AND ASSEMBLY MUST COMPLY WITH EUROPEAN REDUCTION OF HAZARDOUS SUBSTANCES (RoHS) REGULATION. UNDER DIRECTIVE 2011/65/EU AND HARMONIZED STANDARD EN 50581:2012.

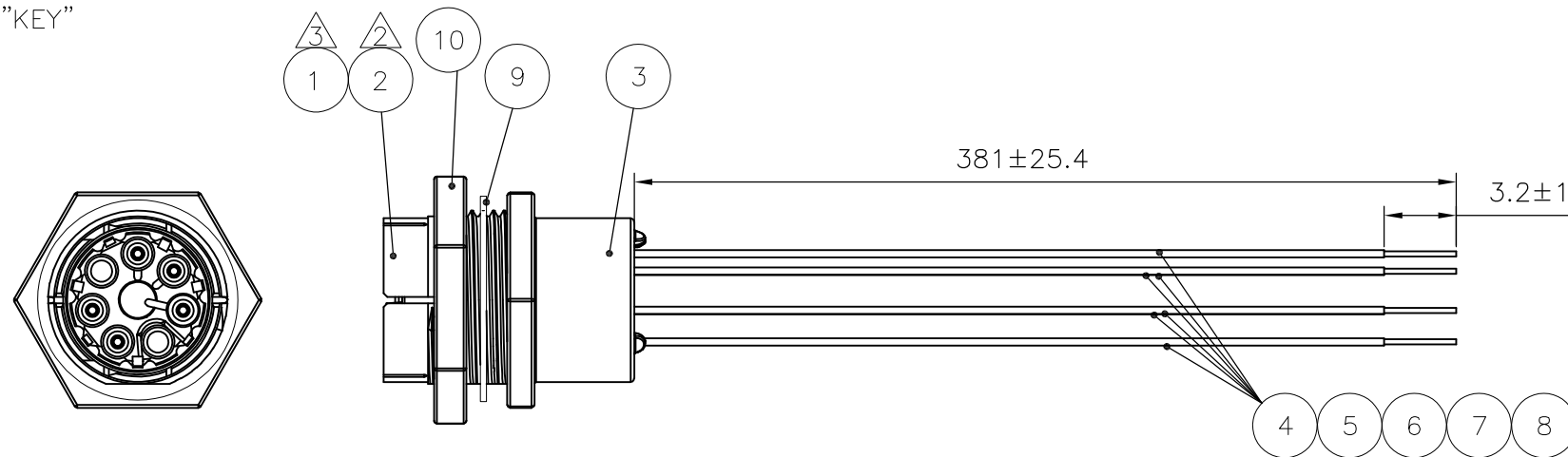
2 DO NOT SOLDER CONTACT, CRIMP ONLY

3 IDENTIFY POSITION PE, LOADING POSITIONER PE TO SOCKET PE

4 PE CONTACT CIRCUIT IDENTIFIED BY EXTENDED LENGTH POLARIZED "KEY"

5 ELECTRICAL TEST:
100% OPEN SHORT&MISS WIRE TEST
CONTACT RESISTANCE: 2 OHM MAX

TE P/N
2829496-1



WIRE DIAGRAM

P1	COLOR
N	BLUE
L1	BROWN
PE	GREEN/YELLOW
L2 (NO PIN)	
S1	BLACK
S2	GRAY
L3 (NO PIN)	

1	PC	PANEL NUT	10
1	PC	PANEL GASKET, SEALED NECTOR M	9
AR	M	WIRE, ELEC, 18 AWG, HARMONIZED BLUE	8
AR	M	WIRE, ELEC, 18 AWG, HARMONIZED BROWN	7
AR	M	WIRE, ELEC, 18 AWG, HARMONIZED GREEN/YELLOW	6
AR	M	WIRE, ELEC, 18 AWG, HARMONIZED BLACK	5
AR	M	WIRE, ELEC, 18 AWG, HARMONIZED GRAY	4
1	PC	SOCKET HOUSING, PANEL, 5P, A CODE SEALED	3
5	PC	SCKT, NECTOR-M, AWG16-AWG18	2
1	PC	CONN, NECTOR-M, POSITIONER, 7P, -2	1
QTY	UoM	DESCRIPTION	ITEM

THIS DRAWING IS A CONTROLLED DOCUMENT.

DWN T.BURZYŃSKI 15JUN2015	TE Connectivity PIGTAIL 5 POS BULKHEAD SOCKET STD HARMONIZED SEALED				
CHK D.E.MCCLURE 15JUN2015					
APVD A.V.ZANDVOORT 15JUN2015					
NAME					
DIMENSIONS: mm	TOLERANCES UNLESS OTHERWISE SPECIFIED:	SIZE	CAGE CODE	DRAWING NO	RESTRICTED TO
 0 PLC ± - 1 PLC ± - 2 PLC ± - 3 PLC ± - 4 PLC ± - ANGLES ± -	FINISH	A3	00779	C-2829496	-
MATERIAL		WEIGHT	CUSTOMER DRAWING		SCALE NTS
			SHEET 1 OF 1		REV B

X-ON Electronics

Largest Supplier of Electrical and Electronic Components

Click to view similar products for [Lighting Cables](#) category:

Click to view products by [TE Connectivity](#) manufacturer:

Other Similar products are found below :

[CL2-EXTEND](#) [96CB-E0605HAA1](#) [ZWF-915-J](#) [68801-4899](#) [68801-2112](#) [68801-2123](#) [68801-4124](#) [68801-4752](#) [68801-4850](#) [ZFS-CH144-12I](#) [96CB-E0405PCA3](#) [96CB-E0405PIC3](#) [96CB-E0605HAB1](#) [SSL11-J2LJ0-022A04](#) [CNXBE4218](#) [1-2058943-7](#) [1-2058943-8](#) [1-2083075-2](#) [1-2083080-1](#) [CNX310-120-X4124](#) [CNX_C_E_4_2_08](#) [CNXBE4118](#) [CNX_310_012_E_4_1_12](#) [2702306](#) [2702307](#) [SSL12-J4FJ0-000001](#) [180888-0405](#) [SSL12-J2LJ0-020F01](#) [180887-0430](#) [1705131](#) [180887-0410](#) [180778-0405](#) [1-2083029-8](#) [SSL12-J4LJ0-020H01](#) [180778-0430](#) [SSL12-P4LP0-M20H01](#) [SSL12-P4LP0-M20F01](#) [SSL12-P2LP0-M20F01](#) [SSL12-J4LJ0-020F01](#) [SSL11-J2LJ0-B22A04](#) [68801-4037](#) [68801-4039](#) [68801-4053](#) [68801-4055](#) [68801-4057](#) [68801-4059](#) [68801-4061](#) [960026](#) [2-2083030-2](#) [4767](#)