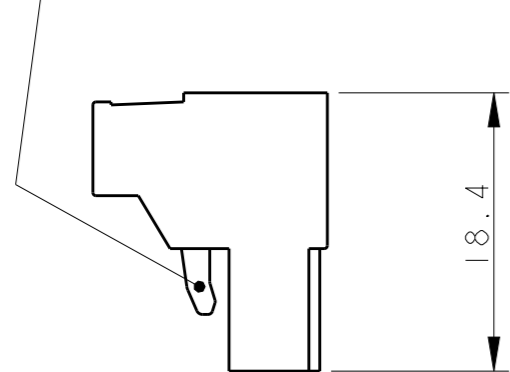


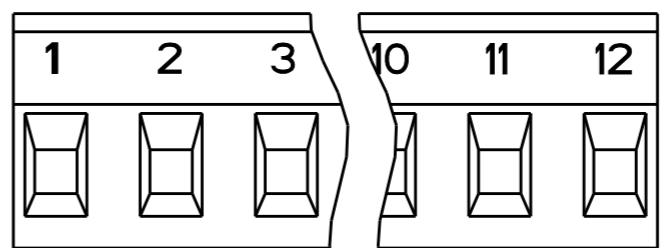
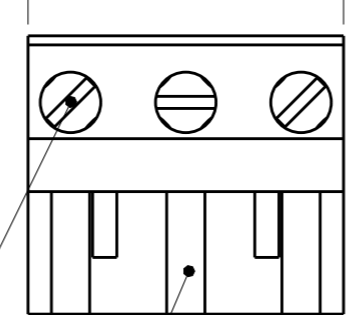
THIS DRAWING IS UNPUBLISHED. RELEASED FOR PUBLICATION 20
© COPYRIGHT 20 ALL RIGHTS RESERVED.

LOC	DIST	REVISIONS				
P	LTR	DESCRIPTION	DATE	DWN	APVD	
FT	0	C4	PN 2-282959-0 RELEASED FOR PRODUCTION	04DEC2018	RK	PS

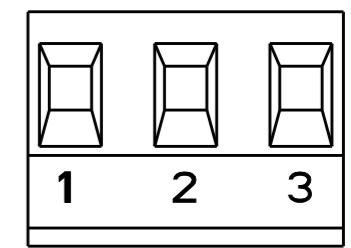
RETENTION LATCH
(DISPOSITIVO DI RITENZIONE)



DIM. A



1-282959-5 AS SHOWN

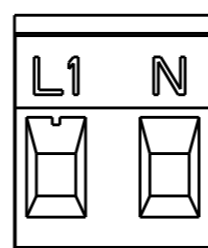


1-282959-6 AS SHOWN

MATING FACE
(LATO DI ACCOPPIAMENTO)

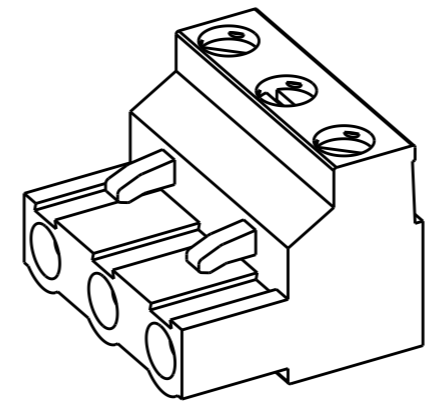
CLAMPING SCREW
(VITE DI SERRAGGIO)

POLARIZATION KEY SLOT
(SEDE PER LINGUETTE DI CODIFICA)



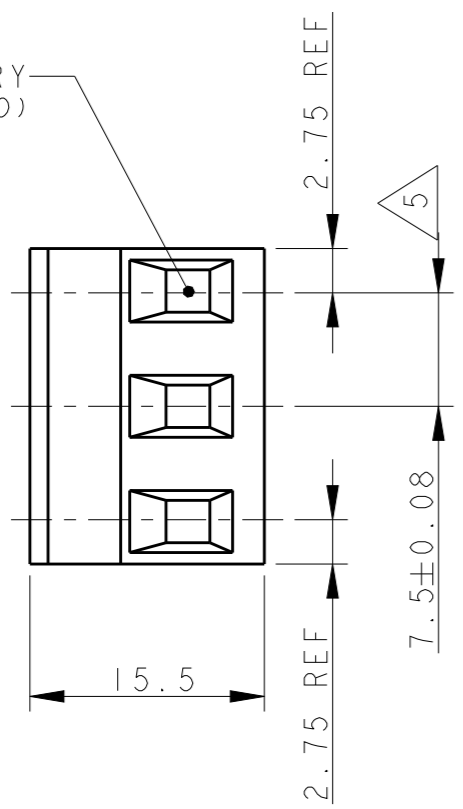
2-282959-0 AS SHOWN

OBSOLETE



282959-3 AS SHOWN

WIRE ENTRY
(INGRESSO CAVO)



AS SHOWN	COLOUR	DIM. A	NO OF POS.	PART NUMBER
AS SHOWN	GREEN	13.0	2	2-282959-0
/	GRAY	20.5	3	1-282959-9
AS SHOWN	GREEN	20.5	3	1-282959-6
AS SHOWN	GREEN	90.0	12	1-282959-5
/	GREEN	73.0	10	1-282959-4
/	BLACK	20.5	3	1-282959-3
/	GREEN	88.0	12	1-282959-2
/	GREEN	80.5	11	1-282959-1
/	GREEN	73.0	10	1-282959-0
/	GREEN	65.5	9	282959-9
/	GREEN	58.0	8	282959-8
/	GREEN	50.5	7	282959-7
/	GREEN	43.0	6	282959-6
/	GREEN	35.5	5	282959-5
/	GREEN	28.0	4	282959-4
/	GREEN	20.5	3	282959-3
/	GREEN	13.0	2	282959-2

THIS DRAWING IS A CONTROLLED DOCUMENT.	
DIMENSIONS: mm	TOLERANCES UNLESS OTHERWISE SPECIFIED: 0 PLC ±- 1 PLC ±0.2 2 PLC ±0.20 3 PLC ±0.001 4 PLC ±0.0001 ANGLES ±2
MATERIAL -	FINISH -

DWN S. SCHLEGEL 25JUN96
CHK R. CANTORE 25JUN96
APVD R. CANTORE 25JUN96
PRODUCT SPEC -
APPLICATION SPEC -
WEIGHT -
CUSTOMER DRAWING

STE TE Connectivity

NAME: TERMINAL BLOCK PLUG, 7.5mm PITCH

SIZE: A300779 CAGE CODE: C-282959 DRAWING NO: - RESTRICTED TO: -

SCALE: 2:1 SHEET 1 OF 2 REV: C4

THIS DRAWING IS UNPUBLISHED.

RELEASED FOR PUBLICATION

20

© COPYRIGHT 20

ALL RIGHTS RESERVED.

LOC
FT

DIST
0

REVISIONS

P	LTR	DESCRIPTION	DATE	DWN	APVD
-		SEE SHEET 1	-	-	-

NOTES:

- MATERIALS AND FINISH
HOUSING: PA 6-6, UL 94-V0.
COLOURS: GRAY, RAL 7032.
 BLACK.
 GREEN.
CLAMP: BRASS, NICKEL PLATED.
DOUBLE SIDE CONTACT SPRING: PHOSPHOR BRONZE, TIN PLATED.
CLAMPING SCREW: M3, BRASS, NICKEL PLATED.
- MECHANICAL
MAX. INSERTION FORCE PER POLE : 3.0 N
MIN. WITHDRAWAL FORCE PER POLE : 1.5 N
WIRE STRIPPING LENGTH : 6.0-7.5 mm
RECOMMENDED TIGHTENING TORQUE FOR SCREW : 0.5 Nm.
- ELECTRICAL
WIRE RANGE : 12-30 AWG
MAX. VOLTAGE : 300 V
MAX CURRENT : 15 A
CONTACT RESISTANCE : <15 m Ohm
INSULATION RESISTANCE : >1000 M Ohm (500V DC)
- RECOGNIZED UNDER THE COMPONENT PROGRAM OF UNDERWRITERS LABORATORIES INC. FILE NO E60677.
- NOT CUMULATIVE TOLERANCE.
- INK MARKING : BLACK COLOUR
NUMERICAL SEQUENCE : FROM LEFT TO RIGHT,
WIRE ENTRY SIDE
- OPERATING TEMPERATURE RANGE: -40°C TO +105°C.

THIS DRAWING IS A CONTROLLED DOCUMENT.		DWN S. SCHLEGEL 25JUN96	STE TE Connectivity	
DIMENSIONS: mm		CHK R CANTORE 25JUN96		
TOLERANCES UNLESS OTHERWISE SPECIFIED:		APVD R CANTORE 25JUN96	NAME TERMINAL BLOCK PLUG, 7.5mm PITCH	
0 PLC ±-		PRODUCT SPEC	-	
1 PLC ±0.2		APPLICATION SPEC	-	
2 PLC ±0.20		WEIGHT	-	
3 PLC ±0.001		CUSTOMER DRAWING	SIZE A3	CAGE CODE 00779
4 PLC ±0.0001		FINISH	DRAWING NO C-282959	RESTRICTED TO
ANGLES ±2		MATERIAL	SCALE 2:1	SHEET 2 OF 2
-			REV C4	

X-ON Electronics

Largest Supplier of Electrical and Electronic Components

Click to view similar products for [Pluggable Terminal Blocks](#) category:

Click to view products by [TE Connectivity](#) manufacturer:

Other Similar products are found below :

[57.510.0053](#) [MC 1.5/ 6-ST-3.5 GY AU](#) [734-104](#) [734-302](#) [8-141-P](#) [8426620000](#) [860505](#) [860516](#) [860810](#) [GBPACX-12](#) [93.731.4953.0](#) [PV05-5,08-K](#) [PVP03-3,50](#) [PVP04-3,50](#) [PVS02-5,00](#) [1-1986160-3](#) [1377680000](#) [1531000000](#) [1546228-5](#) [ELFH16150](#) [ELFP03110](#) [ELFP10210](#) [ELFT06250](#) [ELVP03100](#) [1700101](#) [1700410](#) [1700425](#) [1702246](#) [1705229](#) [1710175](#) [1714537](#) [1717806](#) [1719600](#) [1728941](#) [1734692](#) [1734795](#) [1736036](#) [1740194](#) [1740291](#) [1740628](#) [1740990](#) [1746952](#) [1750207](#) [1752441](#) [1752865](#) [1754115](#) [1754144](#) [1756913](#) [1760051](#) [1760336](#)