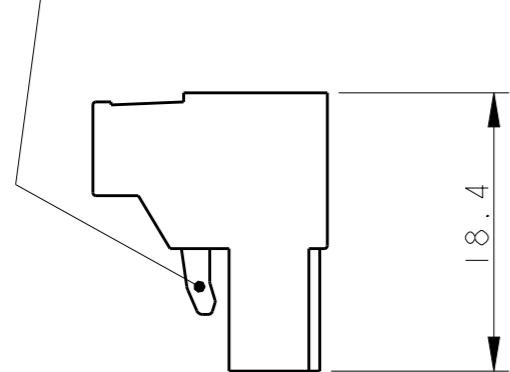


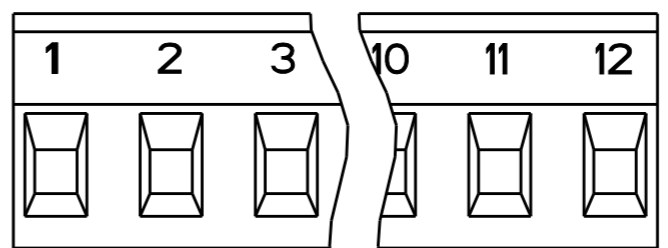
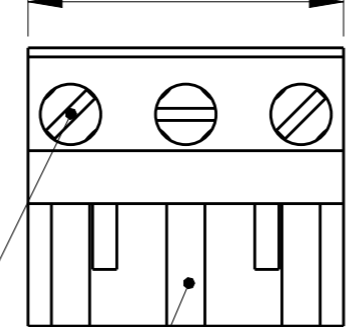
THIS DRAWING IS UNPUBLISHED. RELEASED FOR PUBLICATION 20
 © COPYRIGHT 20 ALL RIGHTS RESERVED.

LOC	DIST	REVISIONS				
P	LTR	DESCRIPTION	DATE	DWN	APVD	
FT	0	C4	PN 2-282959-0 RELEASED FOR PRODUCTION	04DEC2018	RK	PS

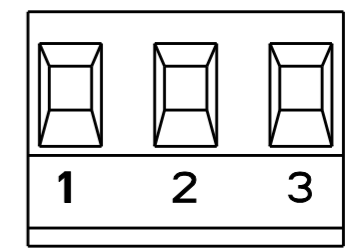
RETENTION LATCH
(DISPOSITIVO DI RITENZIONE)



DIM. A



1-282959-5 AS SHOWN

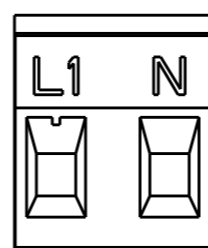


1-282959-6 AS SHOWN

MATING FACE
(LATO DI ACCOPPIAMENTO)

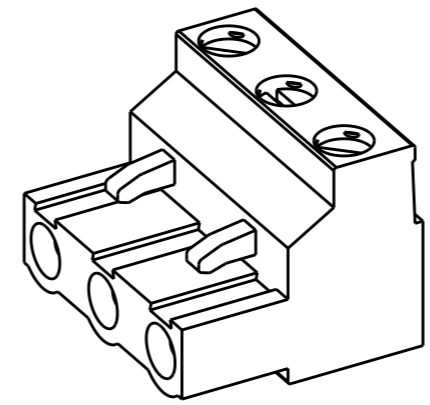
CLAMPING SCREW
(VITE DI SERRAGGIO)

POLARIZATION KEY SLOT
(SEDE PER LINGUETTE DI CODIFICA)



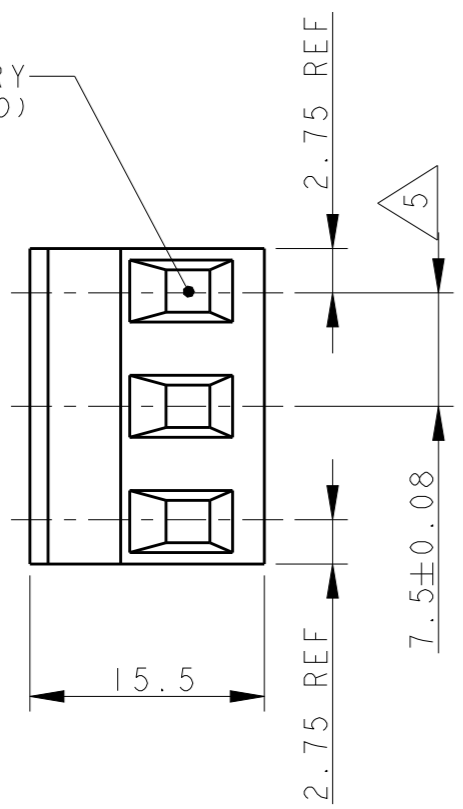
2-282959-0 AS SHOWN

OBSOLETE



282959-3 AS SHOWN

WIRE ENTRY
(INGRESSO CAVO)



AS SHOWN	COLOUR	DIM. A	NO OF POS.	PART NUMBER
AS SHOWN	GREEN	13.0	2	2-282959-0
/	GRAY	20.5	3	1-282959-9
AS SHOWN	GREEN	20.5	3	1-282959-6
AS SHOWN	GREEN	90.0	12	1-282959-5
/	GREEN	73.0	10	1-282959-4
/	BLACK	20.5	3	1-282959-3
/	GREEN	88.0	12	1-282959-2
/	GREEN	80.5	11	1-282959-1
/	GREEN	73.0	10	1-282959-0
/	GREEN	65.5	9	282959-9
/	GREEN	58.0	8	282959-8
/	GREEN	50.5	7	282959-7
/	GREEN	43.0	6	282959-6
/	GREEN	35.5	5	282959-5
/	GREEN	28.0	4	282959-4
/	GREEN	20.5	3	282959-3
/	GREEN	13.0	2	282959-2

THIS DRAWING IS A CONTROLLED DOCUMENT.		DWN S. SCHLEGEL 25JUN96
DIMENSIONS: mm		CHK R. CANTORE 25JUN96
TOLERANCES UNLESS OTHERWISE SPECIFIED:		APVD R. CANTORE 25JUN96
0 PLC	±-	PRODUCT SPEC -
1 PLC	±0.2	APPLICATION SPEC -
2 PLC	±0.20	WEIGHT -
3 PLC	±0.001	CUSTOMER DRAWING
4 PLC	±0.0001	SCALE 2:1
ANGLES	±2	SHEET 1 OF 2
MATERIAL -	FINISH -	REV C4

TE Connectivity	
NAME: TERMINAL BLOCK PLUG, 7.5mm PITCH	
SIZE A3	CAGE CODE 00779
DRAWING NO C-282959	RESTRICTED TO -

THIS DRAWING IS UNPUBLISHED.

RELEASED FOR PUBLICATION

20

© COPYRIGHT 20

ALL RIGHTS RESERVED.

LOC	DIST	REVISIONS					
FT	0	P	LTR	DESCRIPTION	DATE	DWN	APVD
			-	SEE SHEET 1	-	-	-

NOTES:

- MATERIALS AND FINISH
 HOUSING: PA 6-6, UL 94-V0.
 COLOURS: GRAY, RAL 7032.
 BLACK.
 GREEN.
 CLAMP: BRASS, NICKEL PLATED.
 DOUBLE SIDE CONTACT SPRING: PHOSPHOR BRONZE, TIN PLATED.
 CLAMPING SCREW: M3, BRASS, NICKEL PLATED.
- MECHANICAL
 MAX. INSERTION FORCE PER POLE : 3.0 N
 MIN. WITHDRAWAL FORCE PER POLE : 1.5 N
 WIRE STRIPPING LENGTH : 6.0-7.5 mm
 RECOMMENDED TIGHTENING TORQUE FOR SCREW : 0.5 Nm.
- ELECTRICAL
 WIRE RANGE : 12-30 AWG
 MAX. VOLTAGE : 300 V
 MAX CURRENT : 15 A
 CONTACT RESISTANCE : <15 m Ohm
 INSULATION RESISTANCE : >1000 M Ohm (500V DC)
- RECOGNIZED UNDER THE COMPONENT PROGRAM OF
 UNDERWRITERS LABORATORIES INC. FILE NO E60677.
- NOT CUMULATIVE TOLERANCE.
- INK MARKING : BLACK COLOUR
 NUMERICAL SEQUENCE : FROM LEFT TO RIGHT,
 WIRE ENTRY SIDE
- OPERATING TEMPERATURE RANGE: -40°C TO +105°C.

THIS DRAWING IS A CONTROLLED DOCUMENT.		DWN	S. SCHLEGEL	25JUN96	STE TE Connectivity		
DIMENSIONS: mm		CHK	R. CANTORE	25JUN96			
TOLERANCES UNLESS OTHERWISE SPECIFIED:		APVD	R. CANTORE	25JUN96	NAME TERMINAL BLOCK PLUG, 7.5mm PITCH		
0 PLC ±-		PRODUCT SPEC			SIZE		
1 PLC ±0.2		APPLICATION SPEC			CAGE CODE		DRAWING NO
2 PLC ±0.20		WEIGHT			A300779		C=282959
3 PLC ±0.001		CUSTOMER DRAWING			SCALE		2:1
4 PLC ±0.0001					SHEET		2 OF 2
ANGLES ±2					REV		C4
MATERIAL -					RESTRICTED TO		-
FINISH -							

X-ON Electronics

Largest Supplier of Electrical and Electronic Components

Click to view similar products for [Pluggable Terminal Blocks](#) category:

Click to view products by [TE Connectivity](#) manufacturer:

Other Similar products are found below :

[57.510.0053](#) [MC 1.5/ 6-ST-3.5 GY AU](#) [734-104](#) [734-302](#) [8-141-P](#) [8426620000](#) [860505](#) [860516](#) [860810](#) [GBPACX-12](#) [93.731.4953.0](#) [PV05-5,08-K](#) [PVP03-3,50](#) [PVP04-3,50](#) [PVS02-5,00](#) [1-1986160-3](#) [1377680000](#) [1531000000](#) [1546228-5](#) [ELFH16150](#) [ELFP03110](#) [ELFP10210](#) [ELFT06250](#) [ELVP03100](#) [1700101](#) [1700410](#) [1700425](#) [1702246](#) [1705229](#) [1710175](#) [1714537](#) [1717806](#) [1719600](#) [1728941](#) [1734692](#) [1734795](#) [1736036](#) [1740194](#) [1740291](#) [1740628](#) [1740990](#) [1746952](#) [1750207](#) [1752441](#) [1752865](#) [1754115](#) [1754144](#) [1756913](#) [1760051](#) [1760336](#)