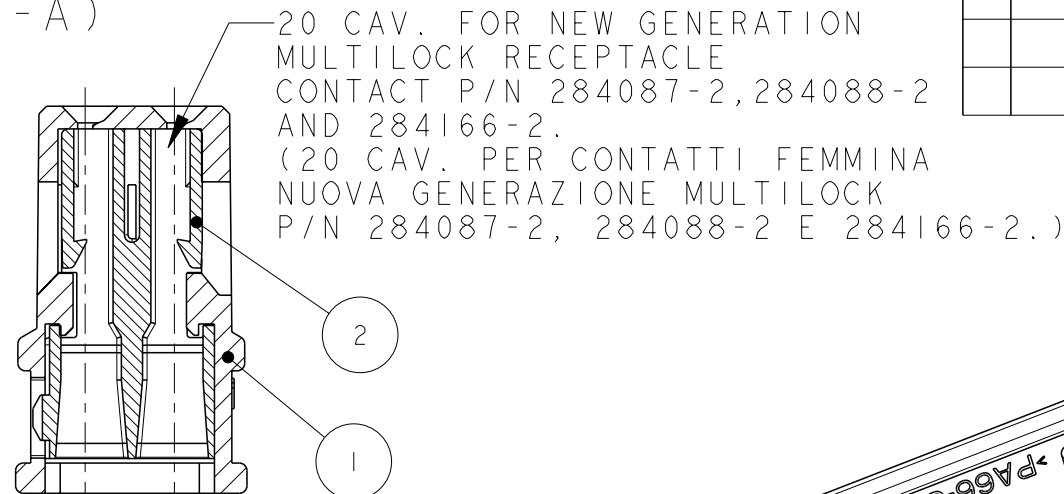
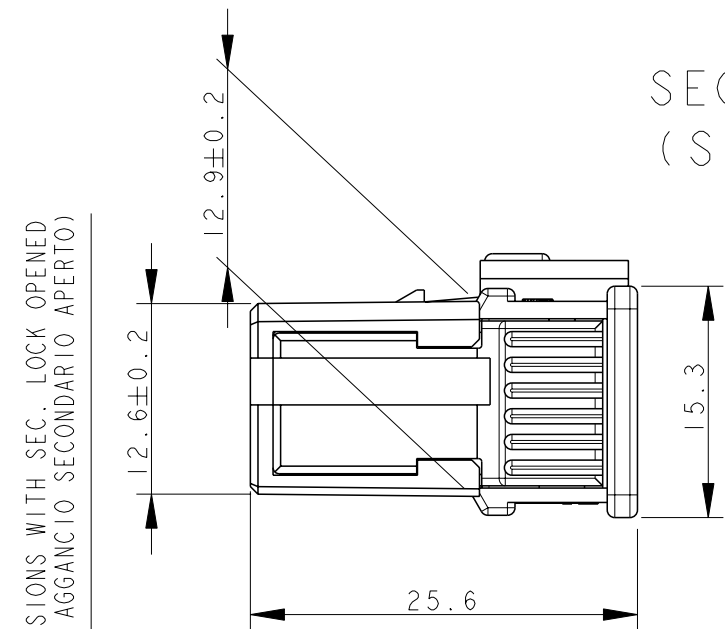
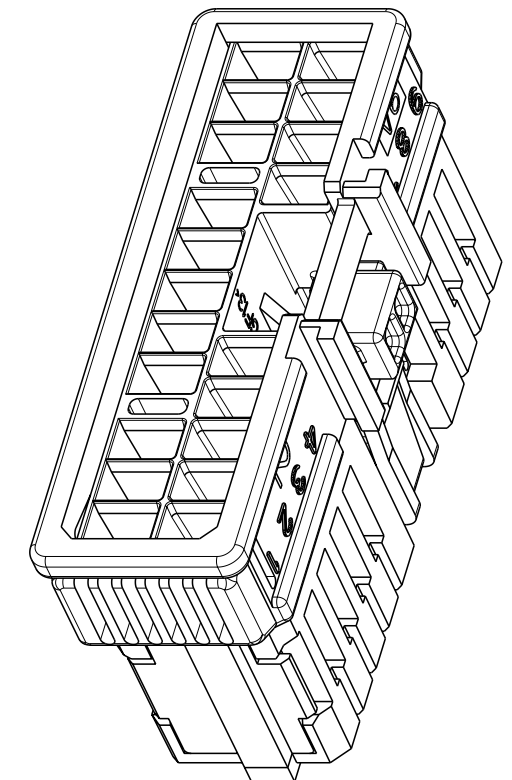
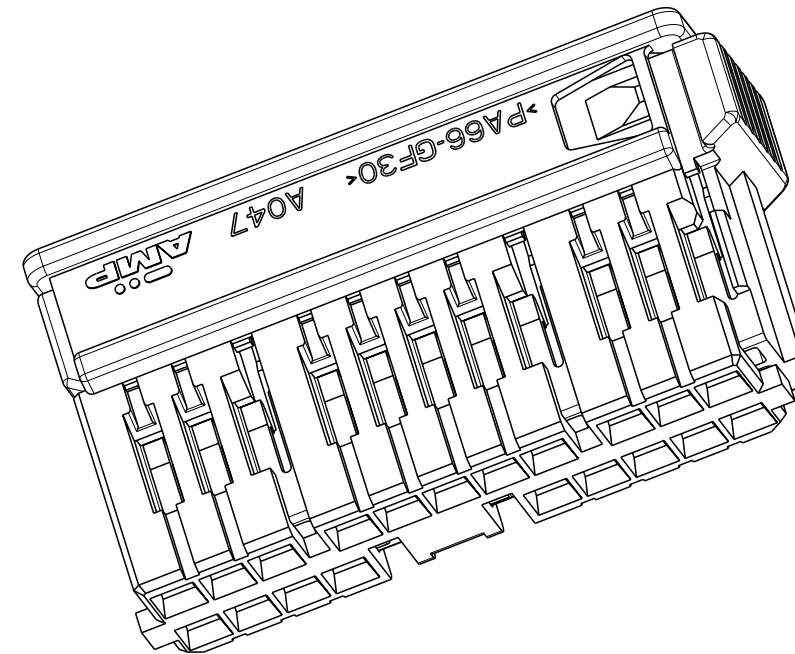
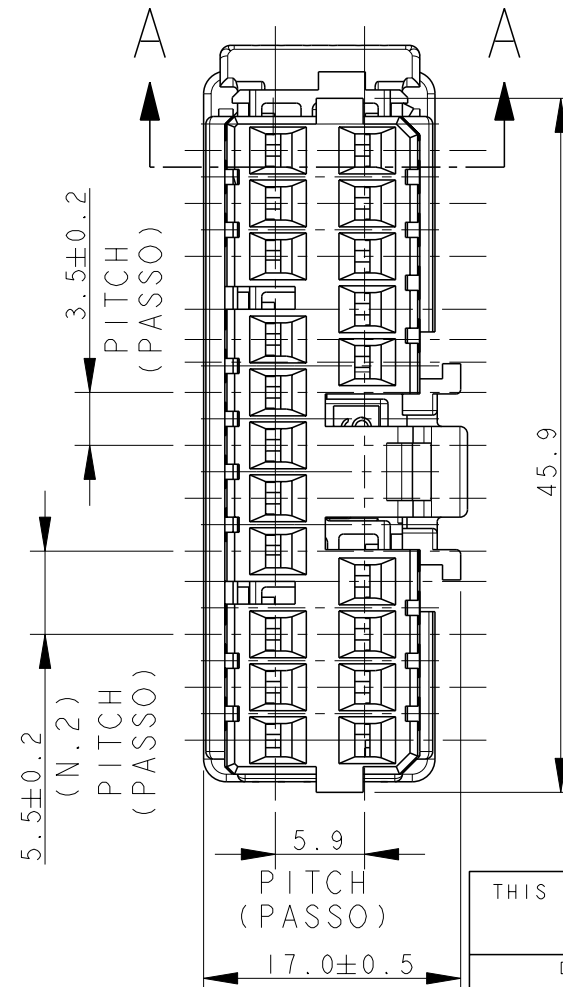
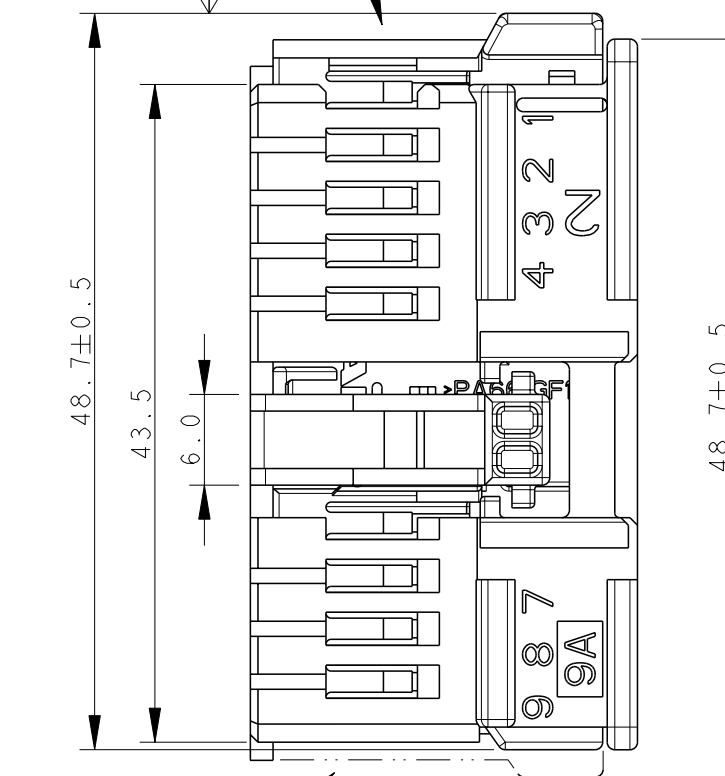


P	LTR	DESCRIPTION	DATE	DWN	APVD
	A4	REVISED PER ECO-20-003218	08JUN2020	AP	VN

SECTION A-A
(SEZIONE A-A)



SUPPLIED WITH SEC. LOCKING DEVICE ON PRE-ASSEMBLED POSITION (FORNITO CON IL DISPOSITIVO DI AGGANCIAMENTO SECONDARIO IN POS. PRE-ASSEMBLATO)



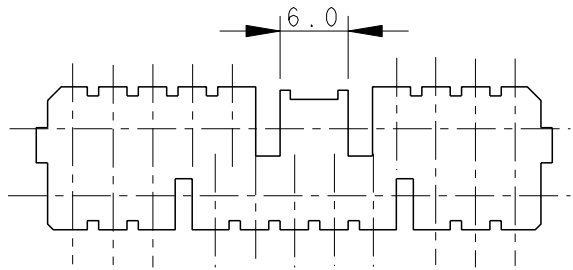
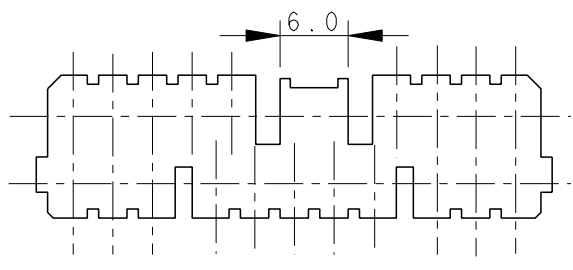
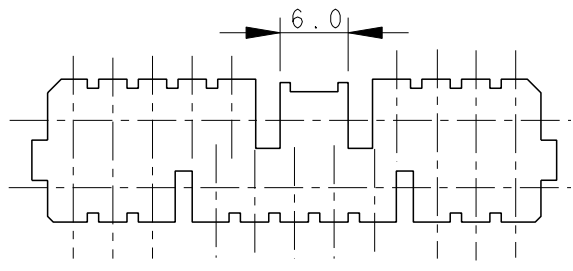
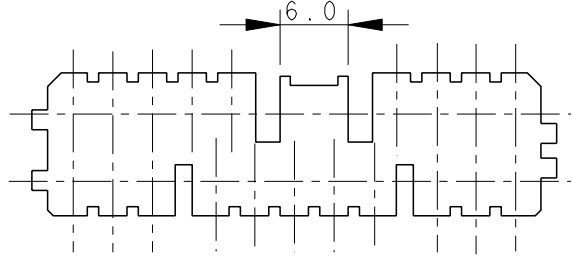
282991-2 AS SHOWN (COME MOSTRATO)

ITEM	DESCRIPTION (DESCRIZIONE)	FINISH/COLOUR (FINITURA/COLORE)	MATERIAL (MATERIALE)	PART NUMBER (NUMERO)
2	RECEPTACLE HOUSING (BLOCC. PORTA FEMMINE)	SEE SHEET 2 VED. FOGLIO 2	PA 66 G.F.	SEE SHEET 2 VED. FOGLIO 2
1	SEC. LOCKING DEVICE (AGGANCIAMENTO SECONDARIO)	SEE SHEET 2 VED. FOGLIO 2	PA 66 G.F.	SEE SHEET 2 VED. FOGLIO 2

THIS DRAWING IS A CONTROLLED DOCUMENT.		DWN A. MARANGON 04MAR99														
DIMENSIONS: mm		CHK O. CANUTO 04MAR99														
TOLERANCES UNLESS OTHERWISE SPECIFIED:		APVD A. GENTIA 04MAR99	NAME 20 POS. NEW GENERATION RECEPTACLE CONNECTOR for trucks													
<table border="1"> <tr> <td>0 PLC</td> <td>±0.3</td> </tr> <tr> <td>1 PLC</td> <td>±0.3</td> </tr> <tr> <td>2 PLC</td> <td>±0.3</td> </tr> <tr> <td>3 PLC</td> <td>±</td> </tr> <tr> <td>4 PLC</td> <td>±</td> </tr> <tr> <td>ANGLES</td> <td>±2</td> </tr> </table>		0 PLC	±0.3	1 PLC	±0.3	2 PLC	±0.3	3 PLC	±	4 PLC	±	ANGLES	±2	PRODUCT SPEC 108-20175	SIZE A300779	
0 PLC	±0.3															
1 PLC	±0.3															
2 PLC	±0.3															
3 PLC	±															
4 PLC	±															
ANGLES	±2															
MATERIAL SEE table		APPLICATION SPEC 114-20098	DRAWING NO C-282991	RESTRICTED TO -												
		WEIGHT 8.0 g	SCALE 2:1													
		CUSTOMER DRAWING		SHEET 1 OF 2												
				REV A4												

FOR POLARIZATION DETAILS AND COUNTERPARTS P/N'S SEE SHEET 2 (PER DETTAGLIO POLARIZZAZIONI E P/N'S CONTROPARTI VEDERE FOGLIO 2)

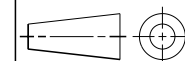
P	LTR	DESCRIPTION	DATE	DWN	APVD
-		SEE SHEET 1, (VEDERE FOGLIO 1)	-	-	-

P/N	ITEM 1 COLOUR (COLORE)	PART REV	GRAPHIC REPRESENTATION MATING FACE (RAPPRESENTAZIONE GRAFICA LATO ACCOPPIAMENTO)	P/N FREE HANGING COUNTERPART (CONTROPARTE VOLANTE)	P/N APPLICATION PANEL (DIMA DI APPLICAZIONE)
282991-2	BLACK (NERO)	A		282994-2	92-51128-2
282991-3	BLUE (BLU)	A		282994-3	92-51128-3
282991-4	GREY (GRIGIO)	A		282994-4	92-51128-4
282991-5	GREEN (VERDE)	A		/	/
282991-6	BROWN (MARRONE)	A	SAME AS -5	/	/

OBSOLETE

THIS DRAWING IS A CONTROLLED DOCUMENT.

DIMENSIONS:
mm



MATERIAL
SEE SHEET 1
(VEDERE FOGLIO 1)

TOLERANCES UNLESS OTHERWISE SPECIFIED:

0 PLC	±0.3
1 PLC	±0.3
2 PLC	±0.3
3 PLC	±
4 PLC	±
ANGLES	±2

FINISH
=

DWN 04MAR99

A. MARANGON

CHK 04MAR99

O. CANUTO

APVD 04MAR99

A. GENTIA

PRODUCT SPEC

SEE SHEET 1 (VEDERE FOGLIO 1)

APPLICATION SPEC

SEE SHEET 1 (VEDERE FOGLIO 1)

WEIGHT 18.0 g

(VEDERE FOGLIO 1)

CUSTOMER DRAWING



TE Connectivity

NAME
20 POS. NEW GENERATION
RECEPTACLE CONNECTOR
for trucks

SIZE CAGE CODE DRAWING NO RESTRICTED TO

A300779 C-282991

SCALE 1:1 SHEET 2 OF 2 REV A4

X-ON Electronics

Largest Supplier of Electrical and Electronic Components

Click to view similar products for [Automotive Connectors](#) category:

Click to view products by [TE Connectivity](#) manufacturer:

Other Similar products are found below :

[003-018-000](#) [60403001](#) [60993906-B](#) [M902-2131](#) [M902-2161](#) [72.330.1035.1](#) [73.353.4028.0](#) [F119300-B](#) [F166900](#) [F258300-B](#) [F358300-B](#)
[F407400](#) [F444110](#) [F487000](#) [F509500B-B](#) [827153-1](#) [8N1515-32-24P](#) [9-1326729-8](#) [925474-1](#) [928905-1](#) [964562-4](#) [968782-1](#) [GT17SA-8DS-](#)
[HU](#) [98891-1012](#) [98947-1016](#) [12004147](#) [12004475-L](#) [12010290](#) [12010309-B](#) [12015454](#) [12020219-B](#) [12020308](#) [12041318-B](#) [12052225-L](#)
[12052466](#) [12059125](#) [12064869](#) [12004327-B](#) [12010503-B](#) [12015308](#) [12015384](#) [12015909](#) [1-21030-1](#) [12041254](#) [12041318](#) [12047946-B](#)
[12047957](#) [12047957-L](#) [12059473](#) [12066261](#)