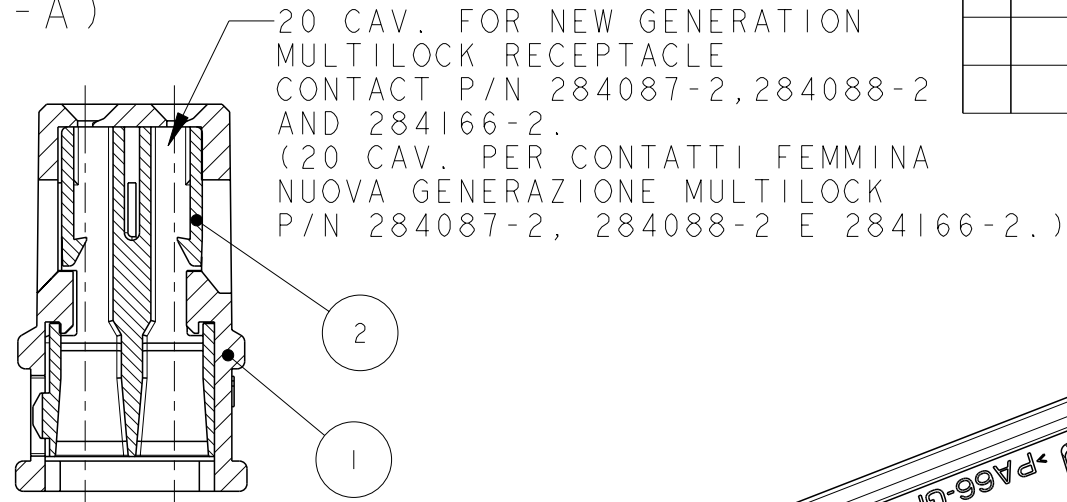
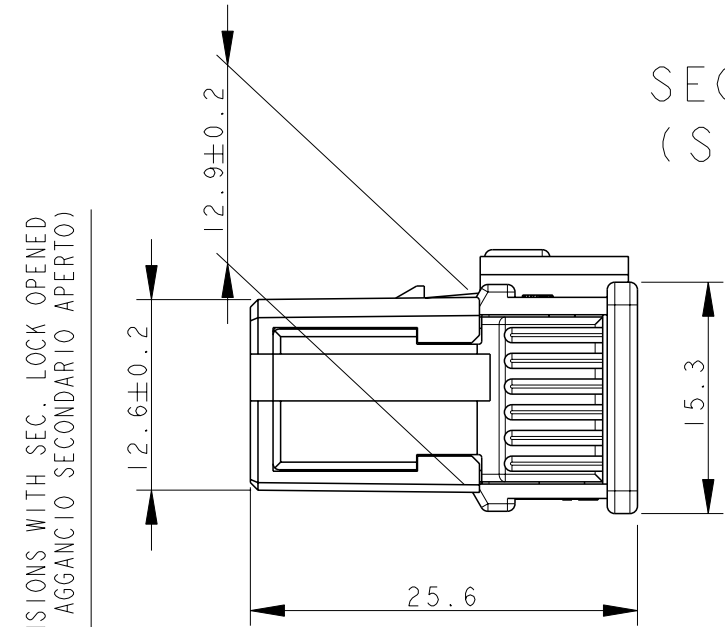


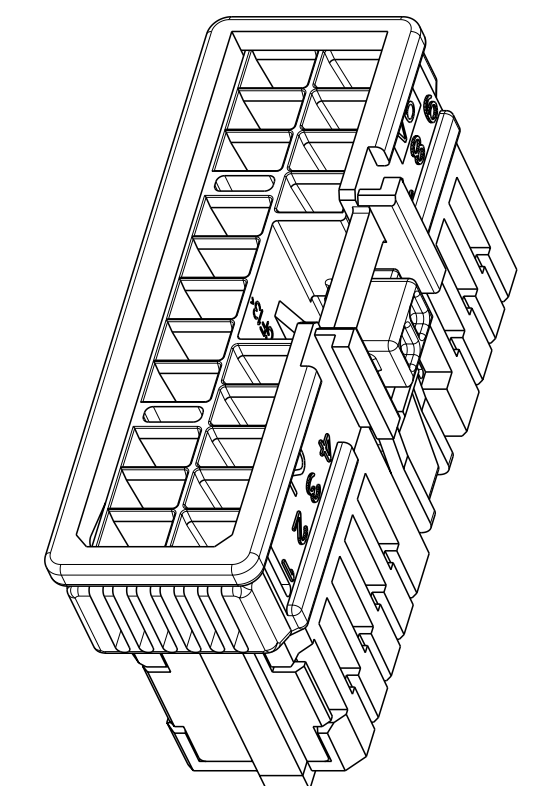
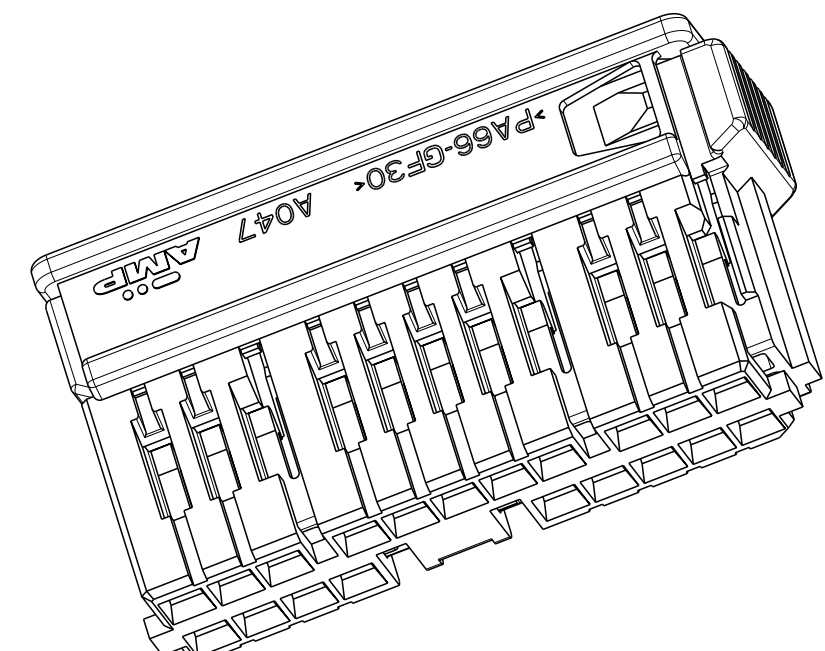
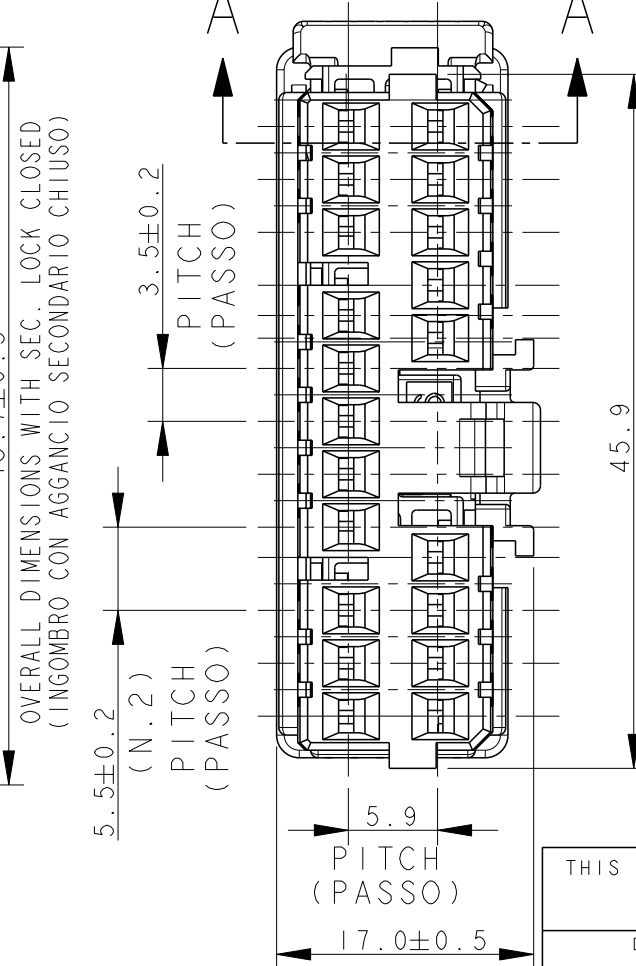
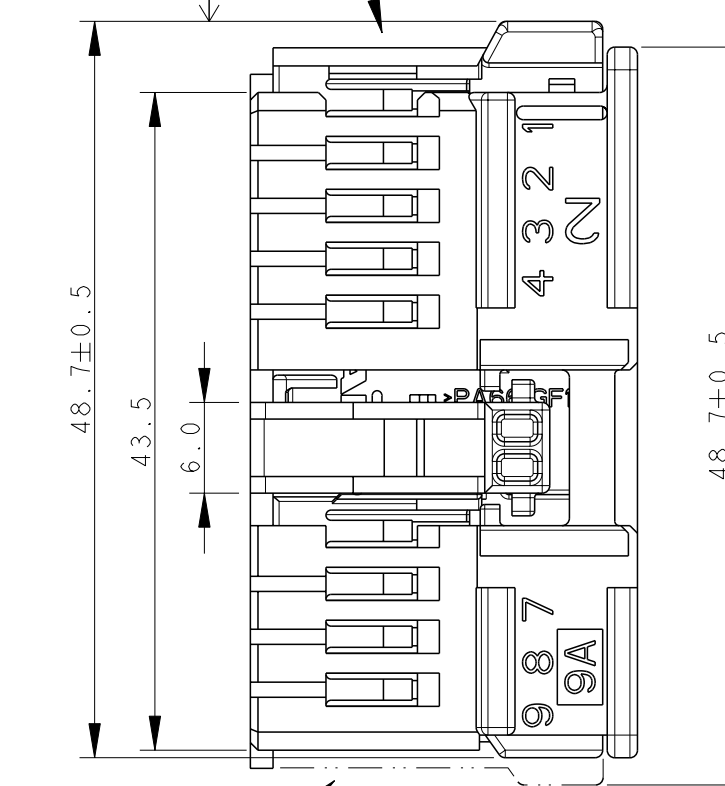
P	LTR	DESCRIPTION	DATE	DWN	APVD
A4		REVISED PER ECO-20-003218	08JUN2020	AP	VN

SECTION A-A  
(SEZIONE A-A)



OVERALL DIMENSIONS WITH SEC. LOCK OPENED  
(INGOMBRO CON AGGANCIAMENTO SECONDARIO APERTO)

SUPPLIED WITH SEC. LOCKING DEVICE ON PRE-ASSEMBLED POSITION  
(FORNITO CON IL DISPOSITIVO DI AGGANCIAMENTO SECONDARIO IN POS. PRE-ASSEMBLATO)



282991-2 AS SHOWN (COME MOSTRATO)

ITEM	DESCRIPTION (DESCRIZIONE)	FINISH/COLOUR (FINITURA/COLORE)	MATERIAL (MATERIALE)	PART NUMBER (NUMERO)
2	RECEPTACLE HOUSING (BLOCC. PORTA FEMMINE)	SEE SHEET 2 VED. FOGLIO 2	PA 66 G.F.	SEE SHEET 2 VED. FOGLIO 2
1	SEC. LOCKING DEVICE (AGGANCIAMENTO SECONDARIO)	SEE SHEET 2 VED. FOGLIO 2	PA 66 G.F.	SEE SHEET 2 VED. FOGLIO 2

THIS DRAWING IS A CONTROLLED DOCUMENT.

DWN	A. MARANGON	04MAR99
CHK	O. CANUTO	04MAR99
APVD	A. GENTIA	04MAR99
PRODUCT SPEC	108-20175	
APPLICATION SPEC	114-20098	
WEIGHT	8.0 g	

**TE** TE Connectivity

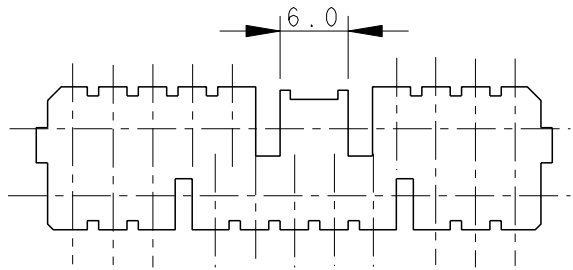
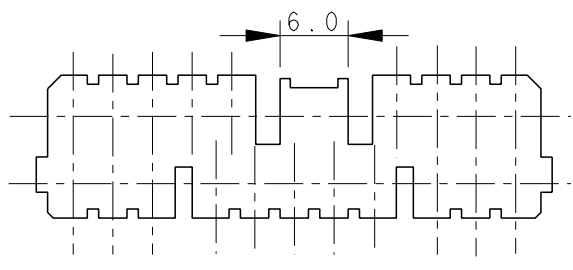
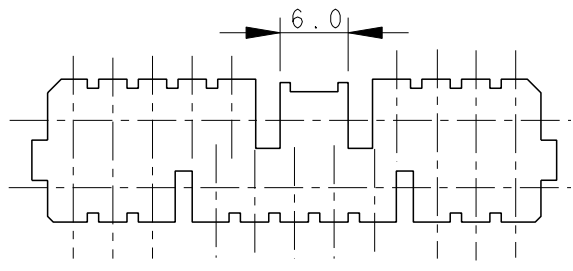
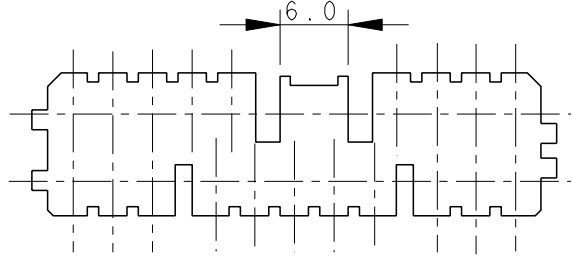
NAME: 20 POS. NEW GENERATION RECEPTACLE CONNECTOR for trucks

SIZE	CAGE CODE	DRAWING NO	RESTRICTED TO
A3	00779	C-282991	-


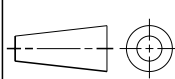
CUSTOMER DRAWING SCALE 2:1 SHEET 1 OF 2 REV A4

FOR POLARIZATION DETAILS AND COUNTERPARTS P/N'S SEE SHEET 2 (PER DETTAGLIO POLARIZZAZIONI E P/N'S CONTROPARTI VEDERE FOGLIO 2)

P	LTR	DESCRIPTION	DATE	DWN	APVD
-		SEE SHEET 1, (VEDERE FOGLIO 1)	-	-	-

P/N	ITEM 1 COLOUR (COLORE)	PART REV	GRAPHIC REPRESENTATION MATING FACE (RAPPRESENTAZIONE GRAFICA LATO ACCOPPIAMENTO)	P/N FREE HANGING COUNTERPART (CONTROPARTE VOLANTE)	P/N APPLICATION PANEL (DIMA DI APPLICAZIONE)
282991-2	BLACK (NERO)	A		282994-2	92-51128-2
282991-3	BLUE (BLU)	A		282994-3	92-51128-3
282991-4	GREY (GRIGIO)	A		282994-4	92-51128-4
<del>282991-5</del>	GREEN (VERDE)	A		/	/
<del>282991-6</del>	BROWN (MARRONE)	A	SAME AS -5	/	/

OBSOLETE

THIS DRAWING IS A CONTROLLED DOCUMENT.		DWN A. MARANGON 04MAR99	 TE Connectivity
DIMENSIONS: mm		CHK O. CANUTO 04MAR99	
TOLERANCES UNLESS OTHERWISE SPECIFIED:		APVD A. GENTIA 04MAR99	
0 PLC ±0.3 1 PLC ±0.3 2 PLC ±0.3 3 PLC ± 4 PLC ± ANGLES ±2		PRODUCT SPEC SEE SHEET 20 (VEDERE FOGLIO 1)	
		APPLICATION SPEC SEE SHEET 20 (VEDERE FOGLIO 1)	NAME 20 POS. NEW GENERATION RECEPTACLE CONNECTOR for trucks
MATERIAL SEE TABLE (VEDERE FOGLIO 1)		FINISH =	WEIGHT SEE SHEET 1 (VEDERE FOGLIO 1) 8.0 g
		CUSTOMER DRAWING	SIZE A3 CAGE CODE 300779 DRAWING NO. C-282991 RESTRICTED TO - SCALE 1:1 SHEET 2 OF 2 REV A4

## X-ON Electronics

Largest Supplier of Electrical and Electronic Components

*Click to view similar products for [Automotive Connectors](#) category:*

*Click to view products by [TE Connectivity](#) manufacturer:*

Other Similar products are found below :

[003-018-000](#) [60993906-B](#) [72.330.1035.1](#) [776880-1](#) [827153-1](#) [9-1326729-8](#) [9-221607-5](#) [925474-1](#) [928905-1](#) [964562-4](#) [968782-1](#) [12004468](#)  
[12004475-L](#) [12004483](#) [12052466](#) [12066163](#) [12015909](#) [12077753](#) [1-21030-1](#) [12047957](#) [12047958](#) [12084688](#) [12185550](#) [12336-12](#) [1-](#)  
[326211-1](#) [13681974](#) [13688972](#) [13755420](#) [13779834](#) [13783086](#) [13843152](#) [13522378](#) [13581967](#) [13669624](#) [13675513](#) [13753471](#) [13946876](#)  
[13953457](#) [13955963](#) [13964573](#) [13971791](#) [13790534-L](#) [13797473](#) [13805590](#) [13888202](#) [1428188-1](#) [1437287-3](#) [1428188-2](#) [DS07-19S-5020](#)  
[1456983-5](#)