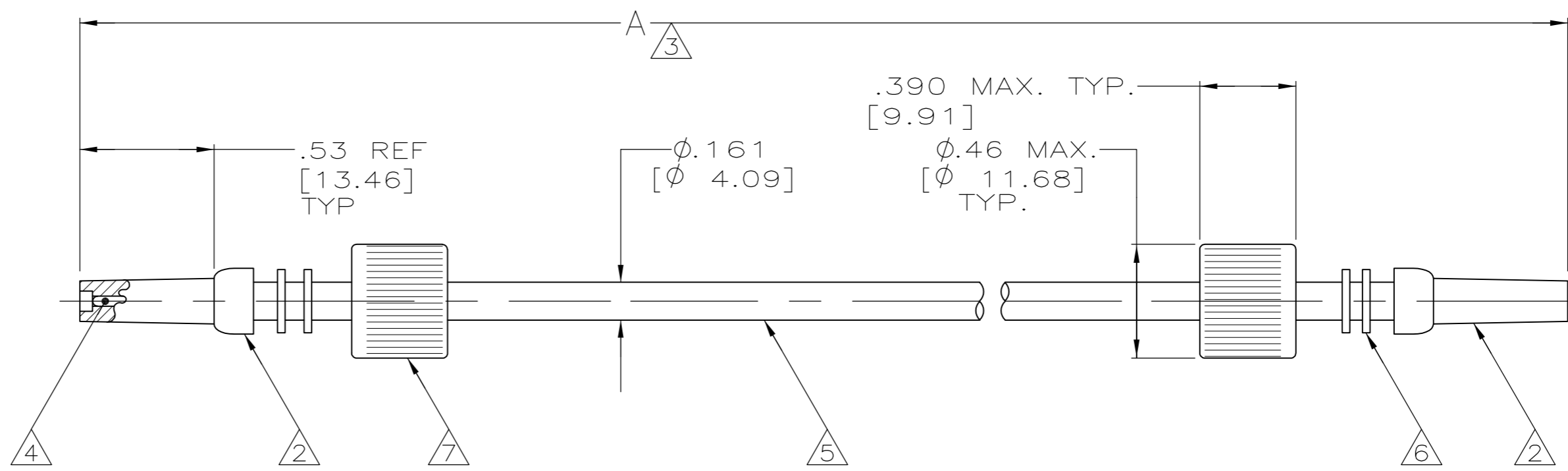


THIS DRAWING IS UNPUBLISHED. RELEASED FOR PUBLICATION
 © COPYRIGHT BY TYCO ELECTRONICS CORPORATION. ALL INTERNATIONAL RIGHTS RESERVED.

LOC		DIST		REVISIONS			
P	LTR	DESCRIPTION	DATE	DWN	APVD		
AA		REV PER ECO-10-019775	12OCT10	PY	DE		

PART NO	ASSY. TYPE	A	NOTE
830612-1	I	24.00 [609.6]	-
830612-2	I	12.00 [304.8]	-
830612-3	I	6.00 [152.4]	-
830612-4	I	48.00 [1219.2]	-
830612-5	I	91.00 [2311.4]	OBSOLETE
830612-6	I	83.00 [2108.2]	-
830612-7	I	75.00 [1905.0]	OBSOLETE
830612-8	I	18.00 [457.6]	-
830612-9	I	10.00 [254.0]	-
1-830612-0	I	7.00 [177.8]	OBSOLETE
1-830612-1	I	9.00 [228.6]	OBSOLETE
1-830612-2	I	30.00 [762.0]	-
1-830612-3	I	12.50 [317.5]	OBSOLETE
1-830612-4	I	16.00 [406.4]	-
1-830612-5	I	14.50 [368.3]	OBSOLETE
1-830612-6	I	42.00 [1066.8]	OBSOLETE
1-830612-7	I	8.50 [215.9]	-
1-830612-8	I	3.75 [95.2]	OBSOLETE
1-830612-9	I	60.00 [1524.0]	-
2-830612-0	I	14.00 [355.6]	OBSOLETE
2-830612-1	I	5.00 [127.0]	-
2-830612-2	I	84.00 [2133.6]	OBSOLETE
2-830612-3	I	15.00 [381.0]	-
2-830612-4	I	8.00 [203.2]	-
2-830612-5	I	7.60 [193.0]	OBSOLETE
2-830612-6	I	36.00 [914.4]	-
2-830612-7	I	160.00 [4064.0]	-
2-830612-8	I	20.00 [508.0]	-
2-830612-9	I	11.00 [279.4]	OBSOLETE
3-830612-0	I	13.00 [330.2]	OBSOLETE
3-830612-1	I	96.00 [2438.4]	-
3-830612-2	I	5.50 [139.7]	OBSOLETE
3-830612-3	I	7.50 [190.5]	OBSOLETE
3-830612-4	I	945.00 [24003.0]	OBSOLETE
3-830612-5	I	120.00 [3048.0]	OBSOLETE
3-830612-6	I	19.00 [482.6]	OBSOLETE
3-830612-7	I	40.00 [1016.0]	-
3-830612-8	I	100.00 [2540.0]	OBSOLETE
3-830612-9	I	236.25 [6000.7]	OBSOLETE
4-830612-0	I	79.00 [2006.6]	-
4-830612-1	I	140.00 [3556.0]	-
4-830612-2	I	5.12 [130.0]	OBSOLETE
4-830612-3	I	137.00 [3479.8]	OBSOLETE
4-830612-4	I	18.00 [467.2]	OBSOLETE
4-830612-5	I	98.5 [2501.9]	-



1. MARK PER MIL-STD-130
2. MOLDED ENDS, SILICONE RUBBER, 2-REQD.
3. TOLERANCE: UP TO 24"[609.6] = ±.12"[±3.0], 24"[609.6] & UP = ±1%
4. SOCKET, 2-REQD.
5. #16 GAUGE STRANDED CONDUCTOR, SILICONE INSULATION
COLOR: WHITE
6. TEFLON WASHER, 4-REQD.
7. CAP, 2-REQD.
8. TO MATE WITH AMP LGH-1/2 RECEPTACLE WITH .53 BARREL DEPTH.
9. DIMENSIONS IN BRACKETS ARE IN MILLIMETERS.
METRIC EQUIVALENTS ARE GIVEN BASED
UPON 1.00 INCH = 25.4 mm.
10. OPERATING CONDITIONS: 10KVDC, SEA LEVEL TO +70,000 FEET,
-55° C TO +125° C

THIS DRAWING IS A CONTROLLED DOCUMENT.		DWN W. LEUFERT 9-8-89	Tyco Electronics Corporation Harrisburg, PA 17105-3608	
DIMENSIONS: INCHES		CHK G. SCHAEFFER 10-10-89	NAME ELECTRICAL LEAD, DOUBLE MOLDED END LGH-1/2 (#16)	
TOLERANCES UNLESS OTHERWISE SPECIFIED:		APVD D. EABY 10-11-89	SIZE A2	CAGE CODE 00779
0 PLC ± -		PRODUCT SPEC	DRAWING NO C=830612	RESTRICTED TO
1 PLC ± -		APPLICATION SPEC	SCALE 2:1	SHEET 1 of 1
2 PLC ± -		WEIGHT -	REV AA	
3 PLC ± .005 [0.13]		CUSTOMER DRAWING		
4 PLC ± -				
ANGLES ± -				
FINISH SEE CALLOUTS				

830612

X-ON Electronics

Largest Supplier of Electrical and Electronic Components

Click to view similar products for [DC Power Cords](#) category:

Click to view products by [TE Connectivity](#) manufacturer:

Other Similar products are found below :

[172-4000](#) [172-4101](#) [172-7443-E](#) [21033836407](#) [2J-1865A](#) [2R7006A20A120](#) [426055400-3](#) [MN47A4BC01M010](#) [H-OU-2](#) [CA0002](#)
[420680840-3](#) [426451500-3](#) [P162PT4-36](#) [1-832692-4](#) [FJ-VSP 3M](#) [96CB-POWER-B-1.8M2](#) [426040200](#) [CA0006](#) [H-OU-27](#) [1700019464](#) [FJ-](#)
[VSP 10M](#) [MN47B4BC01M040](#) [H-OU-20](#) [2-836917-8](#) [867566-1](#) [804001P03M050G](#) [2050KH1-BK](#) [426013710-3](#) [58257-1069](#) [216603-0037](#)
[1011147](#) [1011324](#) [1012028](#) [862545-5](#) [BXC-10567](#) [172-2555](#) [32102-022800-200-RS](#) [P29000-M2](#) [P29004-M2](#) [DC.CAB.0201.0150](#)
[DC.CAB.0301.0150](#) [DC.CAB.0610.0150](#) [DC.CAB.0700.0150](#) [DC.CAB.1000.0300](#) [DC.CAB.1100.0150](#) [DC.CAB.1400.0150](#)
[DC.CAB.1410.0150](#) [DC.CAB.1500.0150](#) [DC.CAB.1811.0150](#) [DC.CAB.1900.0150](#)