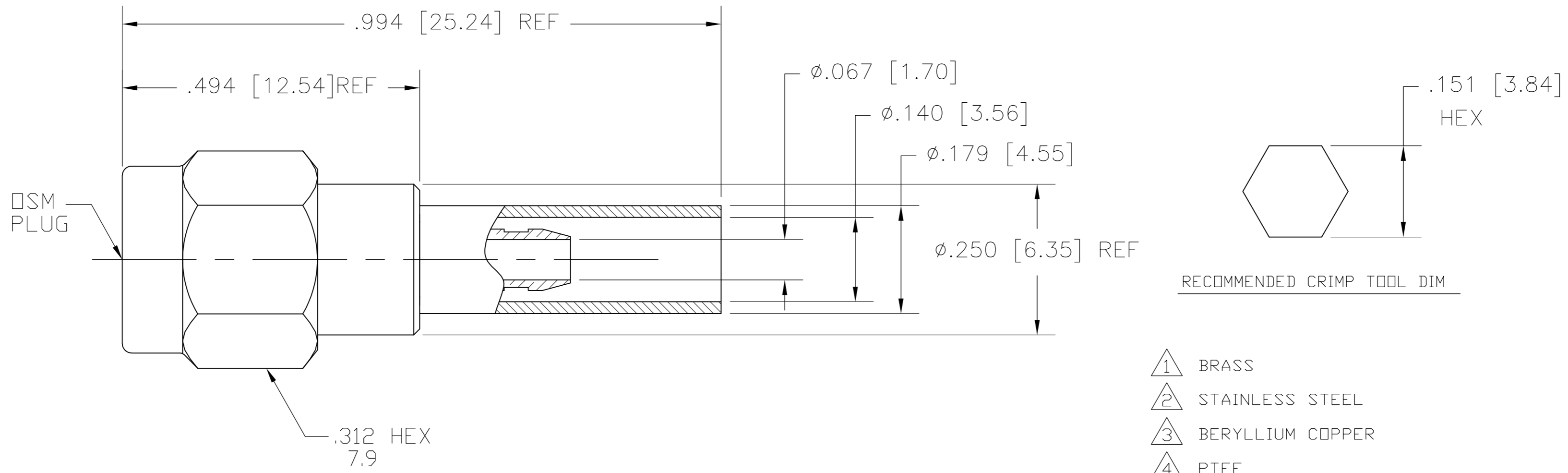


THIS DRAWING IS UNPUBLISHED. RELEASED FOR PUBLICATION
 © COPYRIGHT BY TYCO ELECTRONICS CORPORATION. ALL RIGHTS RESERVED.

LOC	DIST	REVISIONS			
P	LTR	DESCRIPTION	DATE	DWN	APVD
AJ	00	A1	REVISED PER ECO-09-026299	26Nov2009	AM BOB



- ① BRASS
- ② STAINLESS STEEL
- ③ BERYLLIUM COPPER
- ④ PTFE
- ⑤ SILICONE RUBBER
- ⑥ GOLD PLATE
- ⑦ NICKEL PLATE
- ⑧ PASSIVATE

ELECTRICAL	MECHANICAL	ENVIRONMENTAL
Nominal Impedance (Ω hms) 50	Interface Dimensions MIL-STD-348A, Fig. 310.1	TEMPERATURE RATING -65° TO +165° DURABILITY:500 CYCLES
Frequency Range (GHz) DC to 12.4	Recommended Mating Torque 7-10 In-Lbs	
Volt Rating (VRMS MAX) @ Sea Level 250	Mating Characteristics:	.XXX = in X.XX = mm
VSWR 1.15 + .02f(GHz)	Insertion (MAX Lbs) N/A	
Insertion Loss (dB MAX) .07 \sqrt{f} GHz	Withdrawal (MIN Oz) N/A	
Dielectric Withstanding Voltage (VRMS MIN) @ Sea Level 750	Force to Engage and Disengage (In-Lbs MAX) 2	
Contact Resistance (Milliohms MAX)	Center Contact Captivation Axial (Lbs) 6 Min	
Center Contact 5.0	Radial (In-Oz) N/A	
Outer Contact 3.0	Cable Retention Axial Force (Lbs) 20 MIN	
Cable to Housing 0.5	Torque (In-Oz) N/A	
RF High Potential @ Sea Level (VRMS MIN @ 5 MHz) 500	Weight (Grams) TBD	
I.R.(Megohms MIN) 10,000		

① ⑦	① ⑦	④	① ⑥	① ⑦	③	⑤	1056436-3
② ⑧	② ⑧	④	① ⑥	① ⑦	③	⑤	1056436-1
HOUSING	COUPLING NUT	DIELECTRIC	CENTER CONTACT	FERRULE	RETAINING RING	GASKET	TE PN.

THIS DRAWING IS A CONTROLLED DOCUMENT.

DWN ANSON MA 23Nov2009	Tyco Electronics Corporation Kunshan, Jiangsu, RPC 215312				
CHK RITA ZUO 23Nov2009					
APVD BOB_ZHAO 23Nov2009					
PRODUCT SPEC 108-112002					
APPLICATION SPEC 408-4661	NAME OSM STRAIGHT CABLE(RD-316/U) PLUG CRIMP ATTACHMENT				
MATERIAL -	FINISH -	SIZE A2	CAGE CODE 00779	DRAWING NO C=1056436	RESTRICTED TO -
CUSTOMER DRAWING		SCALE 5:1	SHEET 1 of 1	REV A1	

1056436

X-ON Electronics

Largest Supplier of Electrical and Electronic Components

Click to view similar products for [RF Connectors / Coaxial Connectors](#) category:

Click to view products by [TE Connectivity](#) manufacturer:

Other Similar products are found below :

[8915-1511-000](#) [89674-0827](#) [6001-7071-019](#) [6002-7051-003](#) [6002-7551-202](#) [6059674-1](#) [619550-1](#) [630059-000](#) [M39030/3-01N](#) [6500-7071-046](#) [6769](#) [CX050L2AQ](#) [7002-1541-010](#) [7002-1542-011](#) [7004-1512-000](#) [7009-1511-004](#) [7010-1511-000](#) [7029-1511-060](#) [7101-1541-010](#) [7101-1571-002](#) [7105-1521-002](#) [7145-1521-002](#) [7203-1571-003](#) [7209-1511-011](#) [7210-1511-015](#) [7210-1511-019](#) [73137-5015](#) [73216-2241](#) [73404-2300](#) [7405-1521-005](#) [7405-1521-802](#) [8527](#) [8547](#) [FS11V](#) [877931](#) [9049-9513-000](#) [9074-9513-000](#) [9101-9573-002](#) [910A205F](#) [9130-9573-002](#) [PL11SC-026](#) [PL375-33](#) [PL40-5](#) [PL74C-221](#) [PL75MC-217](#) [PL803-7](#) [1200690078](#) [1-201144-1](#) [R107003010W](#) [R110A172100](#)