

4

3

2

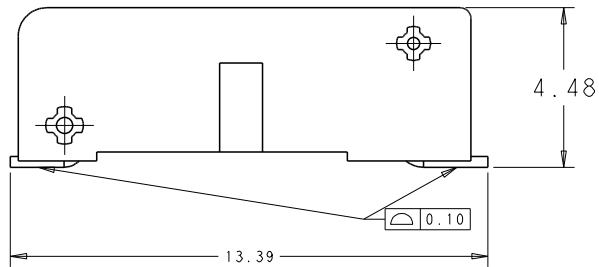
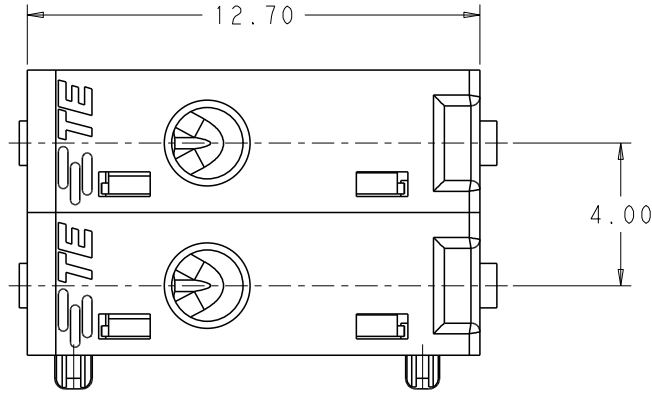
1

THIS DRAWING IS UNPUBLISHED. RELEASED FOR PUBLICATION 20  
© COPYRIGHT 20 BY - ALL RIGHTS RESERVED.

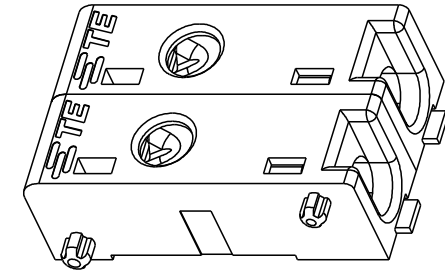
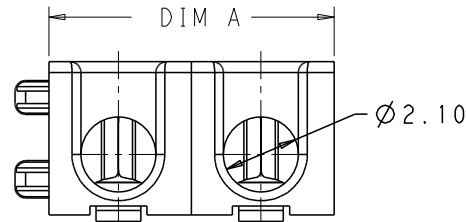
REVISIONS				
P	LYR	DESCRIPTION	DATE	DWN APVD
B3		ECR-17-010993:UPDATE THE 3-2834006-4 DESC	28JUL2017	G.F S.M
B4		ECR-17-013140 ADD NEW PART	08SEP2017	G.F S.M
B5		ADD NEW PART: 7-2834006-1	13SEP2017	G.F S.M
B6		ECR-18-015867 ADD NEW P/N	08OC12018	G.F S.M

NOTES :

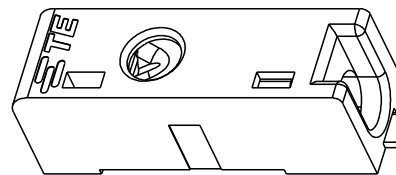
- 1. MATERIALS AND FINISH:
  - HOUSING: HIGH TEMPERATURE RESIN
  - CONTACTS: COPPER ALLOY, FINISH: PRE-TIN OVER NICKEL UNDERPLATE
- 2. MUST COMPLY WITH DIRECTIVE 2002/95/EC (ROHS)
- 3. WIRE TYPES AND SIZES ACCEPTED
  - SOLID WIRE: 18AWG, 20AWG, 22AWG, 16AWG (ONLY ONE TIME INSERTING)
  - STRANDED WIRE(TIN-DIPPED): 18AWG( STRANDS:16); 20AWG(STRANDS:7); 22AWG(STRANDS:7 )
  - MAX INSULATION OD: 2.05mm MAX.
  - STRIP LENGTH: 8.0±0.5mm
- 4. PACKAGED IN TAPE AND REEL



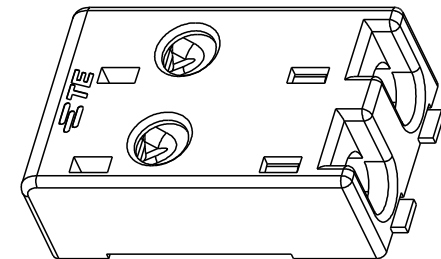
SCALE 10:1



MODULAR ASSEMBLY TYPE



P/N: 5-2834006-1



NORMAL 2P TYPE:4-2834006-0

THIS DRAWING IS A CONTROLLED DOCUMENT.		DWN: GEORGE FU 13SEP2017	TE Connectivity	
		CHK: GEORGE FU 13SEP2017		
DIMENSIONS: (mm)		APVD: SHEI MING 13SEP2017	NAME: CONNECTOR ASSEMBLY RELEASABLE POKE-IN	
TOLERANCES UNLESS OTHERWISE SPECIFIED:		PRODUCT SPEC: 108-137055	SIZE: A2	
0 PLC ±- 1 PLC ±0.2 2 PLC ±0.13 3 PLC ±- 4 PLC ±- ANGLES ±- FINISH *		APPLICATION SPEC: 114-137055	CAGE CODE: -	
MATERIAL:		WEIGHT: -	DRAWING NO: C=2834006	
		CUSTOMER DRAWING	RESTRICTED TO: -	
		SCALE: 10:1		SHEET: 1 OF 3
				REV: B6

4

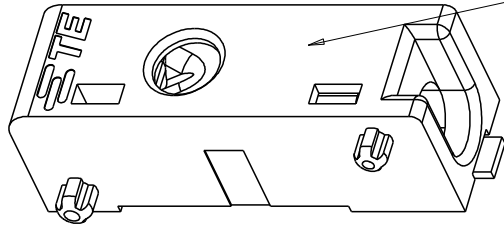
3

2

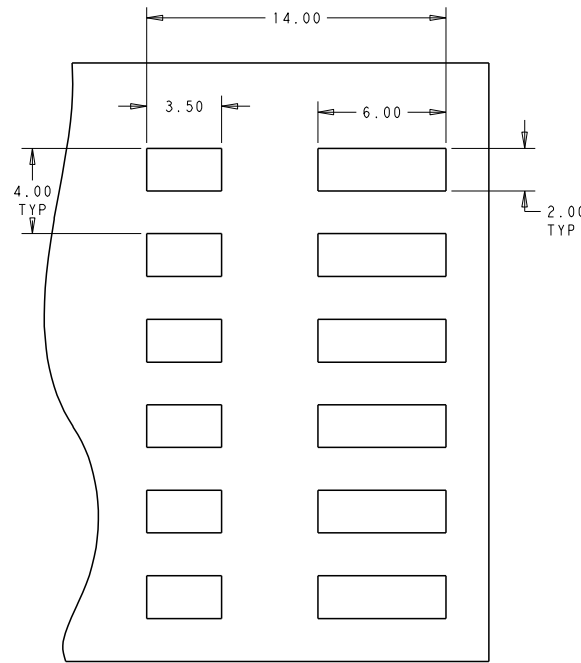
1

THIS DRAWING IS UNPUBLISHED. BY - COPYRIGHT 20 BY - ALL RIGHTS RESERVED. RELEASED FOR PUBLICATION 20

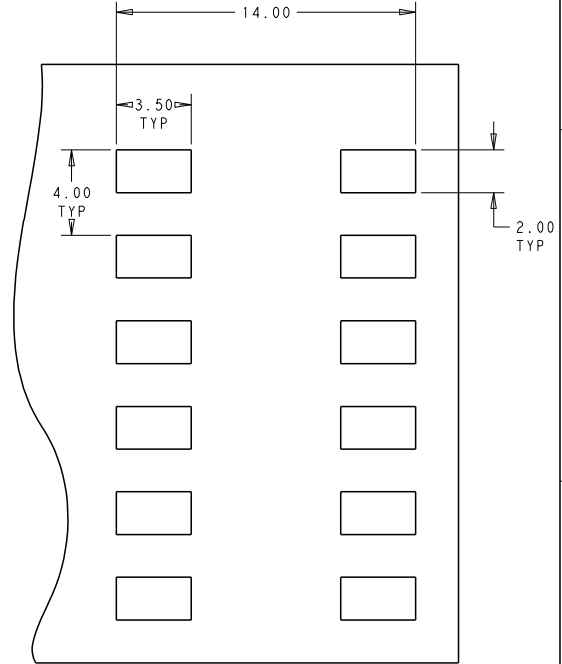
REVISIONS					
P	LYR	DESCRIPTION	DATE	DWN	APVD
-	-	SEE SHEET 1	-	-	-



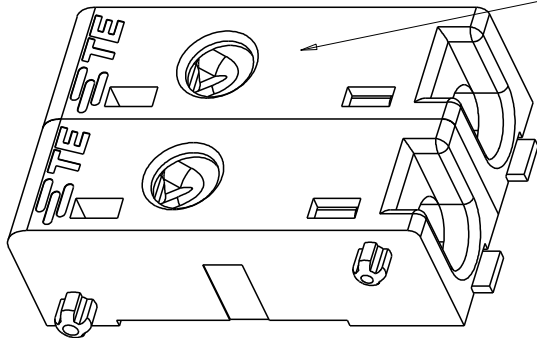
2834006-1  
SCALE 10:1



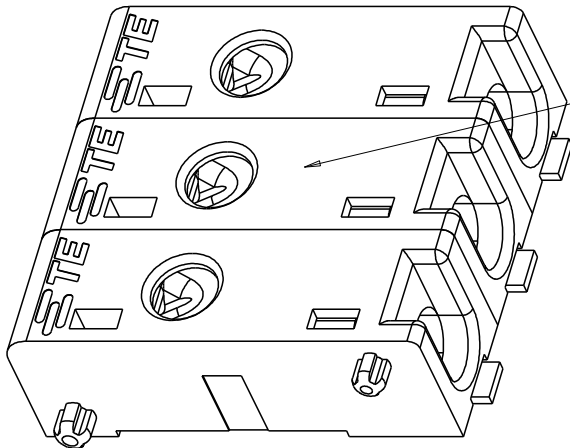
SCALE 6:1  
RECOMMENDED PCB LAYOUT



SCALE 6:1  
OPTIONAL PCB LAYOUT



2834006-2  
SCALE 10:1



1-2834006-2  
SCALE 10:1

THIS DRAWING IS A CONTROLLED DOCUMENT.		DWN - GEORGE FU 13SEP2017	TE Connectivity
		CHK - GEORGE FU 13SEP2017	
		APVD - GEORGE FU 13SEP2017	NAME
DIMENSIONS:		PRODUCT SPEC	CONNECTOR ASSEMBLY RELEASEABLE POKE-IN
(mm)		108-137055	
TOLERANCES UNLESS OTHERWISE SPECIFIED:		APPLICATION SPEC	SIZE
0 PLC	±	114-137055	CAGE CODE
1 PLC	±0.2	WEIGHT	DRAWING NO
2 PLC	±0.13		RESTRICTED TO
3 PLC	±		A2
4 PLC	±		SCALE 10:1
ANGLES	±		SHEET 2 OF 3
FINISH	-		REV B6
MATERIAL	SEE SHEET 1	CUSTOMER DRAWING	

4

3

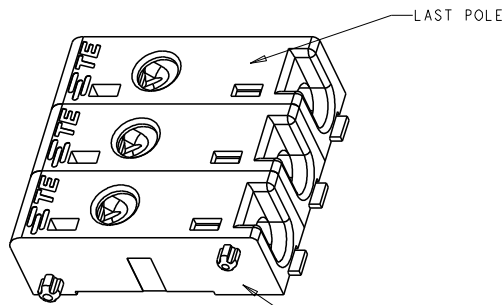
2

1

THIS DRAWING IS UNPUBLISHED. RELEASED FOR PUBLICATION 20  
 © COPYRIGHT 20 BY - ALL RIGHTS RESERVED.

REVISIONS					
P	LYR	DESCRIPTION	DATE	DWN	APVD
-	-	SEE SHEET1			

20.00	5 HSG:3 POSN	-	-	-	-	5-2834006-0	6-2834006-0	7-2834006-0	8-2834006-0	-
	COLOR	-	-	-	-	BLACK/BLACK SPACER/RED/RED SPACER/NATURE	NATURE/BLACK SPACER/RED/BLACK SPACER/NATURE	RED/RED SPACER/NATURE/NATURE SPACER/BLACK	NATURE/NATURE SPACER/BLACK/BLACK SPACER/RED	-
20.00	5 Position	2834006-5	2-2834006-5	3-2834006-5	4-2834006-5	5-2834006-5	6-2834006-5	7-2834006-5	8-2834006-5	9-2834006-5
	COLOR	NATURE(ALL)	BLACK(ALL)	RED(ALL)	BRIGHT WHITE(ALL)	BLACK/NATURE/BLACK/NATURE/RED	BLACK/RED/NATURE/BLACK/RED	NATURE/BLACK/RED/NATURE/RED	BLACK/NATURE/RED/BLACK/NATURE	RED/BLACK/NATURE/RED/NATURE
16.00	4 POSITION	2834006-4	2-2834006-4	3-2834006-4	4-2834006-4	5-2834006-4	6-2834006-4	7-2834006-4	8-2834006-4	9-2834006-4
	COLOR	NATURE(ALL)	BLACK(ALL)	WHITE/BLACK/RED/YELLOW	BRIGHT WHITE(ALL)	BLACK/NATURE/BLACK/NATURE	BLACK/RED/BLACK/RED	NATURE/BLACK/NATURE/RED	NATURE/RED/BLACK/NATURE	BLACK/NATURE/RED/NATURE
12.00	3 HSG; 2 POSN	1-2834006-1	1-2834006-2	1-2834006-3	1-2834006-4	1-2834006-5	1-2834006-6	1-2834006-7	1-2834006-8	1-2834006-9
	COLOR	RED(ALL)	NATURE(ALL)	BLACK(ALL)	BRIGHT WHITE(ALL)	RED/NATURE SPACER/BLACK	BLAC/RED SPACER/NATURE	NATURE/RED SPACER/BLACK	BLACK/NATURE SPACER/RED	RED/BLACK SPACER/NATURE
12.00	3 POSITION	2834006-3	2-2834006-3	3-2834006-3	4-2834006-3	5-2834006-3	6-2834006-3	7-2834006-3	8-2834006-3	9-2834006-3
	COLOR	NATURE(ALL)	BLACK(ALL)	RED(ALL)	BRIGHT WHITE(ALL)	BLACK/NATURE/RED	NATURE/RED/BLACK	RED/BLACK/NATURE	PURPLE/GRAY/PURPLE	GRAY/PURPLE/GRAY
8.00	2 POSITION	2834006-2	2-2834006-2	3-2834006-2	4-2834006-2	5-2834006-2	6-2834006-2	7-2834006-2	8-2834006-2	9-2834006-2
	COLOR	NATURE(ALL)	BLACK(ALL)	RED(ALL)	BRIGHT WHITE(ALL)	NATURE/RED	NATURE/BLACK	RED/BLACK	BLACK/NATURE	BLACK/RED
8.00	2 POSITION	1-2834006-0	2-2834006-0	3-2834006-0	4-2834006-0	-	-	-	-	-
	COLOR	GRAY/BLUE	BROWN/YELLOW	NATURE(ALL)(PEG CUT)	NATURE	-	-	-	-	-
4.00	1 POSITION	2834006-1	2-2834006-1	3-2834006-1	4-2834006-1	5-2834006-1	6-2834006-1	7-2834006-1	-	-
	COLOR	NATURE	BLACK	RED	BRIGHT WHITE	NATURE/PEG CUT	BLUE	GREEN	-	-
DIM A	POSITION No	PART No								



COLOR ARRANGEMENT DESCRIPTION

THIS DRAWING IS A CONTROLLED DOCUMENT.		DWN - GEORGE FU 13SEP2017	TE Connectivity	
		CHK - GEORGE FU 13SEP2017		
		APVD - SHEI MING 13SEP2017	NAME - CONNECTOR ASSEMBLY RELEASABLE POKE-IN	
DIMENSIONS: (mm)		PRODUCT SPEC	SIZE	
TOLERANCES UNLESS OTHERWISE SPECIFIED: 0 PLC ±. 1 PLC ±0.2 2 PLC ±0.13 3 PLC ±. 4 PLC ±. ANGLES ±. FINISH -		APPLICATION SPEC	CAGE CODE DRAWING NO	
MATERIAL		108-137055	A2 - C=2834006	
		114-137055	RESTRICTED TO	
		WEIGHT	SCALE 10:1 SHEET 3 OF 3 REV B6	
		CUSTOMER DRAWING		

## X-ON Electronics

Largest Supplier of Electrical and Electronic Components

*Click to view similar products for [Lighting Connectors](#) category:*

*Click to view products by [TE Connectivity](#) manufacturer:*

Other Similar products are found below :

[293300-7](#) [293660-5](#) [CNX\\_H03\\_NTP](#) [30-9767-BU](#) [3605](#) [3-21030-1](#) [ZCH-110-RGB-I](#) [503471-0290](#) [ZCH-110-RGB-J](#) [217-0716-200](#)  
[1954563-1](#) [1-293657-2](#) [2834036-1](#) [2834037-1](#) [1-2213222-4](#) [2-2213222-4](#) [2213222-4](#) [2834122-3](#) [2834122-5](#) [2834135-2](#) [FLA-R4142-30](#)  
[FLA-R4162-30](#) [FLA-R2142-30](#) [FLA-R2141-30](#) [FLA-R2162-30](#) [FLA-R2161-30](#) [FLA-R0161-30](#) [FLA-R0141-30](#) [FLA-R0142-30](#) [FLA-](#)  
[R0162-30](#) [FLA-C00-00](#) [DGA00010553](#) [CNXV04NTP](#) [104128-0610](#) [503485-0000 \(Cut Strip\)](#) [503485-0000 \(Loose Piece\)](#) [503485-0000](#)  
[\(MINI Reel\)](#) [1-2834074-2](#) [1-2834074-3](#) [1357-AC PLUG W2C \(CHINA\)](#) [1357-AC PLUG W2 \(USA\)](#) [104266-0110](#) [2106212-1](#) [2-2834074-2](#)  
[104266-0210](#) [293470-1](#) [293651-2](#) [293651-4](#) [1-2834006-2](#) [293651-1](#)