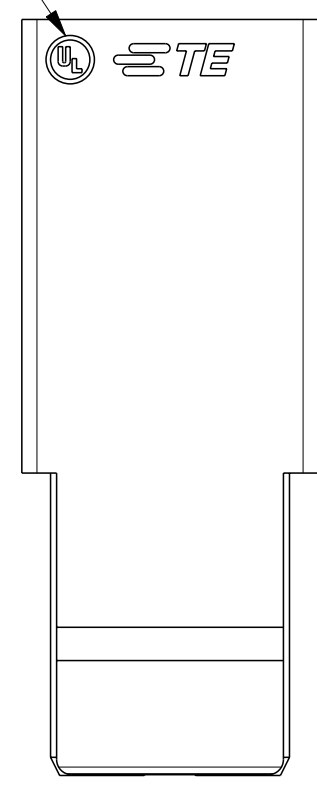


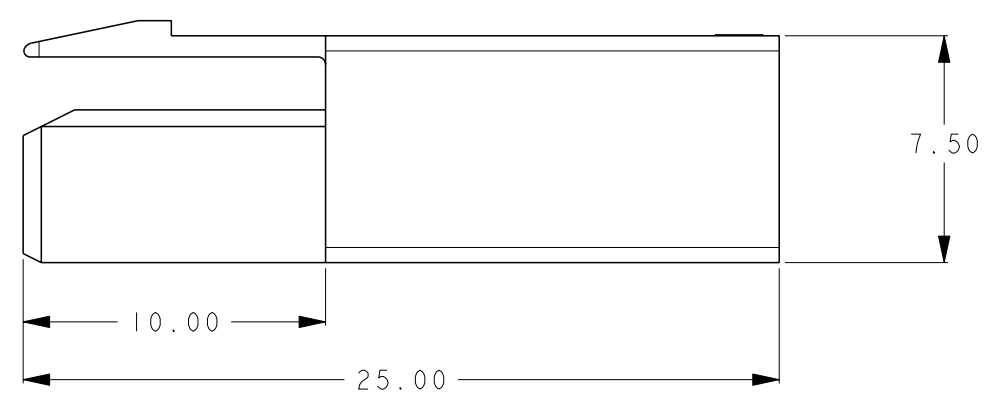
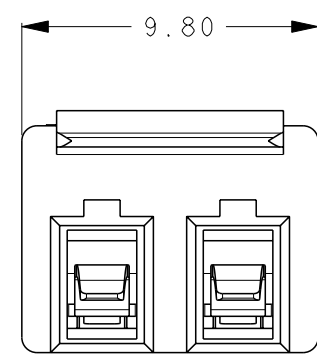
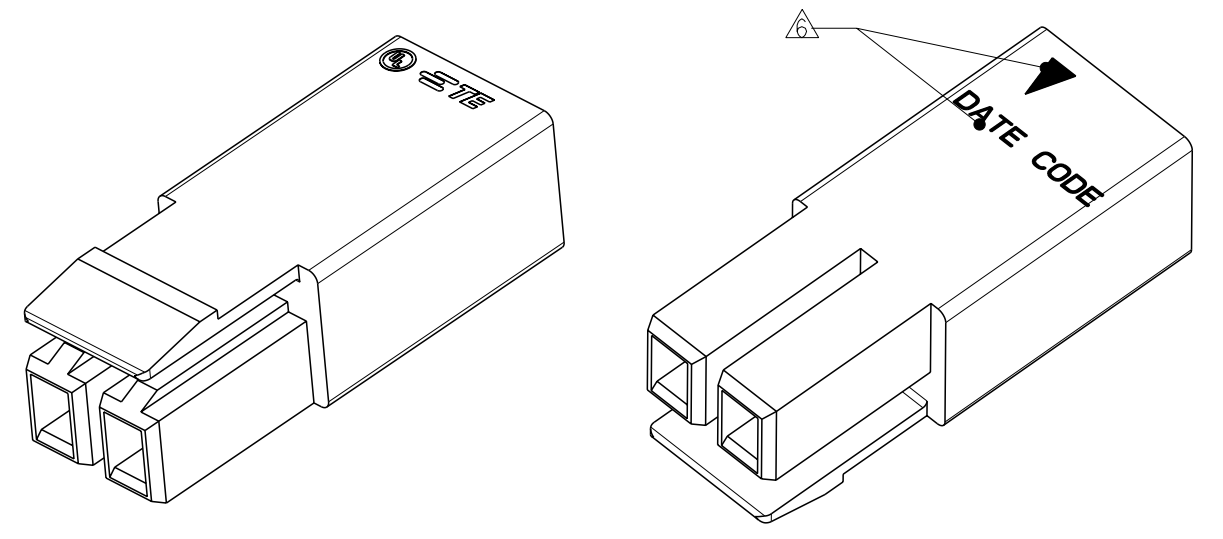
THIS DRAWING IS UNPUBLISHED. RELEASED FOR PUBLICATION 20  
 © COPYRIGHT 20 BY - ALL RIGHTS RESERVED.

P	LTR	DESCRIPTION	DATE	DWN	APVD
	A	INITIAL RELEASE	6JUN2016	Z.W	X.X
	B	ADD UL MARK	16JUL2018	Z.W	S.M
	BI	ECR-21-104905	11JUN2021	F.F	M.S

Ⓢ UL MARK



DATE CODE  
 YY WW X  
 ↑ ↑ ↑  
 YY=YEAR  
 EX: 16=2016  
 WW=WEEK  
 EX: 12=12  
 X=DAY  
 EX: 5=5


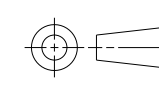


NOTE:

- PART NUMBER: SEE TABLE.
  - MATERIAL:  
 TERMINAL: COPPER ALLOY  
 HOUSING: THERMOPLASTIC, UL94-V0.
  - FINISH  
 TERMINAL: TIN PLATING OVERALL.
  - PACKAGING: PLASTIC BAG.
  - APPLICABLE WIRE:  
 SOLID: 18-22AWG.  
 STRANDED WIRE: 16-20 AWG(26 STRANDS MAX. FOR 16 AWG  
 16 STRANDS MAX. FOR 18AWG, 7 STRANDS MAX. FOR 20AWG.  
 (14AWG: 7 STRANDS, 16 AWG: 26 STRANDS, 18AWG:16STRANDS)
- △ MARK APPROXIMATION LOCATION.

AS SHOWN: 2834048-1/2/3/4

2834048-4	2834049-4	RED
2834048-3	2834049-3	ORANGE
2834048-2	2834049-2	BLACK
2834048-1	2834049-1	NATURAL
PART NUMBER	MATING SIDE P/N	PART COLOR

THIS DRAWING IS A CONTROLLED DOCUMENT.		DWN 11JUN2021 FRANK FAN	 TE Connectivity NAME 2 PIN LATCHED WIRE TO WIRE CONNECTOR PLUG ASSEMBLY		
DIMENSIONS: mm		CHK 11JUN2021 GEORGE FU			PRODUCT SPEC 108-137159
TOLERANCES UNLESS OTHERWISE SPECIFIED: ±0.5		APVD 11JUN2021 MING SHI			APPLICATION SPEC 114-137159
		FINISH			WEIGHT 1.35g
MATERIAL		CUSTOMER DRAWING		SIZE A300779 CAGE CODE C-2834048 DRAWING NO RESTRICTED TO	
		SCALE 3:1		SHEET 1 OF 3	
				REV BI	

printed on 1 Jun 2021 08:59 (China Standard Time) from TE310617

THIS DRAWING IS UNPUBLISHED.

RELEASED FOR PUBLICATION

20

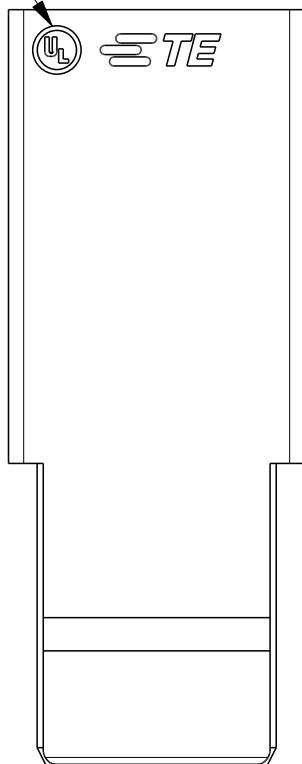
© COPYRIGHT 20 BY -

ALL RIGHTS RESERVED.

REVISIONS

P	LTR	DESCRIPTION	DATE	DWN	APVD
		SEE SHEET 1			

UL MARK



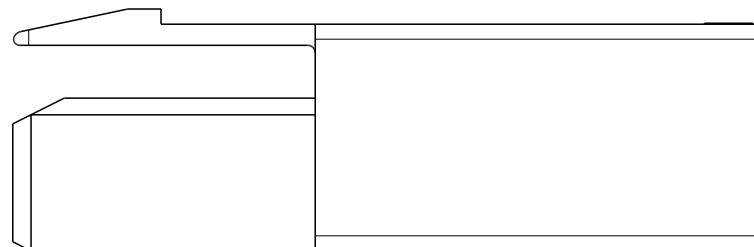
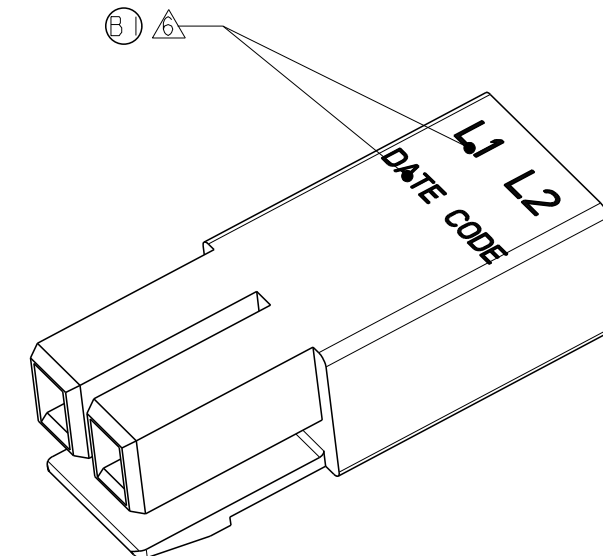
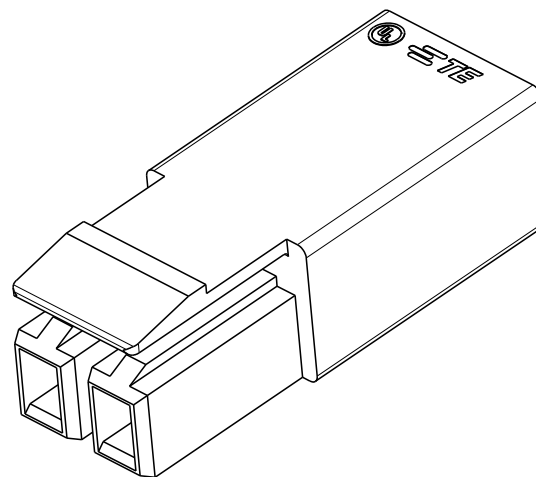
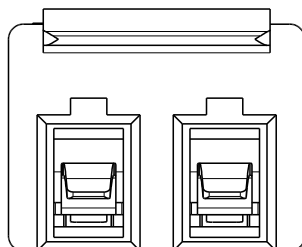
DATE CODE

YY WW X

YY=YEAR  
EX: 16=2016

WW=WEEK  
EX: 12=12

X=DAY  
EX: 5=5



- NOTE:
- PART NUMBER: SEE TABLE.
  - MATERIAL:  
TERMINAL: COPPER ALLOY  
HOUSING: THERMOPLASTIC, UL94-V0.
  - FINISH  
TERMINAL: TIN PLATING OVERALL.
  - PACKAGING: PLASTIC BAG.
  - APPLICABLE WIRE:  
SOLID: 18-22AWG.  
STRANDED WIRE: 16-20 AWG(26 STRANDS MAX. FOR 16 AWG  
16 STRANDS MAX. FOR 18AWG, 7 STRANDS MAX. FOR 20AWG.  
(14AWG: 7 STRANDS, 16 AWG: 26 STRANDS, 18AWG: 16STRANDS)
- △ MARK APPROXIMATION LOCATION.

AS SHOWN: 1 - 2834048 - 1 / 2 / 3 / 4

1-2834048-4	4-2834049-4	RED
1-2834048-3	4-2834049-3	ORANGE
1-2834048-2	4-2834049-2	BLACK
1-2834048-1	4-2834049-1	NATRUAL
PART NUMBER	MATING SIDE P/N	PART COLOR

THIS DRAWING IS A CONTROLLED DOCUMENT.		DWN FRANK FAN 11 JUN 2021		
		CHK GEORGE FU 11 JUN 2021		
DIMENSIONS: mm 		APVD MING SHI 11 JUN 2021	NAME 2 PIN LATCHED WIRE TO WIRE CONNECTOR PLUG ASSEMBLY	
TOLERANCES UNLESS OTHERWISE SPECIFIED: ±0.5 0-PLC ± 1-PLC ± 2-PLC ± 3-PLC ± 4-PLC ± ANGLES ±1°		PRODUCT SPEC 108-137159	SIZE A300779	CAGE CODE C=2834048
MATERIAL -		APPLICATION SPEC 114-137159	DRAWING NO	
FINISH -		WEIGHT 1.35g	RESTRICTED TO	
		CUSTOMER DRAWING	SCALE 3:1	SHEET 2 OF 3
			REV B1	

Printed on 11 Jun 2021 09:00 (China Standard Time) From LES10617

D

C

B

A

THIS DRAWING IS UNPUBLISHED.

RELEASED FOR PUBLICATION

20

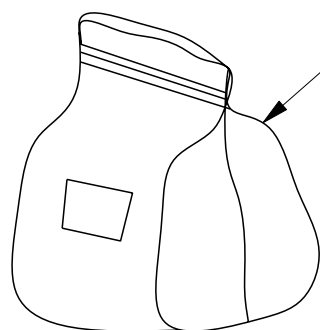
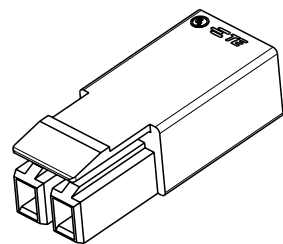
© COPYRIGHT 20

BY -

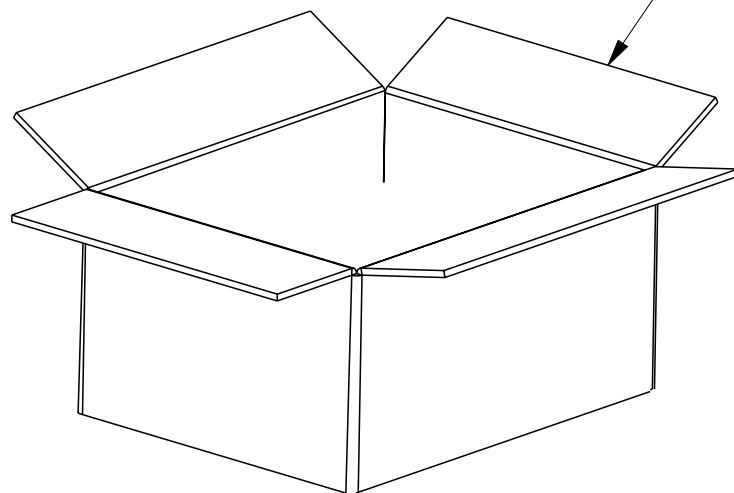
ALL RIGHTS RESERVED.

REVISIONS

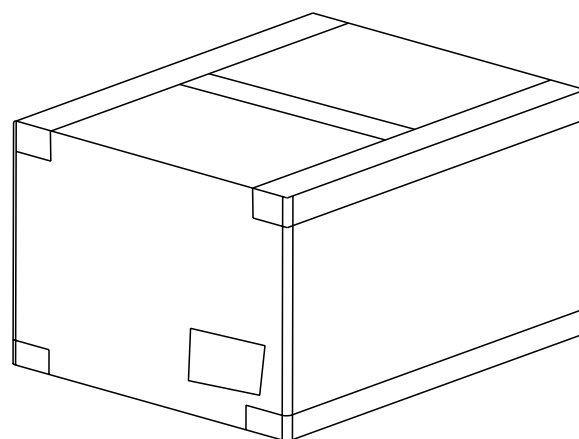
P	LTR	DESCRIPTION	DATE	DWN	APVD
	-	SEE SHEET 1	-	-	-



PLASTIC BAG



CARTON



NOTE:  
1. PACKAGING QUANTITY: SEE TABLE.

PAIRS PER BAG	BAGS PER CARTON	PAIRS PER CARTON
500	8	4000

printed on 1 Jun 2021 08:59 (China Standard Time) from TE310617

THIS DRAWING IS A CONTROLLED DOCUMENT.		DWN FRANK FAN 11JUN2021						
DIMENSIONS: mm		CHK GEORGE FU 11JUN2021						
		APVD MING SHI 11JUN2021						
TOLERANCES UNLESS OTHERWISE SPECIFIED:		PRODUCT SPEC 108-137159	NAME 2 PIN LATCHED WIRE TO WIRE CONNECTOR PLUG ASSEMBLY					
0 PLC ±		APPLICATION SPEC 114-137159	SIZE	CAGE CODE	DRAWING NO	RESTRICTED TO		
1 PLC ±		WEIGHT	A300779		C=2834048			
2 PLC ±		CUSTOMER DRAWING						
3 PLC ±		SCALE	3:1		SHEET	3 OF 3	REV	B1
4 PLC ±								
ANGLES ± °								
MATERIAL								
FINISH								
-								
-								

## X-ON Electronics

Largest Supplier of Electrical and Electronic Components

*Click to view similar products for [Lighting Connectors](#) category:*

*Click to view products by [TE Connectivity](#) manufacturer:*

Other Similar products are found below :

[293300-7](#) [293660-5](#) [CNX\\_H03\\_NTP](#) [30-9767-BU](#) [3605](#) [3-21030-1](#) [ZCH-110-RGB-I](#) [503471-0290](#) [ZCH-110-RGB-J](#) [217-0716-200](#)  
[1954563-1](#) [1-293657-2](#) [2834036-1](#) [2834037-1](#) [1-2213222-4](#) [2-2213222-4](#) [2213222-4](#) [2834122-3](#) [2834122-5](#) [2834135-2](#) [FLA-R4142-30](#)  
[FLA-R4162-30](#) [FLA-R2142-30](#) [FLA-R2141-30](#) [FLA-R2162-30](#) [FLA-R2161-30](#) [FLA-R0161-30](#) [FLA-R0141-30](#) [FLA-R0142-30](#) [FLA-](#)  
[R0162-30](#) [FLA-C00-00](#) [DGA00010553](#) [CNXV04NTP](#) [104128-0610](#) [503485-0000 \(Cut Strip\)](#) [503485-0000 \(Loose Piece\)](#) [503485-0000](#)  
[\(MINI Reel\)](#) [1-2834074-2](#) [1-2834074-3](#) [1357-AC PLUG W2C \(CHINA\)](#) [1357-AC PLUG W2 \(USA\)](#) [104266-0110](#) [CNXV02NTP](#) [2106212-1](#)  
[2-2834074-2](#) [104266-0210](#) [293470-1](#) [293651-2](#) [293651-4](#) [1-2834006-2](#)