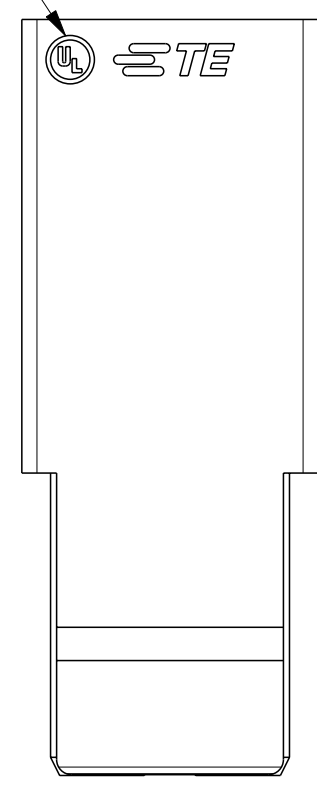


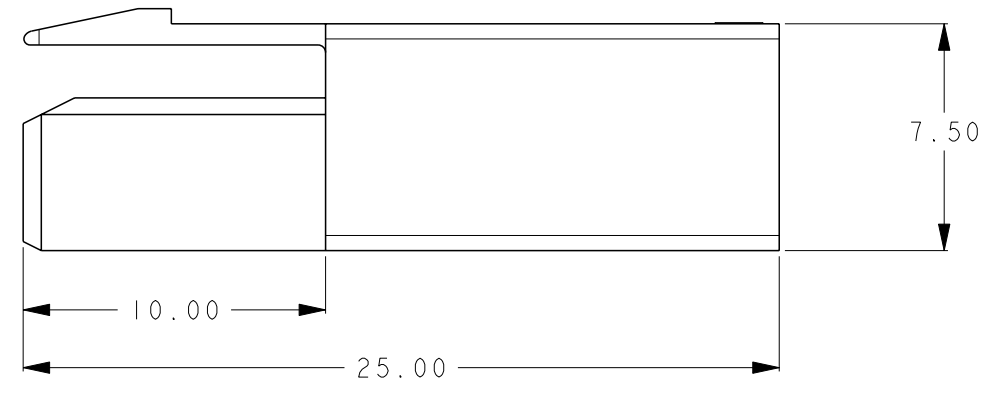
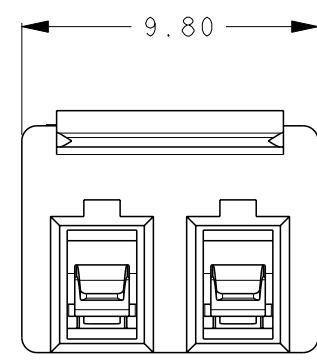
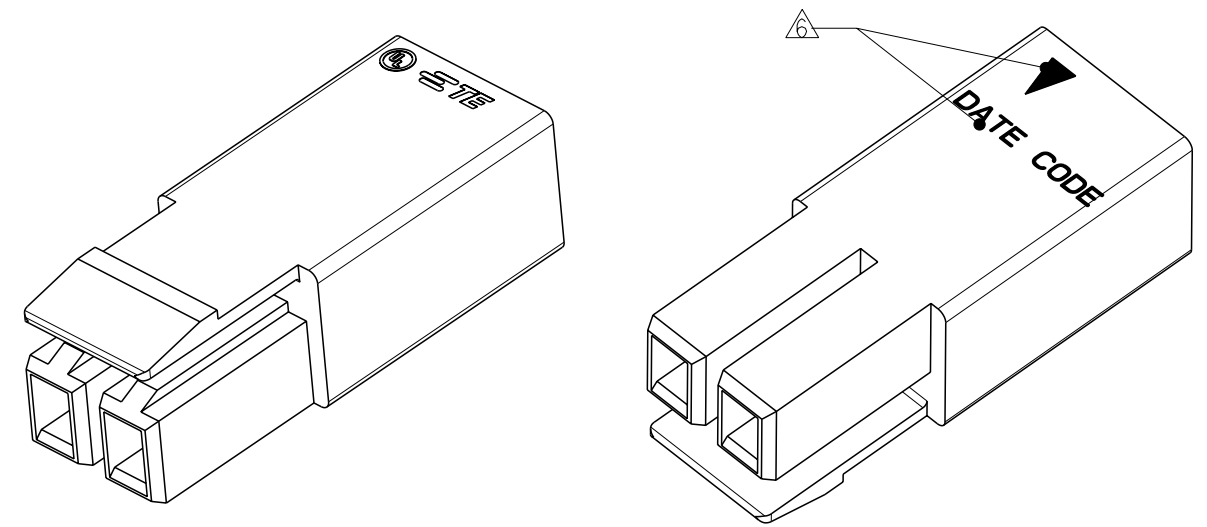
THIS DRAWING IS UNPUBLISHED. RELEASED FOR PUBLICATION 20
 © COPYRIGHT 20 BY - ALL RIGHTS RESERVED.

| P | LTR | DESCRIPTION | DATE | DWN | APVD |
|---|-----|-----------------|-----------|-----|------|
| | A | INITIAL RELEASE | 6JUN2016 | Z.W | X.X |
| | B | ADD UL MARK | 16JUL2018 | Z.W | S.M |
| | BI | ECR-21-104905 | 11JUN2021 | F.F | M.S |

Ⓢ UL MARK




DATE CODE
 YY WW X
 ↑ ↑ ↑
 YY=YEAR
 EX: 16=2016
 WW=WEEK
 EX: 12=12
 X=DAY
 EX: 5=5



NOTE:
 1. PART NUMBER: SEE TABLE.
 2. MATERIAL:
 TERMINAL: COPPER ALLOY
 HOUSING: THERMOPLASTIC, UL94-V0.
 3. FINISH
 TERMINAL: TIN PLATING OVERALL.
 4. PACKAGING: PLASTIC BAG.
 5. APPLICABLE WIRE:
 SOLID: 18-22AWG.
 STRANDED WIRE: 16-20 AWG(26 STRANDS MAX. FOR 16 AWG
 16 STRANDS MAX. FOR 18AWG, 7 STRANDS MAX. FOR 20AWG.
 (14AWG: 7 STRANDS, 16 AWG: 26 STRANDS, 18AWG:16STRANDS)
 ⚠ MARK APPROXIMATION LOCATION.

AS SHOWN: 2834048-1/2/3/4

| | | |
|-------------|-----------------|------------|
| 2834048-4 | 2834049-4 | RED |
| 2834048-3 | 2834049-3 | ORANGE |
| 2834048-2 | 2834049-2 | BLACK |
| 2834048-1 | 2834049-1 | NATURAL |
| PART NUMBER | MATING SIDE P/N | PART COLOR |

| | | | | | |
|---|--|----------------------------|--|--|--------------------------------|
| THIS DRAWING IS A CONTROLLED DOCUMENT. | | DWN 11JUN2021 FRANK FAN |  TE Connectivity NAME 2 PIN LATCHED WIRE TO WIRE CONNECTOR PLUG ASSEMBLY | | |
| DIMENSIONS: mm | | CHK 11JUN2021 GEORGE FU | | | PRODUCT SPEC 108-137159 |
| TOLERANCES UNLESS OTHERWISE SPECIFIED: ±0.5 | | APVD 11JUN2021 MING SHI | | | APPLICATION SPEC 114-137159 |
| 0-PLC ± 1-PLC ± 2-PLC ± 3-PLC ± 4-PLC ± ANGLES ±1° | | WEIGHT 1.35g | | | RESTRICTED TO |
| MATERIAL - | | CUSTOMER DRAWING | | SIZE A300779 CAGE CODE C-2834048 DRAWING NO SCALE 3:1 SHEET 1 OF 3 REV BI | |

printed on 1 Jun 2021 08:59 (China Standard Time) from TE310617

THIS DRAWING IS UNPUBLISHED.

RELEASED FOR PUBLICATION

20

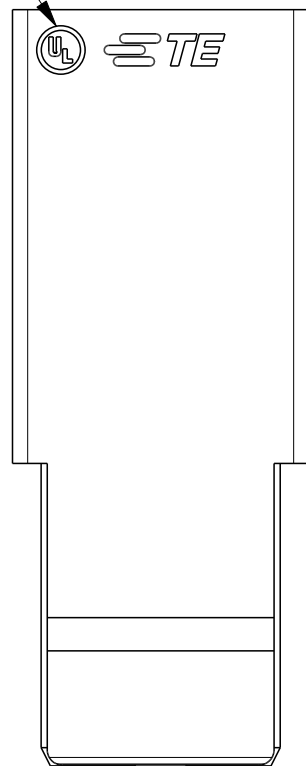
© COPYRIGHT 20 BY -

ALL RIGHTS RESERVED.

REVISIONS

| P | LTR | DESCRIPTION | DATE | DWN | APVD |
|---|-----|-------------|------|-----|------|
| | | SEE SHEET 1 | | | |
| | | | | | |
| | | | | | |
| | | | | | |

UL MARK



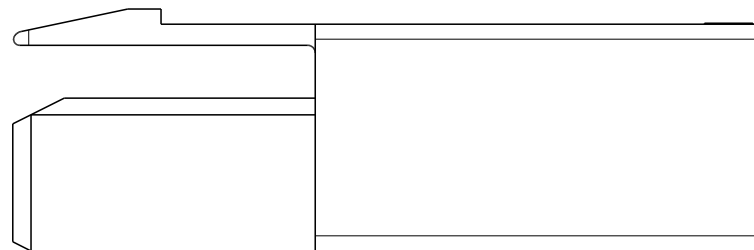
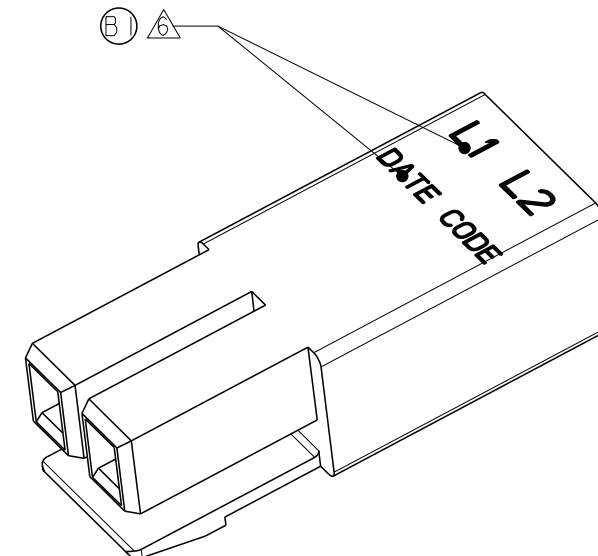
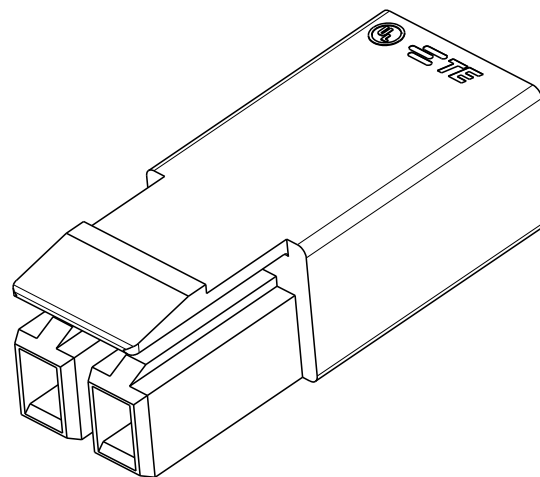
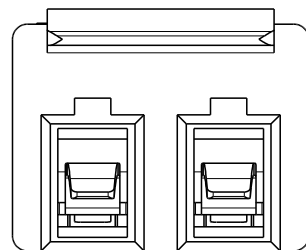
DATE CODE

YY WW X

YY=YEAR
EX: 16=2016

WW=WEEK
EX: 12=12

X=DAY
EX: 5=5



NOTE:

- PART NUMBER: SEE TABLE.
 - MATERIAL:
TERMINAL: COPPER ALLOY
HOUSING: THERMOPLASTIC, UL94-V0.
 - FINISH
TERMINAL: TIN PLATING OVERALL.
 - PACKAGING: PLASTIC BAG.
 - APPLICABLE WIRE:
SOLID: 18-22AWG.
STRANDED WIRE: 16-20 AWG(26 STRANDS MAX. FOR 16 AWG
16 STRANDS MAX. FOR 18AWG, 7 STRANDS MAX. FOR 20AWG.
(14AWG: 7 STRANDS, 16 AWG: 26 STRANDS, 18AWG: 16STRANDS)
- △ MARK APPROXIMATION LOCATION.

AS SHOWN: 1 - 2834048 - 1 / 2 / 3 / 4

| PART NUMBER | MATING SIDE P/N | PART COLOR |
|-------------|-----------------|------------|
| 1-2834048-4 | 4-2834049-4 | RED |
| 1-2834048-3 | 4-2834049-3 | ORANGE |
| 1-2834048-2 | 4-2834049-2 | BLACK |
| 1-2834048-1 | 4-2834049-1 | NATURAL |

| | | | | |
|--|--|---------------------------------|---|------------------------|
| THIS DRAWING IS A CONTROLLED DOCUMENT. | | DWN FRANK FAN 11 JUN 2021 | | |
| | | CHK GEORGE FU 11 JUN 2021 | | |
| DIMENSIONS: mm | | APVD MING SHI 11 JUN 2021 | NAME 2 PIN LATCHED WIRE TO WIRE CONNECTOR PLUG ASSEMBLY | |
| TOLERANCES UNLESS OTHERWISE SPECIFIED: ± 0.5 0-PLC ± 1-PLC ± 2-PLC ± 3-PLC ± 4-PLC ± ANGLES ±1° | | PRODUCT SPEC 108-137159 | SIZE A300779 | CAGE CODE C=2834048 |
| MATERIAL - | | APPLICATION SPEC 114-137159 | DRAWING NO | |
| FINISH - | | WEIGHT 1.35g | RESTRICTED TO | |
| | | CUSTOMER DRAWING | SCALE 3:1 | SHEET 2 OF 3 |
| | | | REV B1 | |

Printed on 11 Jun 2021 09:00 (China Standard Time) From LES10617

D

C

B

A

THIS DRAWING IS UNPUBLISHED.

RELEASED FOR PUBLICATION

20

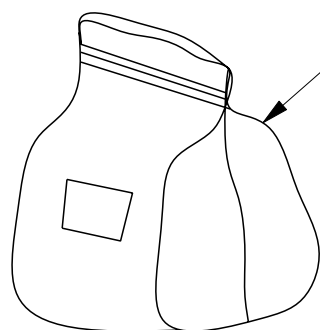
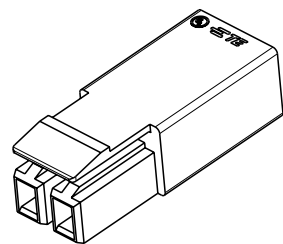
© COPYRIGHT 20

BY -

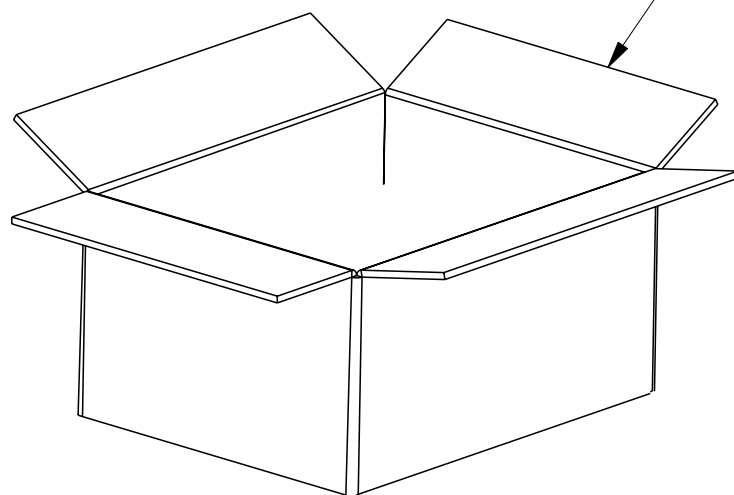
ALL RIGHTS RESERVED.

REVISIONS

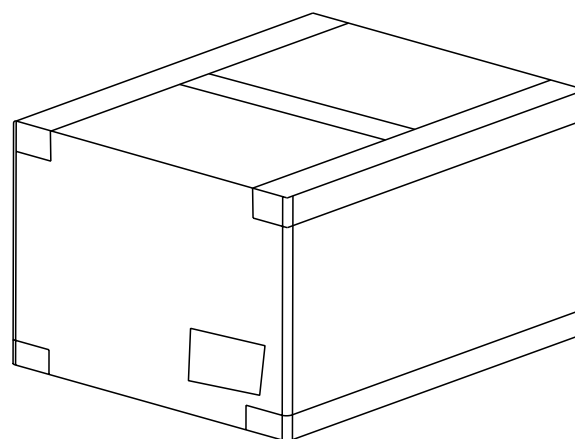
| P | LTR | DESCRIPTION | DATE | DWN | APVD |
|---|-----|-------------|------|-----|------|
| | - | SEE SHEET 1 | - | - | - |
| | | | | | |
| | | | | | |



PLASTIC BAG



CARTON



NOTE:
1. PACKAGING QUANTITY: SEE TABLE.

| PAIRS PER BAG | BAGS PER CARTON | PAIRS PER CARTON |
|---------------|-----------------|------------------|
| 500 | 8 | 4000 |

printed on 1 Jun 2021 08:59 (China Standard Time) from TE310617

| | | | | | | |
|--|--|--------------------------------|---|-----------|------------|---------------|
| THIS DRAWING IS A CONTROLLED DOCUMENT. | | DWN FRANK FAN 11JUN2021 | | | | |
| DIMENSIONS: mm | | CHK GEORGE FU 11JUN2021 | | | | |
| | | APVD MING SHI 11JUN2021 | | | | |
| TOLERANCES UNLESS OTHERWISE SPECIFIED: | | PRODUCT SPEC 108-137159 | NAME 2 PIN LATCHED WIRE TO WIRE CONNECTOR PLUG ASSEMBLY | | | |
| 0 PLC ± | | APPLICATION SPEC 114-137159 | SIZE | CAGE CODE | DRAWING NO | RESTRICTED TO |
| 1 PLC ± | | WEIGHT - | A300779 | | C=2834048 | |
| 2 PLC ± | | CUSTOMER DRAWING | | | | |
| 3 PLC ± | | SCALE 3:1 | SHEET 3 OF 3 | | REV B1 | |
| 4 PLC ± | | | | | | |
| ANGLES ± ° | | | | | | |
| MATERIAL - | | | | | | |
| FINISH - | | | | | | |

X-ON Electronics

Largest Supplier of Electrical and Electronic Components

Click to view similar products for [Lighting Connectors](#) category:

Click to view products by [TE Connectivity](#) manufacturer:

Other Similar products are found below :

[293300-7](#) [293660-5](#) [CNX_H03_NTP](#) [30-9767-BU](#) [3605](#) [3-21030-1](#) [ZCH-110-RGB-I](#) [503471-0290](#) [ZCH-110-RGB-J](#) [217-0716-200](#)
[1954563-1](#) [1-293657-2](#) [2834036-1](#) [2834037-1](#) [1-2213222-4](#) [2-2213222-4](#) [2213222-4](#) [2834122-3](#) [2834122-5](#) [2834135-2](#) [FLA-R4142-30](#)
[FLA-R4162-30](#) [FLA-R2142-30](#) [FLA-R2141-30](#) [FLA-R2162-30](#) [FLA-R2161-30](#) [FLA-R0161-30](#) [FLA-R0141-30](#) [FLA-R0142-30](#) [FLA-](#)
[R0162-30](#) [FLA-C00-00](#) [DGA00010553](#) [CNXV04NTP](#) [104128-0610](#) [503485-0000 \(Cut Strip\)](#) [503485-0000 \(Loose Piece\)](#) [503485-0000](#)
[\(MINI Reel\)](#) [1-2834074-2](#) [1-2834074-3](#) [1357-AC PLUG W2C \(CHINA\)](#) [1357-AC PLUG W2 \(USA\)](#) [104266-0110](#) [2106212-1](#) [2-2834074-2](#)
[104266-0210](#) [293470-1](#) [293651-2](#) [293651-4](#) [1-2834006-2](#) [293651-1](#)