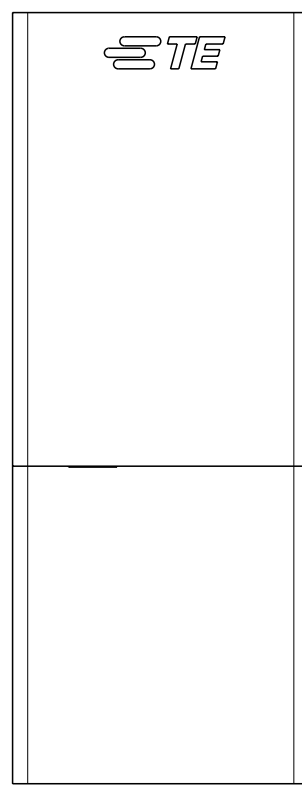
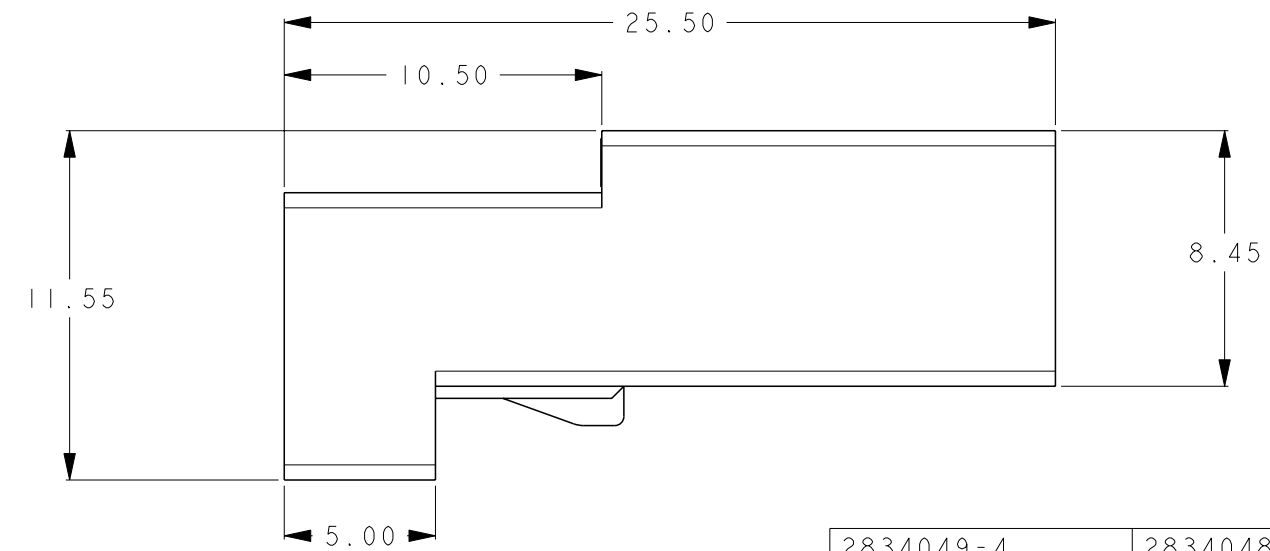
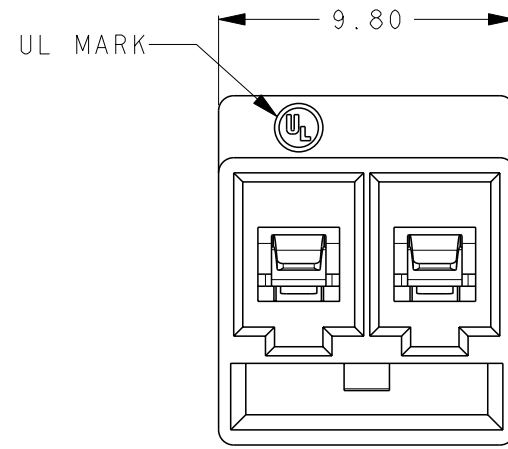
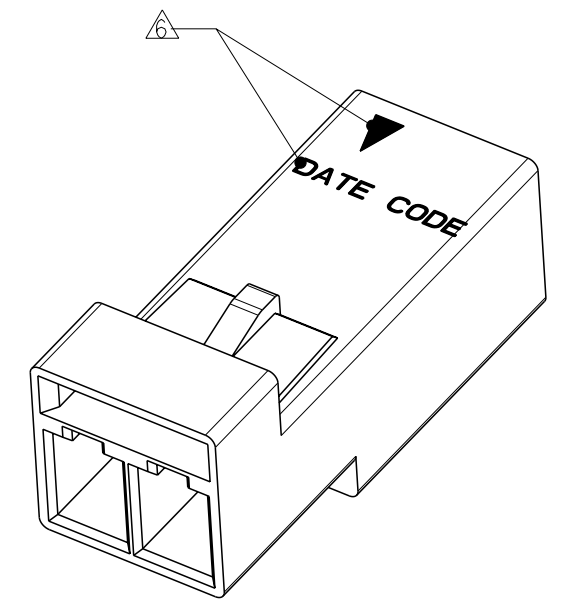
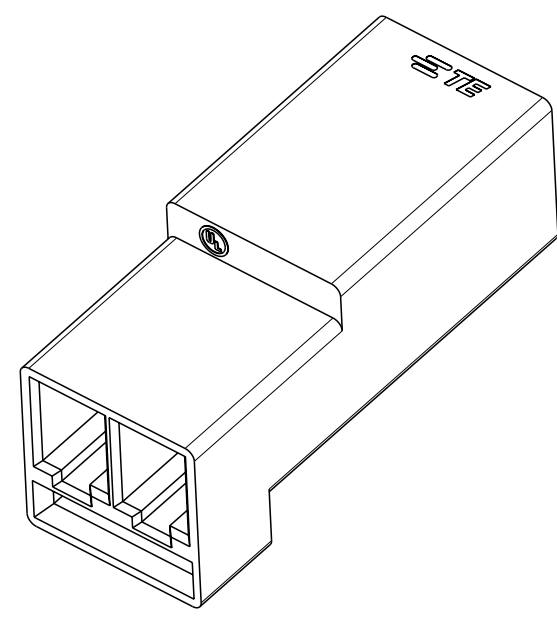


THIS DRAWING IS UNPUBLISHED. RELEASED FOR PUBLICATION 20  
 © COPYRIGHT 20 BY - ALL RIGHTS RESERVED.

P	LTR	DESCRIPTION	DATE	DWN	APVD
	A	INITIAL RELEASE	6JUN2016	Z.W	X.X
	B	ECR-18-009987	16JUL2018	Z.W	S.M
	BI	ECR-21-104905	11JUN2021	F.F	M.S



DATE CODE  
 YY WW X  
 ↑ ↑ ↑  
 YY=YEAR  
 EX: 15=2015  
 WW=WEEK  
 EX: 12=12  
 X=DAY  
 EX: 5=5



NOTE:  
 1. PART NUMBER: SEE TABLE.  
 2. MATERIAL:  
 TERMINAL: COPPER ALLOY  
 HOUSING: THERMOPLASTIC,UL94-V0.  
 3. FINISH  
 TERMINAL: TIN PLATING OVERALL.  
 4. PACKAGING: PLASTIC BAG.  
 5. APPLICABLE WIRE:  
 SOLID: 18-22AWG.  
 STRANDED WIRE: 16-20 AWG(26 STRANDS MAX. FOR 16 AWG  
 16 STRANDS MAX. FOR 18AWG, 7 STRANDS MAX. FOR 20AWG.  
 (14AWG: 7 STRANDS,16 AWG: 26 STRANDS, 18AWG:16STRANDS)  
 6 MARK APPROXIMATION LOCATION.

AS SHOWN: 2834049-1/2/3/4

2834049-4	2834048-4	RED
2834049-3	2834048-3	ORANGE
2834049-2	2834048-2	BLACK
2834049-1	2834048-1	NATURAL
PART NUMBER	MATING SIDE P/N	PART COLOR

THIS DRAWING IS A CONTROLLED DOCUMENT.		DWN	11JUN2021	 TE Connectivity	NAME 2 PIN LATCHED WIRE TO WIRE CONNECTOR PLUG ASSEMBLY
DIMENSIONS: mm		CHK	11JUN2021		
		APVD	11JUN2021		
TOLERANCES UNLESS OTHERWISE SPECIFIED: ±0.50		PRODUCT SPEC	108-137159		
MATERIAL		APPLICATION SPEC	114-137159	SIZE	A300779
		WEIGHT	1.65g	CAGE CODE	C-2834049
		CUSTOMER DRAWING		DRAWING NO	
				RESTRICTED TO	
				SCALE	2:1
				SHEET	1 OF 6
				REV	BI

printed on 1 Jun 2021 09:40 (China Standard Time) from TE310617

THIS DRAWING IS UNPUBLISHED.

RELEASED FOR PUBLICATION

20

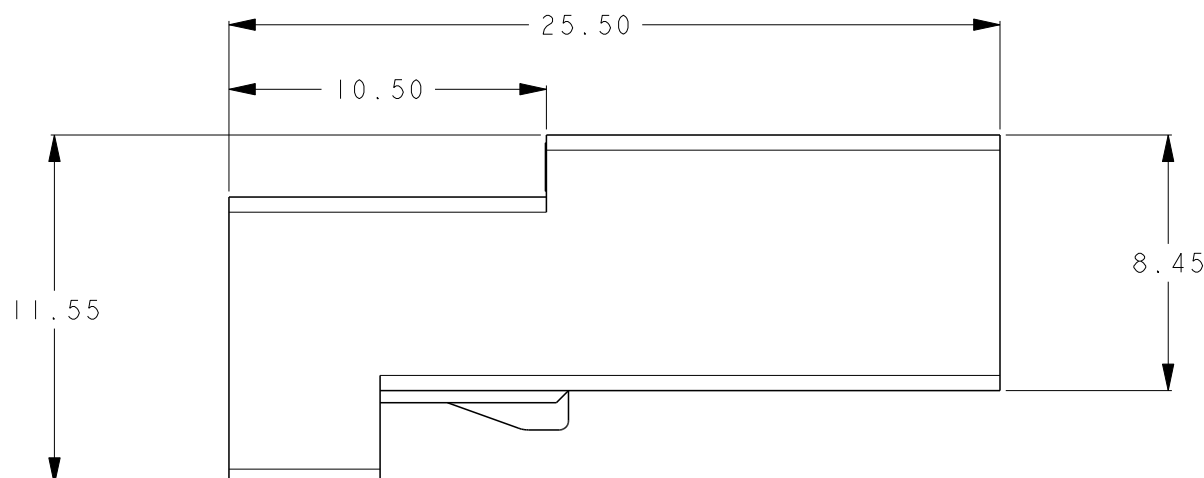
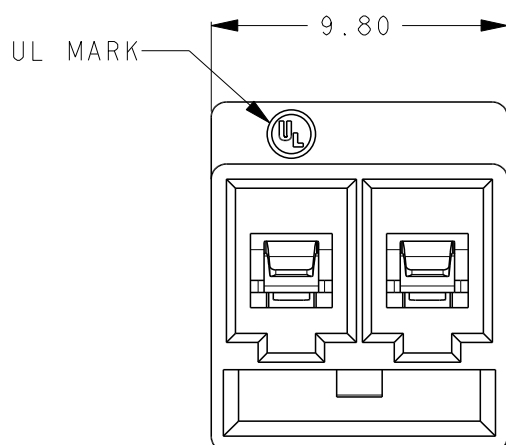
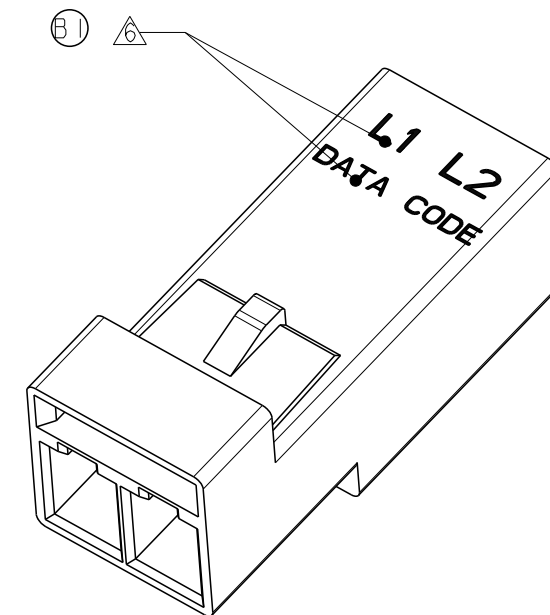
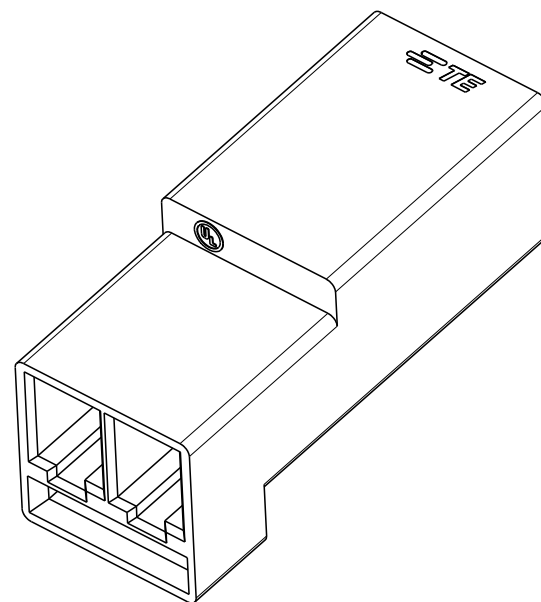
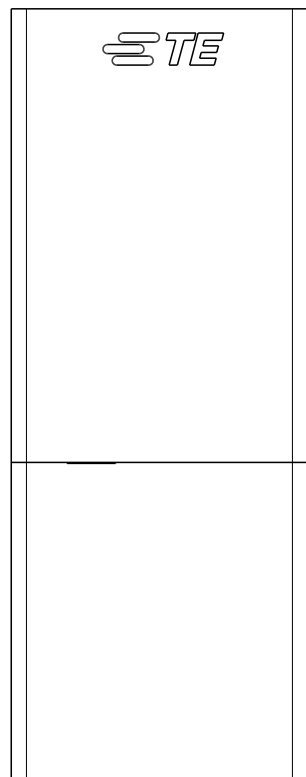
© COPYRIGHT 20 BY -

ALL RIGHTS RESERVED.

REVISIONS

P	LTR	DESCRIPTION	DATE	DWN	APVD
		SEE SHEET 1			


DATE CODE  
 YY WW X  
 ↑ ↑ ↑  
 YY=YEAR  
 EX: 15=2015  
 WW=WEEK  
 EX: 12=12  
 X=DAY  
 EX: 5=5



- NOTE:
- PART NUMBER: SEE TABLE.
  - MATERIAL:  
 TERMINAL: COPPER ALLOY  
 HOUSING: THERMOPLASTIC, UL94-V0.
  - FINISH  
 TERMINAL: TIN PLATING OVERALL.
  - PACKAGING: PLASTIC BAG.
  - APPLICABLE WIRE:  
 SOLID: 18-22AWG.  
 STRANDED WIRE: 16-20 AWG(26 STRANDS MAX. FOR 16 AWG  
 16 STRANDS MAX. FOR 18AWG, 7 STRANDS MAX. FOR 20AWG.  
 (14AWG: 7 STRANDS, 16 AWG: 26 STRANDS, 18AWG:16STRANDS)
- ⚠ MARK APPROXIMATION LOCATION.

AS SHOWN: 4 - 2834049 - 1 / 2 / 3 / 4

4-2834049-4	1-2834048-4	RED
4-2834049-3	1-2834048-3	ORANGE
4-2834049-2	1-2834048-2	BLACK
4-2834049-1	1-2834048-1	NATURAL
PART NUMBER	MATING SIDE P/N	PART COLOR

THIS DRAWING IS A CONTROLLED DOCUMENT.		DWN FRANK FAN 11 JUN 2021	 TE Connectivity													
DIMENSIONS: mm		CHK GEORGE FU 11 JUN 2021														
TOLERANCES UNLESS OTHERWISE SPECIFIED: ± 0.50		APVD MING SHI 11 JUN 2021	NAME 2 PIN LATCHED WIRE TO WIRE CONNECTOR PLUG ASSEMBLY													
<table border="1"> <tr><td>0-PLC</td><td>±</td></tr> <tr><td>1-PLC</td><td>±</td></tr> <tr><td>2-PLC</td><td>±</td></tr> <tr><td>3-PLC</td><td>±</td></tr> <tr><td>4-PLC</td><td>±</td></tr> <tr><td>ANGLES</td><td>±1°</td></tr> </table>		0-PLC	±	1-PLC	±	2-PLC	±	3-PLC	±	4-PLC	±	ANGLES	±1°	PRODUCT SPEC 108-137159	DRAWING NO C-2834049	
0-PLC	±															
1-PLC	±															
2-PLC	±															
3-PLC	±															
4-PLC	±															
ANGLES	±1°															
MATERIAL -		APPLICATION SPEC 114-137159	SIZE A300779	RESTRICTED TO												
FINISH -		WEIGHT 1.65g	CAGE CODE C-2834049													
CUSTOMER DRAWING			SCALE 2:1	SHEET 2 OF 6												
			REV B1													

Printed on 11 Jun 2021 09:40 (China Standard Time) from 1E310617

THIS DRAWING IS UNPUBLISHED.

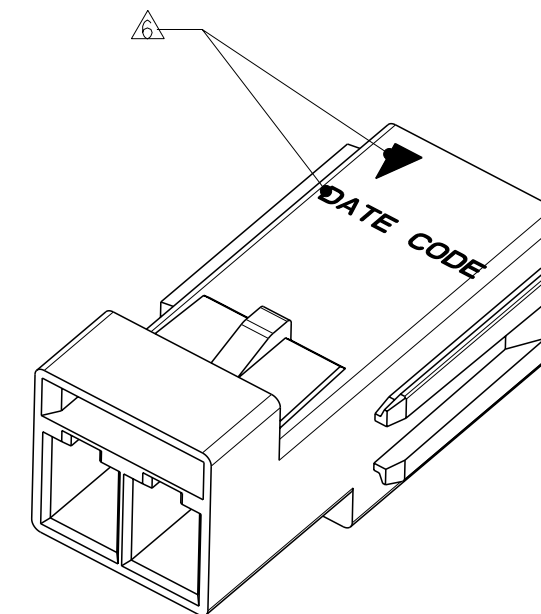
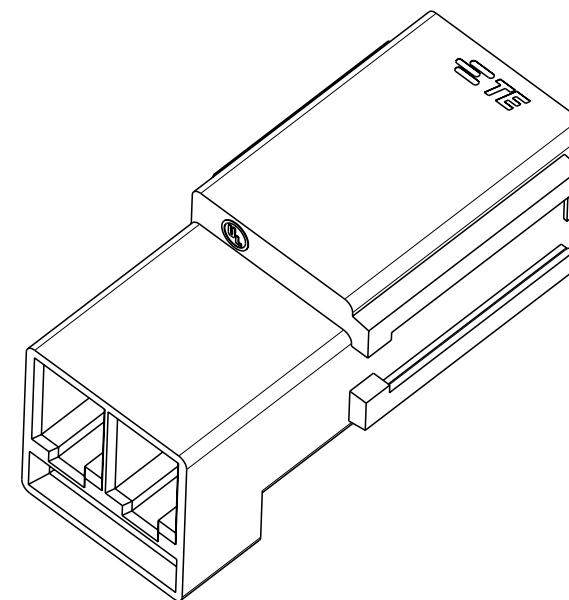
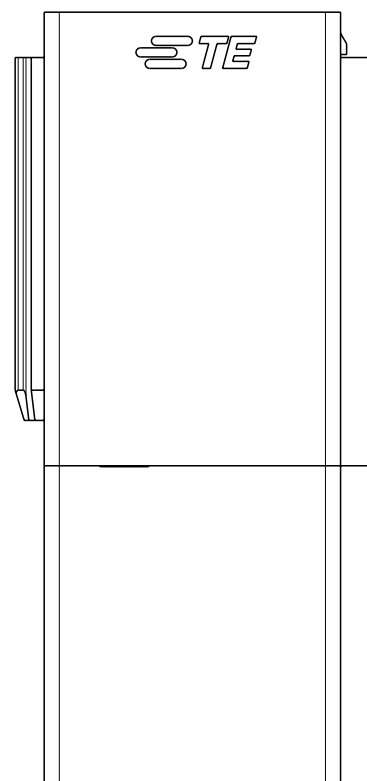
RELEASED FOR PUBLICATION

20

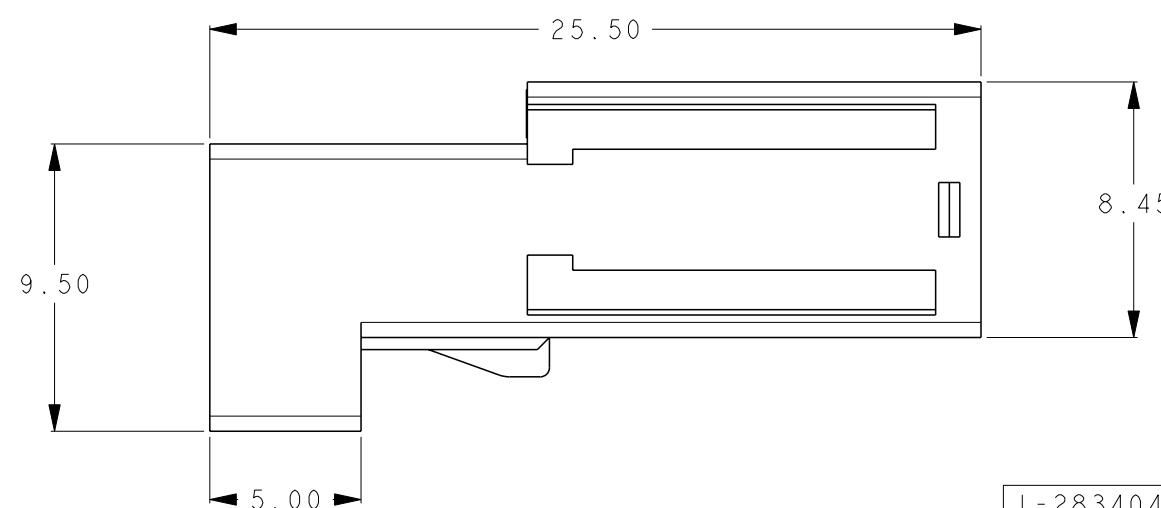
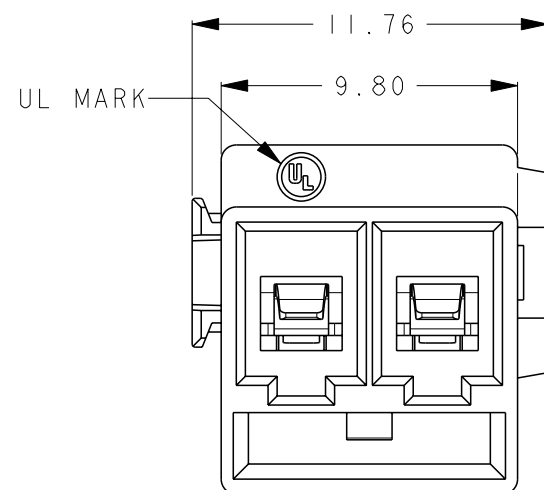
REVISIONS

© COPYRIGHT 20 BY - ALL RIGHTS RESERVED.

P	LTR	DESCRIPTION	DATE	DWN	APVD
		SEE SHEET 1			




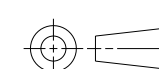
DATE CODE  
 YY WW X  
 ↑ ↑ ↑  
 YY=YEAR  
 EX: 15=2015  
 WW=WEEK  
 EX: 12=12  
 X=DAY  
 EX: 5=5



I-2834049-4	RED
I-2834049-3	ORANGE
I-2834049-2	BLACK
I-2834049-1	NATURAL
PART NUMBER	PART COLOR

AS SHOWN: 1-2834049-1/2/3/4

- NOTE:
- PART NUMBER: SEE TABLE.
  - MATERIAL:  
 TERMINAL: COPPER ALLOY  
 HOUSING: THERMOPLASTIC, UL94-V0.
  - FINISH  
 TERMINAL: TIN PLATING OVERALL.
  - PACKAGING: PLASTIC BAG.
  - APPLICABLE WIRE:  
 SOLID: 18-22AWG.  
 STRANDED WIRE: 16-20 AWG(26 STRANDS MAX. FOR 16 AWG  
 16 STRANDS MAX. FOR 18AWG, 7 STRANDS MAX. FOR 20AWG.  
 (14AWG: 7 STRANDS, 16 AWG: 26 STRANDS, 18AWG: 16STRANDS)
- △ MARK APPROXIMATION LOCATION.

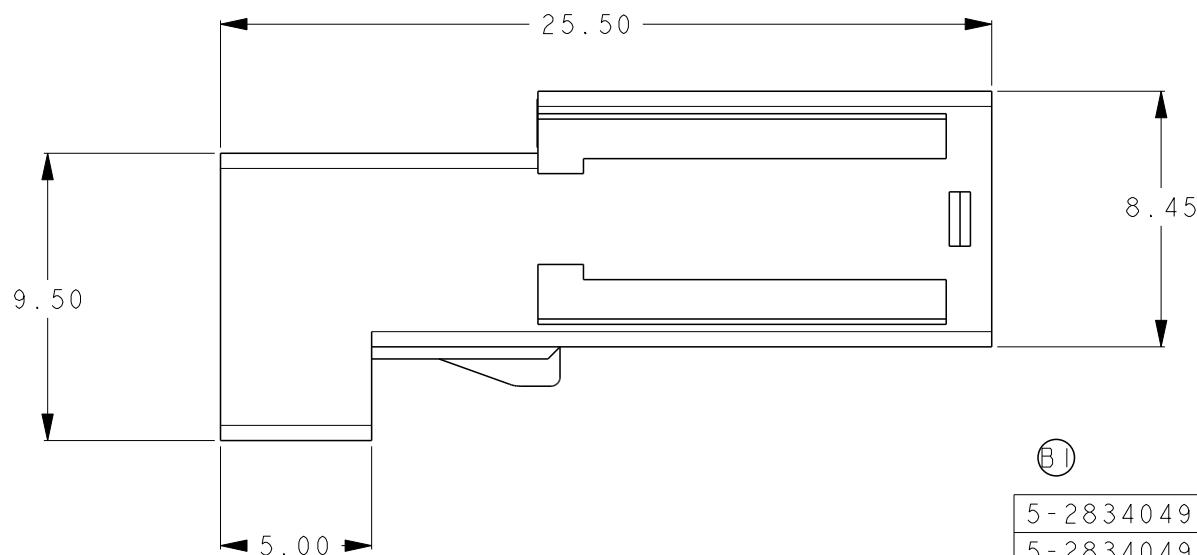
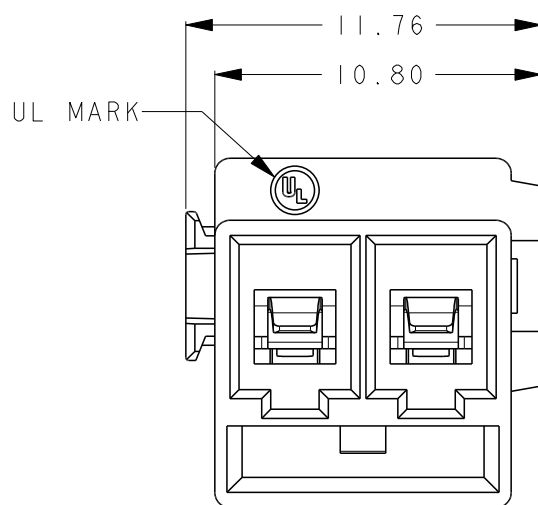
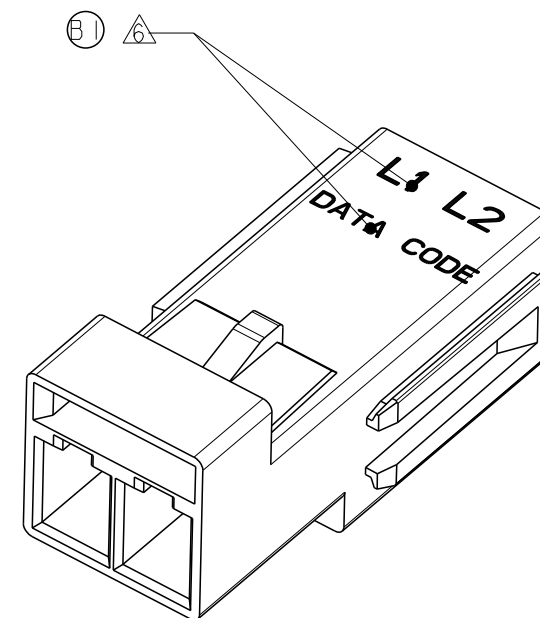
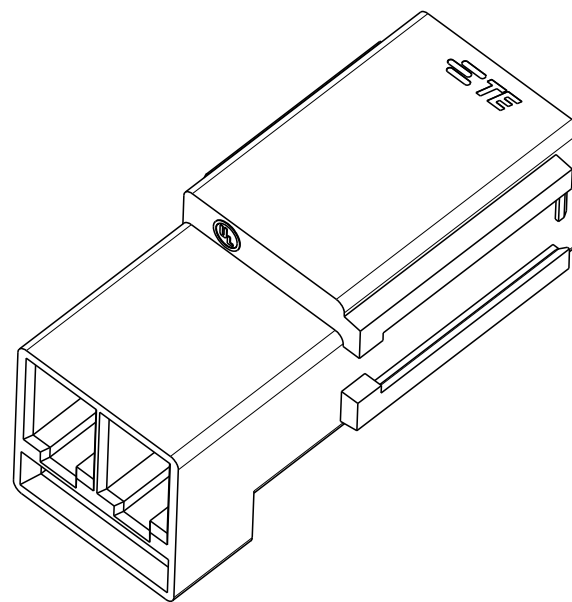
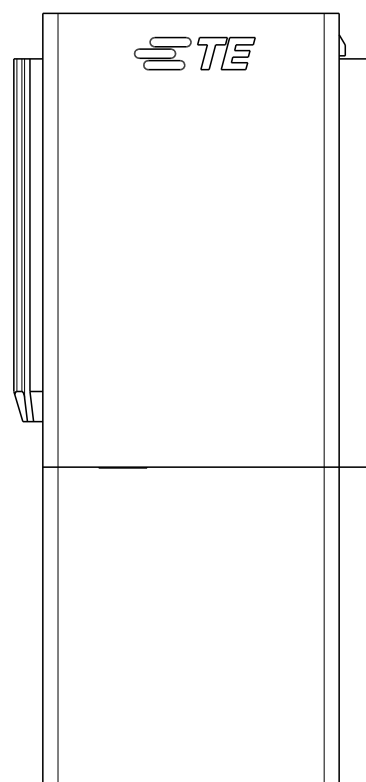
THIS DRAWING IS A CONTROLLED DOCUMENT.		DWN FRANK FAN 11 JUN 2021	 TE Connectivity	
DIMENSIONS: mm		CHK GEORGE FU 11 JUN 2021		
TOLERANCES UNLESS OTHERWISE SPECIFIED: ±0.50		APVD MING SHI 11 JUN 2021	NAME 2 PIN WIRE TO WIRE CONNECTOR PLUG ASSEMBLY	
		PRODUCT SPEC 108-137159	RESTRICTED TO	
MATERIAL -		FINISH -	APPLICATION SPEC 114-137159	SIZE A300779
		WEIGHT 1.71g	CAGE CODE C-2834049	DRAWING NO C-2834049
		CUSTOMER DRAWING	SCALE 2:1	SHEET 3 OF 6
				REV B1

printed on 1 Jun 2021 09:40 (China Standard Time) from TE310617

REVISIONS

P	LTR	DESCRIPTION	DATE	DWN	APVD
		SEE SHEET 1			

DATE CODE  
 YY WW X  
 ↑ ↑ ↑  
 YY=YEAR  
 EX: 15=2015  
 WW=WEEK  
 EX: 12=12  
 X=DAY  
 EX: 5=5


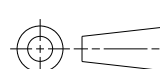


AS SHOWN : 5-2834049-1/2/3/4

NOTE:

- PART NUMBER: SEE TABLE.
  - MATERIAL:  
 TERMINAL: COPPER ALLOY  
 HOUSING: THERMOPLASTIC, UL94-V0.
  - FINISH  
 TERMINAL: TIN PLATING OVERALL.
  - PACKAGING: PLASTIC BAG.
  - APPLICABLE WIRE:  
 SOLID: 18-22AWG.  
 STRANDED WIRE: 16-20 AWG(26 STRANDS MAX. FOR 16 AWG  
 16 STRANDS MAX. FOR 18AWG, 7 STRANDS MAX. FOR 20AWG.  
 (14AWG: 7 STRANDS, 16 AWG: 26 STRANDS, 18AWG: 16STRANDS)
- △ MARK APPROXIMATION LOCATION.

5-2834049-4	RED
5-2834049-3	ORANGE
5-2834049-2	BLACK
5-2834049-1	NATURAL
PART NUMBER	PART COLOR

THIS DRAWING IS A CONTROLLED DOCUMENT.		DWN FRANK FAN 11 JUN 2021	 TE Connectivity	
DIMENSIONS: mm		CHK GEORGE FU 11 JUN 2021		
TOLERANCES UNLESS OTHERWISE SPECIFIED: ± 0.50		APVD MING SHI 11 JUN 2021	NAME 2 PIN WIRE TO WIRE CONNECTOR PLUG ASSEMBLY	
		PRODUCT SPEC 108-137159	RESTRICTED TO	
MATERIAL -		APPLICATION SPEC 114-137159	SIZE A300779	DRAWING NO C=2834049
FINISH -		WEIGHT 1.71g	CAGE CODE -	SCALE 2:1
		CUSTOMER DRAWING	SHEET 4 OF 6	REV B1

Printed on 11 Jun 2021 09:41 (China Standard Time) From 1E310617

THIS DRAWING IS UNPUBLISHED.

RELEASED FOR PUBLICATION

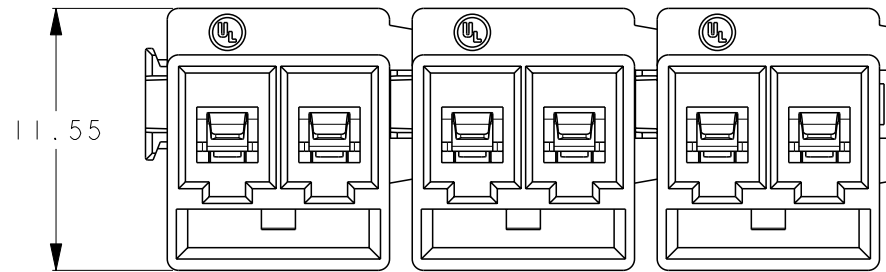
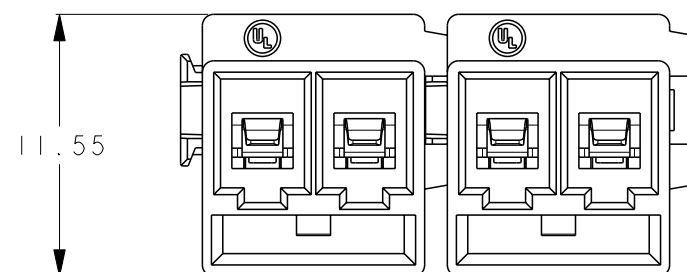
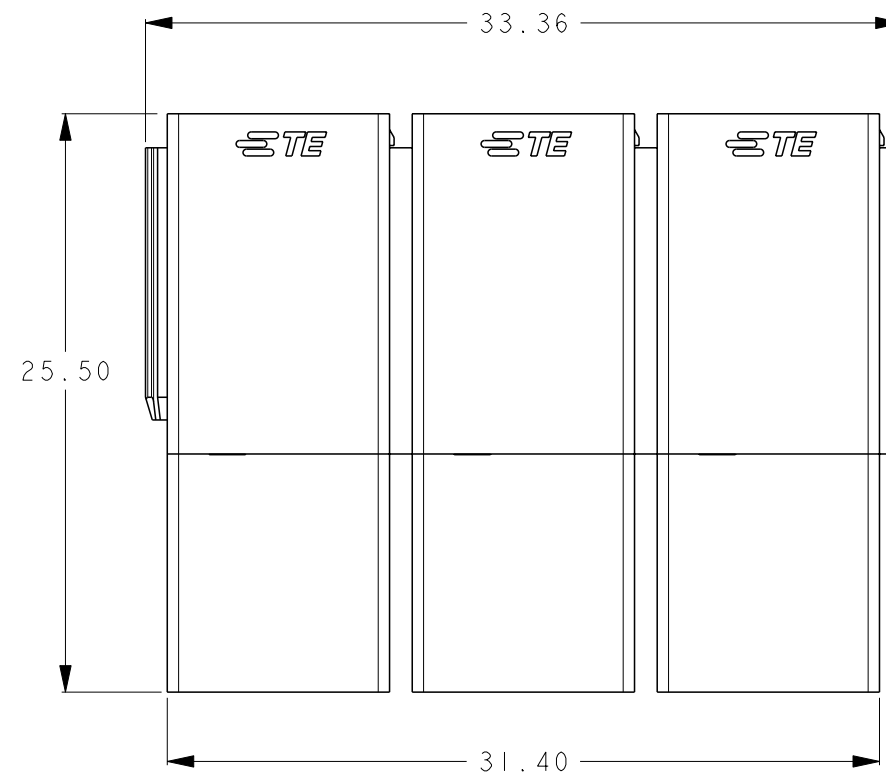
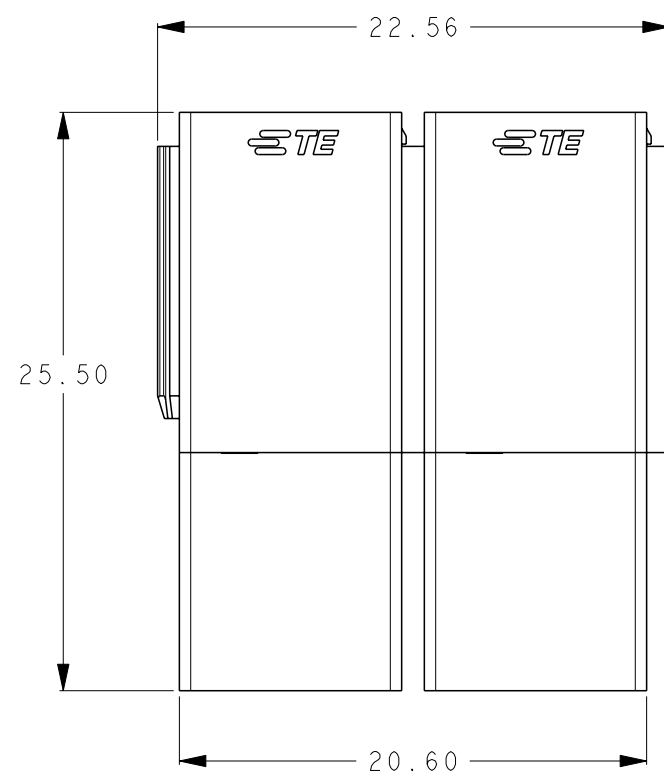
20

© COPYRIGHT 20 BY -

ALL RIGHTS RESERVED.

REVISIONS

P	LTR	DESCRIPTION	DATE	DWN	APVD
		SEE SHEET 1			



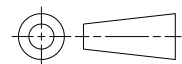
P/N: 2-2834049-1/2/3

P/N: 3-2834049-1/2

3-2834049-2	2P+2P+2P	ORANGE+BLACK+RED
3-2834049-1	MODULAR	NATURAL+BLACK+RED
2-2834049-3	2P+2P MODULAR	ORANGE+ORANGE
2-2834049-2		BLACK+RED
2-2834049-1		NATURAL+BLACK
PART NUMBER	DESCRIPTION	PART COLOR

THIS DRAWING IS A CONTROLLED DOCUMENT.

DIMENSIONS:  
mm



TOLERANCES UNLESS OTHERWISE SPECIFIED:  
± 0.50

0-PLC ±  
1-PLC ±  
2-PLC ±  
3-PLC ±  
4-PLC ±  
ANGLES ±1°

MATERIAL  
-

FINISH  
-

DWN 11JUN2021

FRANK FAN

CHK 11JUN2021

GEORGE FU

APVD 11JUN2021

MING SHI

PRODUCT SPEC

108-137159

APPLICATION SPEC

114-137159

WEIGHT

-

CUSTOMER DRAWING



TE Connectivity

NAME  
2 PIN WIRE TO WIRE CONNECTOR  
PLUG ASSEMBLY

SIZE CAGE CODE DRAWING NO RESTRICTED TO

A300779 C-2834049

SCALE 2:1 SHEET 5 OF 6 REV B1

printed on 1 Jun 2021 09:40 (China Standard Time) from TE310617

A

A

D

D

C

B

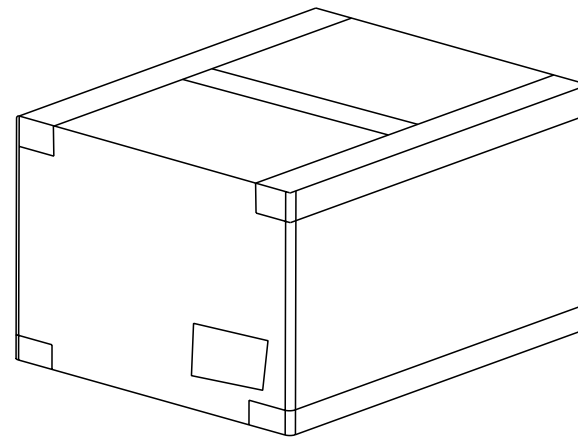
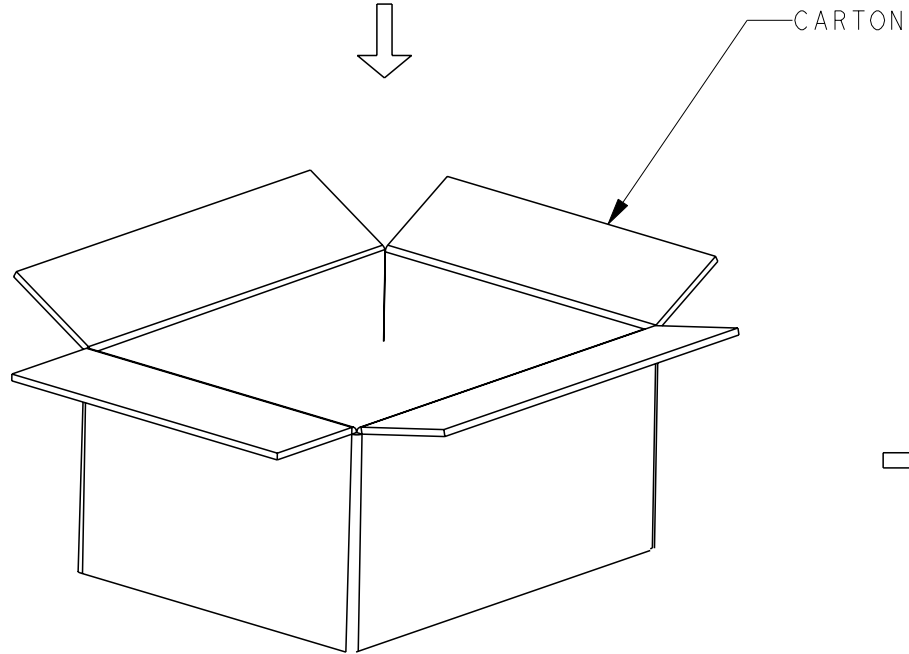
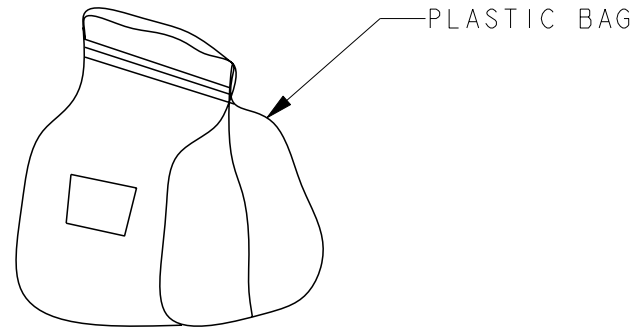
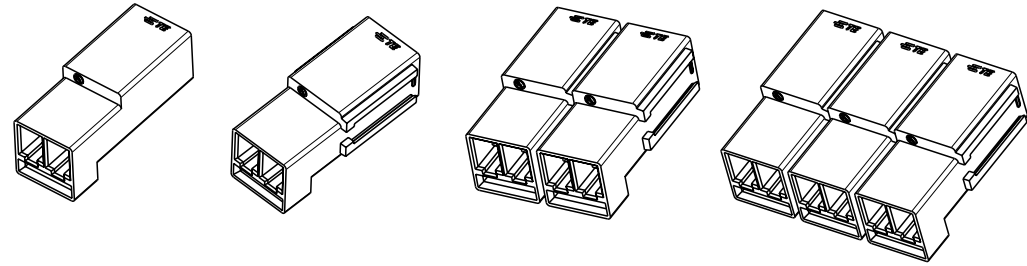
THIS DRAWING IS UNPUBLISHED.

RELEASED FOR PUBLICATION

20

© COPYRIGHT 20 BY -

ALL RIGHTS RESERVED.



REVISIONS

P	LTR	DESCRIPTION	DATE	DWN	APVD
-	-	SEE SHEET 1	-	-	-

NOTE:  
1. PACKAGING QUANTITY: SEE TABLE.

PART NUMBER	PAIRS PER BAG	BAGS PER CARTON	PAIRS PER CARTON
2834049-*	500	8	4000

PART NUMBER	PAIRS PER BAG	BAGS PER CARTON	PAIRS PER CARTON
1-2834049-*	500	8	4000

PART NUMBER	PAIRS PER BAG	BAGS PER CARTON	PAIRS PER CARTON
2-2834049-*	300	8	2400

PART NUMBER	PAIRS PER BAG	BAGS PER CARTON	PAIRS PER CARTON
3-2834049-*	200	8	1600

PART NUMBER	PAIRS PER BAG	BAGS PER CARTON	PAIRS PER CARTON
4-2834049-*	500	8	4000

PART NUMBER	PAIRS PER BAG	BAGS PER CARTON	PAIRS PER CARTON
5-2834049-*	500	8	4000

THIS DRAWING IS A CONTROLLED DOCUMENT.

DIMENSIONS:	TOLERANCES UNLESS OTHERWISE SPECIFIED:
mm	
	0 PLC ±
	1 PLC ±
	2 PLC ±
	3 PLC ±
	4 PLC ±
	ANGLES ± 1°
MATERIAL	FINISH
-	-
-	-

DWN	FRANK FAN	11JUN2021
CHK	GEORGE FU	11JUN2021
APVD	MING SHI	11JUN2021
PRODUCT SPEC	108-137159	
APPLICATION SPEC	114-137159	
WEIGHT	-	
CUSTOMER DRAWING		



NAME  
2 PIN WIRE TO WIRE CONNECTOR  
PLUG ASSEMBLY

SIZE	CAGE CODE	DRAWING NO	RESTRICTED TO
A3	00779	C-2834049	

SCALE	2:1	SHEET	6 OF 6	REV	B1
-------	-----	-------	--------	-----	----

printed on 1 Jun 2021 09:40 (China Standard Time) from TE310617

## X-ON Electronics

Largest Supplier of Electrical and Electronic Components

*Click to view similar products for [Lighting Connectors](#) category:*

*Click to view products by [TE Connectivity](#) manufacturer:*

Other Similar products are found below :

[293300-7](#) [293660-5](#) [CNX\\_H03\\_NTP](#) [30-9767-BU](#) [3605](#) [3-21030-1](#) [ZCH-110-RGB-I](#) [503471-0290](#) [ZCH-110-RGB-J](#) [217-0716-200](#)  
[1954563-1](#) [1-293657-2](#) [2834036-1](#) [2834037-1](#) [1-2213222-4](#) [2-2213222-4](#) [2213222-4](#) [2834122-3](#) [2834122-5](#) [2834135-2](#) [FLA-R4142-30](#)  
[FLA-R4162-30](#) [FLA-R2142-30](#) [FLA-R2141-30](#) [FLA-R2162-30](#) [FLA-R2161-30](#) [FLA-R0161-30](#) [FLA-R0141-30](#) [FLA-R0142-30](#) [FLA-](#)  
[R0162-30](#) [FLA-C00-00](#) [DGA00010553](#) [CNXV04NTP](#) [104128-0610](#) [503485-0000 \(Cut Strip\)](#) [503485-0000 \(Loose Piece\)](#) [503485-0000](#)  
[\(MINI Reel\)](#) [1-2834074-2](#) [1-2834074-3](#) [1357-AC PLUG W2C \(CHINA\)](#) [1357-AC PLUG W2 \(USA\)](#) [104266-0110](#) [CNXV02NTP](#) [2106212-1](#)  
[2-2834074-2](#) [104266-0210](#) [293470-1](#) [293651-2](#) [293651-4](#) [1-2834006-2](#)